



- ▶ EN ELECTRIC CLEANER
- ▶ ES LIMPIAFONDOS ELÉCTRICO
- ▶ FR NETTOYEUR DE FOND ÉLECTRIQUE
- ▶ DE ELEKTROBECKENREINIGER
- ▶ IT PULITORE ELETTRICO
- ▶ NL ELEKTRISCHE ZWEMBADREINIGER
- ▶ PT LIMPAFUNDOS ELÉCTRICO



Instruction Manual - Manual de Instrucciones Manuel d'instructions - Bedienungsanleitung Manuale delle istruzioni - Handleiding met instructies Manual de instruções

We reserve to change all of part of the articles or contents of this document, without prior notice.

Nos reservamos el derecho de cambiar total o parcialmente las características de nuestros artículos o contenido de este documento sin previo aviso.

Nous nous réservons le droit de modifier totalement ou en partie les caractéristiques de nos articles ou le contenu de ce document sans préavis.

Wir behalten uns das recht vor die eigenschaften unserer produkte oder den inhalt diese prospektes teilweise oder wollstanding, ohne vorherige benachichtigung su andern.

Ci riservamo il diritto di cambiare totalmente o parzialmente le caratteristiche tecniche dei nostri prodotti ed il contenuto di questo documento senza nessun preavviso.

Wij behouden ons het recht voor geheel of gedeeltelijk de kenmerken van onze artikelen of de inhoud van deze handleiding zonder voorafgaand bericht te wijzigen.

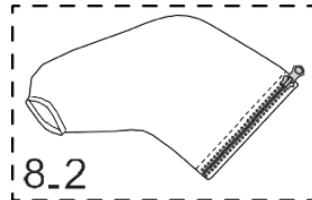
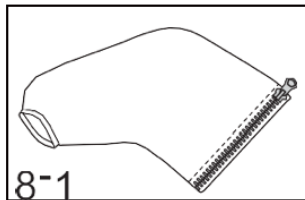
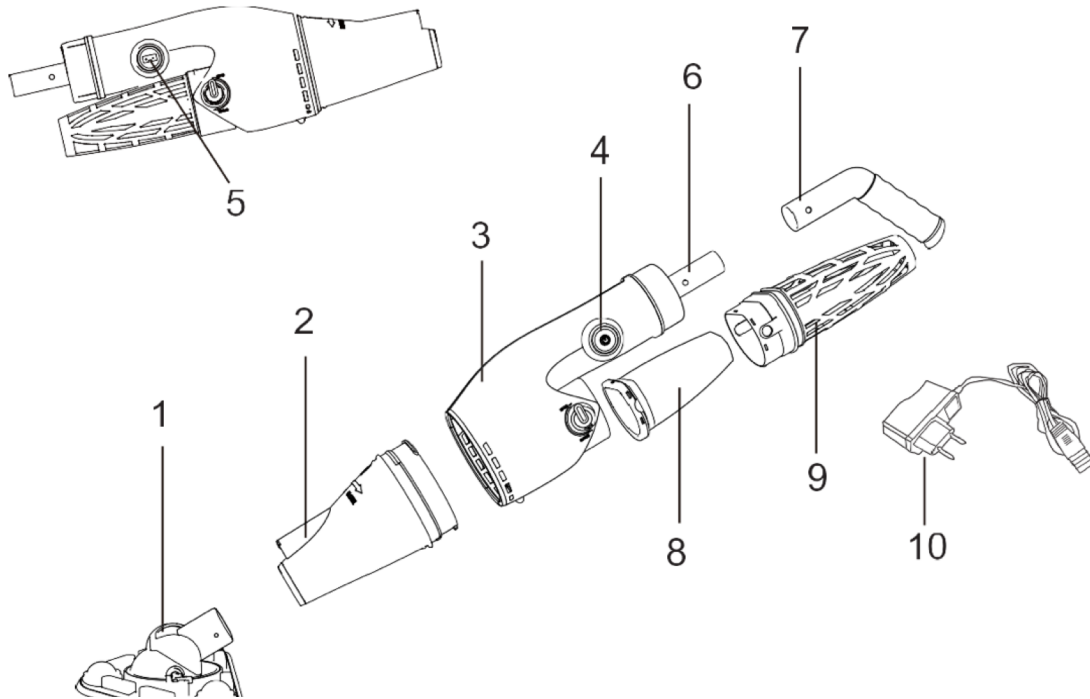
Reservamo-nos no direito de alterar, total ou parcialmente as características os nossos artigos ou o conteúdo deste documento sem aviso prévio.

DISTRIBUTED BY / DISTRIBUIDO POR / DISTRIBUÉ PAR / VERTRIEB DURCH / DISTRIBUITO DA / DISTRIBUÍDO POR:

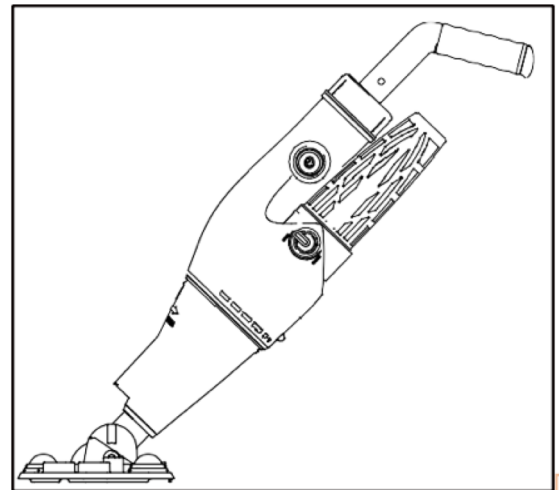
MANUFACTURAS GRE, S.A. ARITZ BIDEA N° 57 BELAKO INDUSTRIALDEA, APARTADO 69 - 48100 MUNGUIA (VIZCAYA) ESPAÑA N° Reg. Ind. 48-06762

MADE IN CHINA / FABRICADO EN CHINA / FABRIQUÉ AU CHINE / HERGESTELLT IN CHINA / PRODOTTO IN CHINA / FABRICADO NA RPC

Electrical Vacuum Cleaner



Battery: 11.1 V DC, 5000 mAh
Charging voltage : 12.6V DC, 1000mAh
Motor Voltage : 12 V DC



1. Handle
2. Standard filter bag
 - 2.1 Small micro filter bag
 - 2.2 Bigger micro bag
(optional, no tinto the shipment)
3. Basket
4. Charger

5. Suction head
6. Transparent suction head part
7. Cleaner body
8. Button
9. Charging hole
10. Connector

SAFETY WARNINGS & INSTRUCTIONS

Read and follow all instructions in this manual and on the equipment. Failure to do it, could result in severe or fatal injury.

WARNING!

- This appliance can be used by children aged from 12 years and above and persons with reduced physical, sensory or mental capabilities or lack of experience and knowledge if they have been given supervision or instruction concerning use of the appliance in a safe way and understand the hazards involved. Children shall not play with the appliance. Cleaning and user maintenance shall not be made by children
- without supervision. The appliance is only to be used with the power supply unit provided with the appliance.
- It is not a TOY. Children should be supervised to ensure that they do not play with cleaner and its accessories. Never allow children to operate this product. Keep this cleaner and its accessories away from children.
- Be sure the cleaner is fully immersed in the water before operation. It stop work automatically as soon as out of water.
- Maximum operating depth in water: 3 meters (10ft).
- Operating water temperature: 4 C(39.2 F)-35 C(95° F).
- DO NOT use this cleaner if any damage is found.
- It is necessary to change parts or assemblies as quickly as possible if they become damaged. Only use parts certified by the distributor or manufacturer.
- Detach the cleaner from charger and make sure the cleaner is power off before operating the product.
- DO NOT operate the cleaner when people/pets are in the water.
- Risk of Suction Entrapment Hazard. This cleaner generates suction. Avoid hair, body or any loose parts of your clothing to contact with the suction hole of the cleaner in operation.
- Never insert body parts, clothing or other objects into openings and moving parts of the cleaner.
- DO NOT use this cleaner to pick up any toxic substance, flammable or combustible liquids such as gasoline, or operate in the presence of explosive or flammable fumes.
- Never attempt in any way to disassemble your cleaner on your own.
- Under no circumstances should you attempt to disassemble the cleaner and replace the impeller, motor by yourself.

Charger

Use the original the charger provided only.

For indoor use only. The charger should not be used outdoor and not be exposed to rain, humidity, any liquid or heat.

Keep the charger out of reach of children.

Never use the charger if any damage is found.

DONOT handle the charger with wet hands.

DONOT handle the cleaner, the charger while charging with wethands and without shoes.

Disconnect the charger from power when not in use.

If the supply cord is damaged, it must be replaced by the manufacturer or its service agent or a similarly qualified person in order to avoid a hazard.

Make sure the cleaner and charger are totally dry before charging.

CAUTION!

This cleaner is designed for underwater use only, not for use as an all-purpose vacuum cleaner.

DO NOT attempt to use it to clean anything other than your pool/spa.

Use original accessories delivered with this product.

It is not recommended to use this cleaner with another cleaner simultaneously.

Avoid picking up sharp objects with this product, they may damage the cleaner and filter.

Charge the cleaner indoor in a clean, dry place with good ventilation.

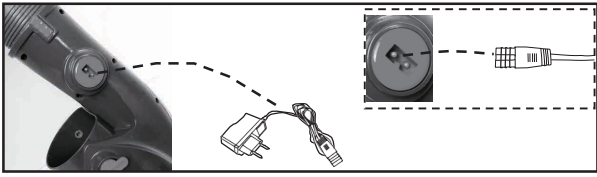
If the cleaner is not to be used for an extended period, detach it from the charger, use dry cloth to clean and dry the cleaner and accessories. Store them in a well ventilated area away from the sunlight, children, heat, ignition sources and pool chemicals. Never leave the cleaner plugged for long term storage. Recharge the cleaner every three months.

If you do not use the transparent body part, you should take it off the electric cleaner.

Above warning and cautions are not intended to incorporate all possible instances for risks and/or severe injury. Pool/spa owners should always exercise intensive caution and common sense when operating the cleaner.

GETTING STARTED

1. Charger set up

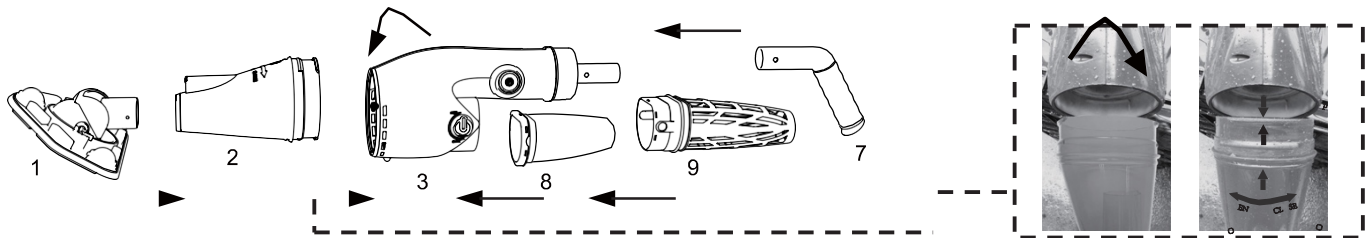


Note: This product can work only under water, if out of water, it will stop working.

NOTE: Charge the cleaner 5-6 hours prior to the first use. Normally cleaner can be operated 90 minutes after fully charged.

- (1) Plug one end of the charger into the socket, and the charger is green.
- (2) Then, plug one end of charger to VCB50, the charger is red, the charger is working now.
- (3) After charging 5-6 hours, the charger becomes green, and VCB50 is fully charged.
- (4) Now, it is time to work

2. Handle assembly

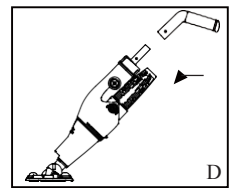
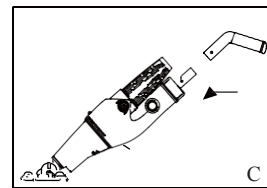
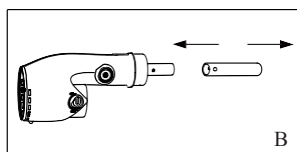
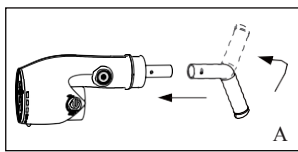


By arrow direction to assemble the body parts, and attention the SIGN from Open to Close.

(1). Portable handle
Connection into the product itself. The portable handle is used to pick up VCB50 and clean the wall, step, seat, corner. Fig[A]

(2). Telescopic pole (not included) assembly
VCB50 can also connect to standard telescopic poles by pictures. Fig[B]

(3). If needed, the pole can be installed in the direction as the picture "C" and "D".



3. Suction head assembly

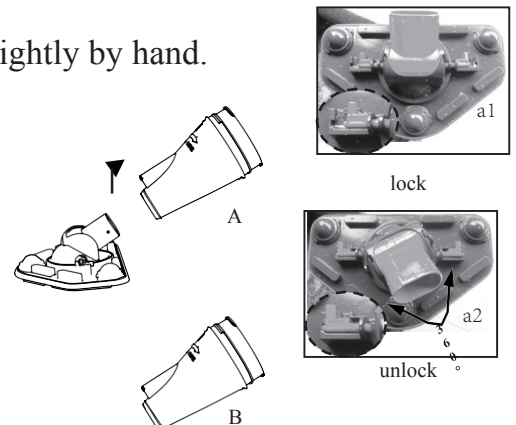
Insert the Suction Head directly to the suction hole of the cleaner tightly by hand.

In order to have the better suction effect, please operate the electric cleaner as the following instructions:

(1) Insert the suction head when suction the small pebbles and leaves, as the picture "A" shows.

NOTE: The Vacuum head can be lock and unlock, When the vacuum head is not locked, it can be rotated in 360 degrees and make the cleaning work more conveniently. Fig[a1][a2]

(2) No need to insert the suction head onto the electric cleaner when suction the stones and other large garbage and so on, as the picture "B" shows.



Brushes on the suction head can be removed by pulling out directly from the head.

For Vinyl, liner and fibreglass pools, it is recommended to keep the brushes on the suction head to prevent damage to your pool.

4. Filter bag assembly

4.1 How to choose the filter bag

(1). Standard filter bag

It is used for the daily pools cleaning, for leaves, hairs, trees, fruits.

(2). Small micro filter bag

It is used for small debris, such as dusts, muds.

(3). Bigger micro filter bag (it is optional, needs to buy it seperately)

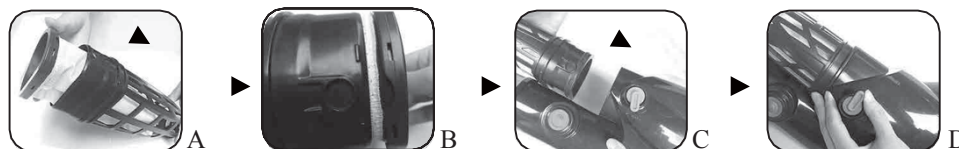
It is used for dirty pools, or plenty of rubbish into the pools, such as beginning of season, after big shower or raining.

4.2 How to assemble the standard filter bag

(1). Put the filter bag into the basket;

(2). Assemble the whole filter basket into the machine body;

(3). Clock the filter basket by two buttons as follows C & D, please tightly close the buttons when using.

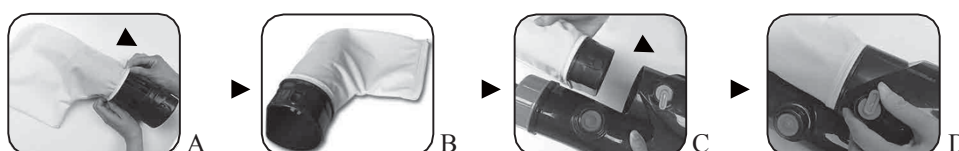


4.3 How to assemble the small micro filter bag or bigger micros filter bag

(1). Cover the filter bag out of the basket;

(2). Assemble the whole filter basket into the machine body;

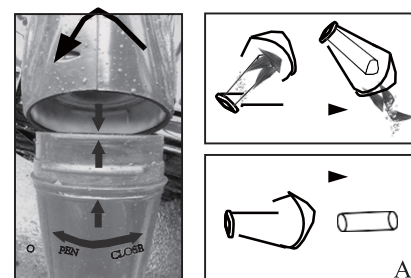
(3). Clock the filter basket by two buttons as follows C & D, please tightly close the buttons when using.



5. Cleaning the cleaner after using the electric cleaner

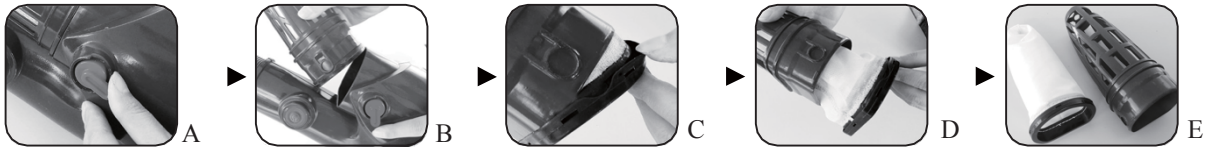
5.1 Take the transparent body off the electric cleaner (following the OPEN-CLOSE direction, rotate to OPEN direction 90 degrees), and take the garbage out of the transparent body, and then clean it. The tube in the transparent body can be took out for cleaning the body completely. Fig[A]

5.2 Take out the rear part of filter bag, and take out the filter bag, and get out the garbage, and then clean the filter bag.



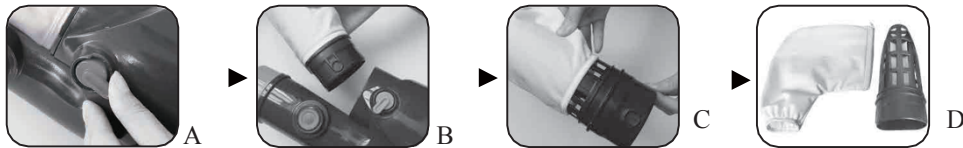
(1) The cleaning steps of standard filter bag(A-B-C-D-E):

- (a) Rotate the both fixing knobs (each beside the filter bag) in same direction to 180 degrees, pull out the basket and filter bag from the rear of pool cleaner.
- (b) Detach the filter bag from the filter basket.
- (c) Clean the filter bag and filter basket.
- (d) Install the filter bag back to the filter basket, the filter bag should be accordance with the slot in both side.



(2) The cleaning steps of small micro filter bag or bigger micro filter bag (A-B-C-D):

- (a) Rotate the both fixing knobs (each beside the filter bag) in same direction to 180 degrees, pull out the basket and filter bag from the rear of pool cleaner.
- (b) Detach the filter bag from the filter basket.
- (c) Clean the filter bag and filter basket.
- (d) Install the filter bag back to the filter basket.



5.3 Check whether there is garbage on the impeller. If it has, take out the garbage, and clean the impeller.

6. Battery assembly and replacement

6.1 BATTERY DISPOSAL

Your Rechargeable Pool Vacuum Battery is a lithium battery which must be disposed of properly is required, please contact your local authority for information.

WARNING!

Never attempt to disassemble a lithium battery.

Remove all personal items such as rings, bracelets, necklaces and watches when unwiring a lithium battery from the vacuum unit.

A battery can produce a short circuit current high enough to weld a ring (or like item) to metal causing a severe burn.

Wear complete eye protection, gloves and protective clothing when removing the battery pack.

Take care not to touch wires together or allow them to contact any metal items, which would cause sparking and/or short circuit the battery.

Never smoke or allow a spark or flame in the vicinity of the cleaner, batteries can generate gases which could possibly ignite.

Do Not expose to fire or intense heat as this may result in an explosion.

CAUTION!

If a battery leak develops, avoid contact with the leaking acid and place the damaged battery in a plastic bag.

If acid comes in contact with skin and clothing, wash immediately with plenty of soap and water.

If acid comes in contact with eyes, immediately flood eye with running cool water for at least 15 minutes. Get medical attention immediately.

6.2 The steps of changing the battery

(1) Push the button “a” forward along the arrow direction, until it not stuck the slot of the connector.(as picture “A” shows)

(2) Holding the body while reversing the connector , and removing the battery mounting from the body.(as “b1” in picture “B” shows)

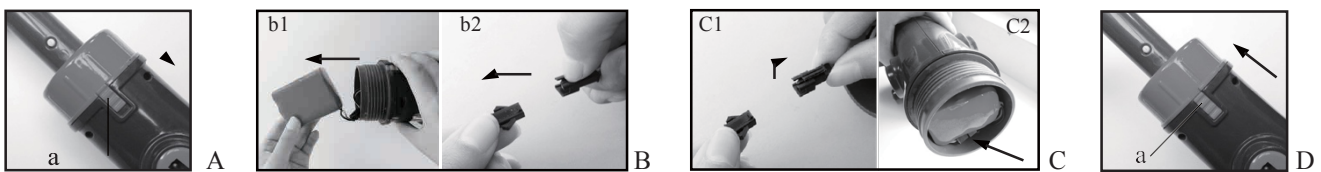
Note: Please don't pull the battery group heavily , and unlock the battery and the fastener, Fig[b2]

(3) Remove the used battery, and replace new lithium battery. Connect the battery and the fastener in the battery holder first, see the place “c1” on picture “C”, then put in the battery.

Note: The battery should be in right place, about 10mm from the connection port, the wire in the unoccupied place of the side. (see “c2” in picture “C”)

(4) Twist the connector into the body in clockwise, until the button “a” can buckle in the slot of connector. As picture “D” shows.

(5) Now you can use the cleaner according to the instruction normally.



7. Operation

WARNING!

Do not use the cleaner if any damage is found.

Pollution of the liquid could occur due to leakage of lubricants.

Do not operate this cleaner when people/pets are in the water.

Be sure the cleaner is fully immersed in the water before operating. DO NOT operate it outside of water. It will lead to failure of the shaft seals/motor, and then VOID the warranty.

DO NOT use the cleaner without intact filter sock and sleeve in place. Using you cleaner without intact filter sock and sleeve in place will VOID your warranty.

Risk of Suction Entrapment Hazard. This cleaner generates suction. Avoid hair, body or any loose parts of your clothing to contact with the suction hole of the cleaner in operation.

Never insert body parts, clothing or other objects into the openings and moving parts of the cleaner.

DO NOT use this cleaner to pick up any toxic substance, flammable or combustible liquids such as gasoline, or operate in the presence of explosive or flammable fumes.

CAUTION!

Use original accessories delivered with this product .

DO NOT use this cleaner immediately after pool shocking. It is recommended to leave the pool circulating for at least 24-48 hours.

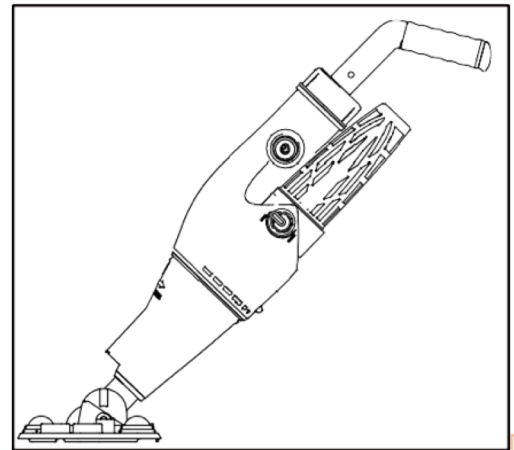
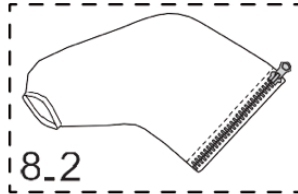
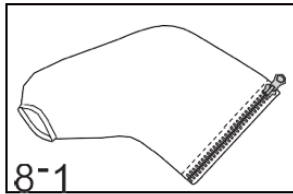
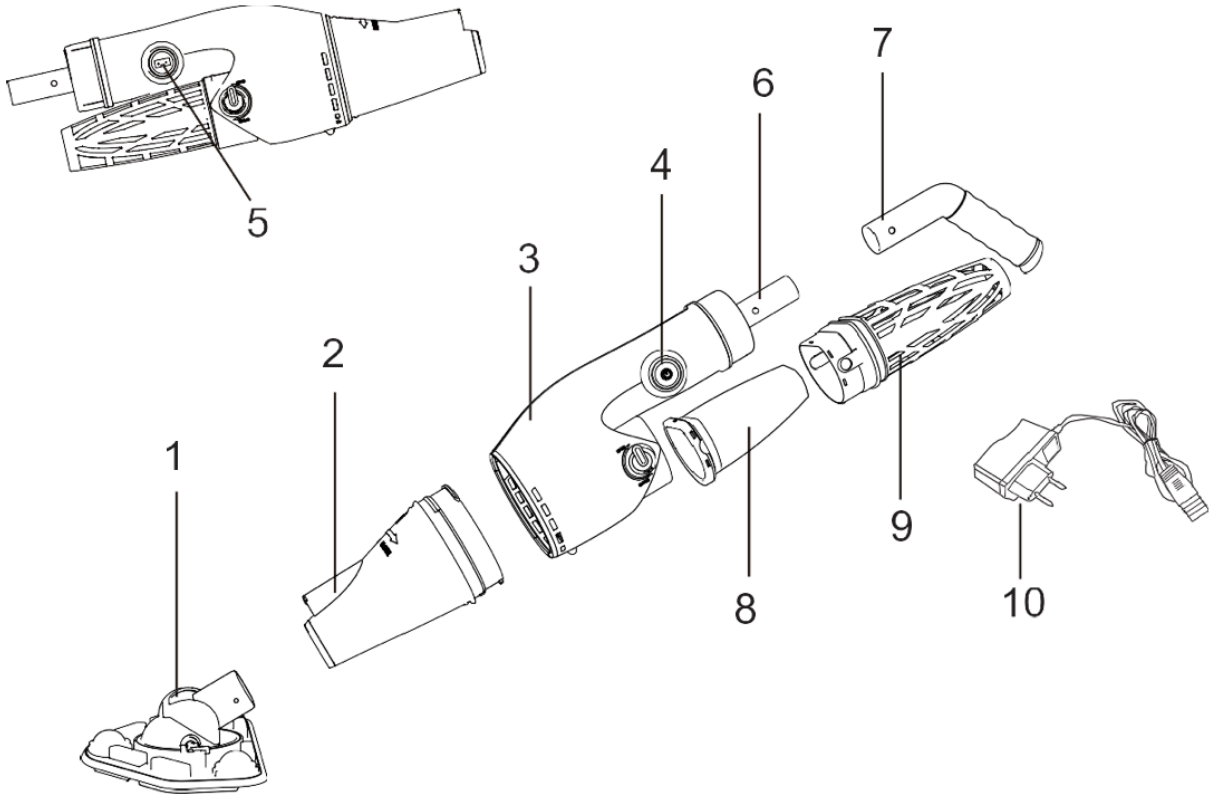
DO NOT leave the cleaner in the water when not in use.

The transparent suction part should be well installed before your powering the electric cleaner. (the transparent suction part has the button protection system in case the impeller will get your hands hurt).

8. Trouble shooting

Problem	Possible Cause	Remedy
Cleaner does not capture the debris	Battery is running out	Charge the battery again. Normally cleaner can operate 90 minutes after fully charged.
	Impeller is jammed	Power off the cleaner and visually check the gap in middle of the cleaner to see if the impeller is jammed. you can use your hand to rotate the impeller two circles to make the impeller rotation looser. WARNING! Make sure cleaner is power off when servicing the cleaner.
	Impeller is broken	Contact your dealer for impeller replacement.
	When the filter bag is full	Detach the filter basket and filter bag, and clean them.
Garbage flowing out from the Transparent Suction Head part	(1)The soft rubber of the rear impeller is broken. (2)Full with rubbish	(1)The soft rubber of rear impeller is like a door in case the garbage in the filter bag will flow backwards into impeller and the cover of transparent suction head part. (2)Take the rubbish out
Garbage flow out from the rear filter bag	Filter sock is damaged	Replace a new filter sock.
Handle/pole connector cannot be secured in assembly	Side pin broken	Using the new V-Shape clip
Cleaner cannot be recharged	Battery is dead	Contact dealer for battery replacement. WARNING! When you replace the battery, please contact the local dealers to purchase the original lithium battery in case that the electric cleaner is destroyed.
	The charger is out of order	Contact dealer for proper transformer. WARNING! Using wrong charger will result in damaging the cleaner /battery and void the warranty.

Electrical Vacumm Cleaner



Battery: 11.1 V DC, 5000 mAh
Charging voltaje : 12.6V DC, 1000mAh
Motor Voltage : 12 V DC

1. Cabezal pivotante
2. Cubierta delantera transparente
3. Cuerpo de la limpiadora
4. Botón de encendido y apagado
5. Tapón y conector para el cargador

7. Empuñadura
8. Filtro estándar
- 8.1 Small micro filter bag
- 8.2 Bigger micro bag
(optional, no tinto the shipment)
9. Basket
10. Cargador

ADVERTENCIAS DE SEGURIDAD E INSTRUCCIONES

Lea todas las instrucciones que aparecen en este manual y en el equipamiento. Si no lo hace, pueden producirse lesiones graves o mortales.

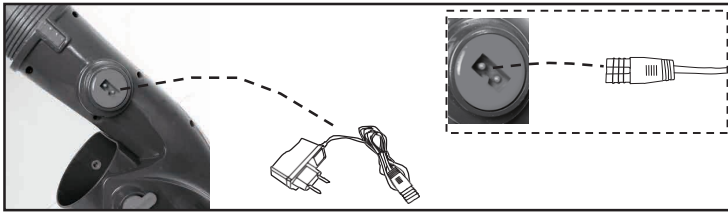
¡PRECAUCIÓN!

- Este aparato se puede utilizar a partir de los 12 años de edad.
- Las personas con discapacidad física, sensorial o psíquica o aquellas sin experiencia o conocimientos pueden emplearlo si se les supervisa y enseña a usarlo de forma segura y si comprenden los riesgos inherentes.
- No es un juguete infantil. Los niños no deben encargarse de la limpieza y el mantenimiento sin supervisión.
- El aparato solo se debe utilizar con la unidad de alimentación que se suministra con él.
- Este aparato no es un juguete. Debe vigilar a los niños para que no jueguen con el aparato ni con sus accesorios. No permita que los niños utilicen este dispositivo. Guarde el aspirador y sus accesorios fuera del alcance de los niños.
- Asegúrese de que el aspirador está completamente sumergido en agua antes de ponerlo en marcha. No utilice el dispositivo fuera del agua. Esto podría dañar el sistema/motor y anularía la garantía.
- Profundidad máxima de utilización en agua: 3 metros.
- Temperatura de uso del dispositivo: entre 4 °C y 36 °C
- Nunca utilice el aparato si ha detectado algún daño.
- Es preciso sustituir las piezas o los ensamblajes lo antes posible en caso de que estén dañados. Utilice exclusivamente piezas certificadas por el fabricante o el distribuidor.
- Suelte la limpiadora del cargador y cerciúrese de que el dispositivo está apagado antes de utilizarlo.
- No utilice la limpiadora si hay personas o mascotas en el agua.
- Grave riesgo de aspiración. Esta limpiadora genera una aspiración. Evite que el pelo, el cuerpo o las partes sueltas de sus prendas entren en contacto con el orificio de aspirado del dispositivo en funcionamiento.

- Nunca introduzca partes del cuerpo, prendas u otros objetos en las aberturas o en las piezas móviles del aspirador.
- Nunca utilice este aspirador para recoger sustancias tóxicas, inflamables o combustibles líquidos, como gasolina, ni lo ponga en funcionamiento ante vapores explosivos o inflamables.
- Nunca intente desmontar o sustituir la hélice o el motor por su cuenta, cualquiera que sea el método.
- Este aspirador está concebido para un uso exclusivo sumergido en agua y no para un uso como aspirador polivalente.
- No intente utilizarlo para limpiar algo distinto a su piscina / spa.
- Utilice los accesorios originales suministrados junto a este producto.
- No se recomienda utilizar esta limpiadora al mismo tiempo que otro aparato.
- Evite aspirar objetos puntiagudos con este dispositivo. Podrían dañar la limpiadora y el filtro.
- Tenga precaución cuando limpie los peldaños de la escalera de la piscina.
- Recargue la limpiadora en el interior, en un lugar limpio y seco con buena ventilación.
- En caso de que no vaya a utilizar el aspirador durante un periodo largo, desconéctelo del cargador y limpie y seque el aspirador y sus accesorios con un paño seco. Guárdelos en un lugar bien ventilado, alejado de la luz solar, del alcance de los niños, de focos de calor, de fuentes inflamables y de productos químicos. Nunca deje el dispositivo enchufado cuando lo guarde por un periodo largo. Recargue el aparato cada tres meses.
- Si no utiliza la parte transparente del cuerpo debe retirarla del aspirador eléctrico.
- No es posible que las advertencias y las precauciones recogidas aquí contemplen todas las situaciones de riesgo o de lesiones graves. Los propietarios de la piscina y del spa deben actuar con la máxima prudencia y con sensatez cuando utilicen el aspirador.

PARA EMPEZAR

1. Montaje del cargador



Nota: Este producto solo funciona debajo del agua. Si está fuera, deja de funcionar.

NOTA: cargue el aspirador entre 5 y 6 horas antes de utilizarlo por primera vez.

Normalmente, la carga dura unos 90 minutos si está al completo.

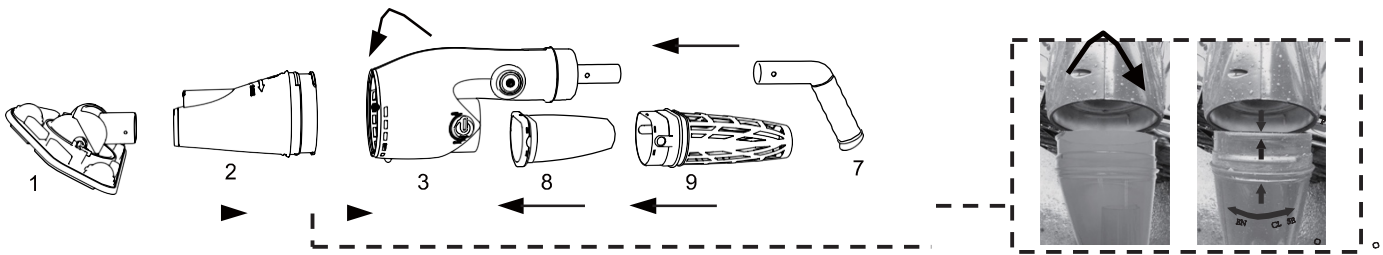
(1) Enchufe un extremo del cargador a la red. Se iluminará un piloto verde.

(2) A continuación, enchufe el otro extremo en el VCB50. Se iluminará un piloto rojo, ya que el cargador está en funcionamiento.

(3) Cuando transcurran 5 o 6 horas de carga, el piloto se ilumina en verde, lo que supone que la carga de P1116 está completa.

(4) Ya puede utilizarlo.

2. Montaje del mango

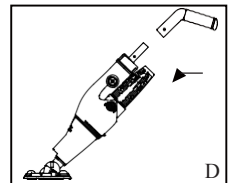
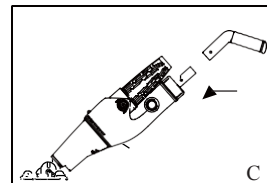
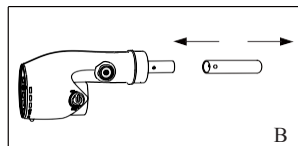
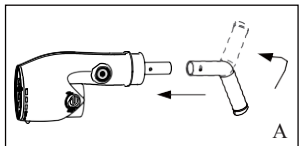


La dirección de la flecha indica cómo montar las piezas del cuerpo. Preste atención al signo de apertura y de cierre.

1) Mango portátil. Se conecta automáticamente al aparato. Se puede utilizar para coger VCB50 y limpiar las paredes, los escalones, los asientos y las esquinas [Figura A].

2) Montaje del mástil telescópico (no incluido). VCB50 también se puede conectar a un mástil telescópico estándar como se indica en la [Figura B].

3) Si es necesario, el mástil se puede colocar en las direcciones indicadas por la [Figura C] y la [Figura D].



3. Montaje del cabezal pivotante

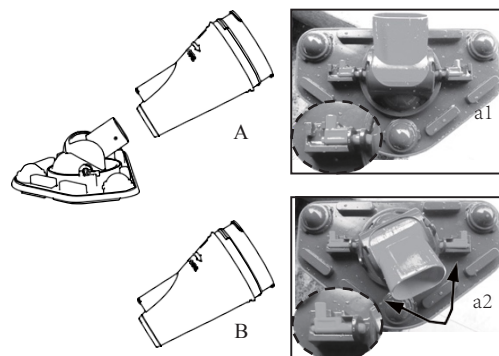
Inserte directamente el cabezal pivotante en la base de la cubierta transparente.

Con el fin de obtener una aspiración mejor, utilice la limpiadora como se indica:

- (1) Inserte el cabezal pivotante para aspirar piedrecillas y hojas como en la ilustración A.
- (2) No es necesario utilizar el cabezal pivotante para aspirar piedras y otros desechos grandes, como en la ilustración B.

Los cepillos del cabezal pivotante pueden retirarse sacándolos directamente del cabezal.

Para las piscinas revestidas y de fibras de vidrio se recomienda mantener los cepillos en el cabezal pivotante para evitar daños en el revestimiento de la piscina.



4. Montaje del filtro

4.1. Cómo elegir el filtro

- 1) Filtro estándar

Se utiliza para la limpieza diaria de la piscina, por ejemplo, para quitar hojas, pelo, ramas o frutos.

- 2) Filtro micro pequeño

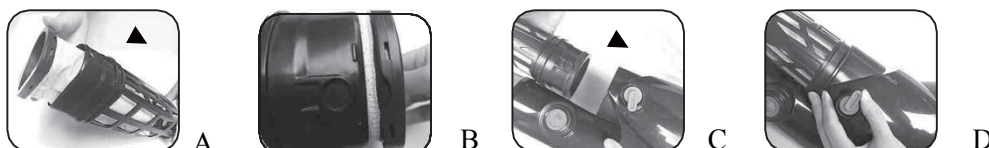
Se utiliza para desechos pequeños, como el polvo o el barro.

- 3) Filtro micro grande (opcional, se vende por separado)

Se utiliza para limpiar piscinas muy sucias o con muchos desechos dentro, como al principio de la temporada o después de tormentas o lluvias fuertes.

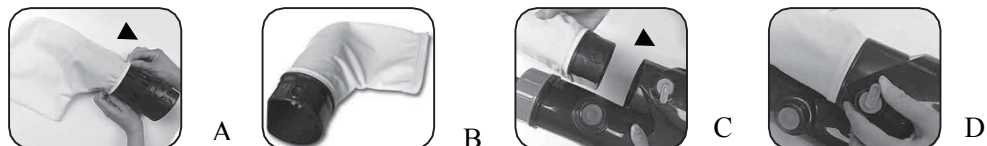
4.2. Cómo montar el filtro estándar

- 1) Coloque el filtro en la cesta.
- 2) Introduzca el conjunto en el cuerpo del aparato.
- 3) Fije la cesta con los botones, como se indica en los pasos C y D. Cierre bien los botones cuando vaya a utilizarlo.



4.3. Cómo montar el filtro micro pequeño o el filtro micro grande

- 1) Coloque el filtro por fuera de la cesta.
- 2) Introduzca el conjunto en el cuerpo del aparato.
- 3) Fije la cesta con los botones, como se indica en los pasos C y D. Cierre bien los botones cuando vaya a utilizarlo.



5. Limpieza del aspirador tras el uso

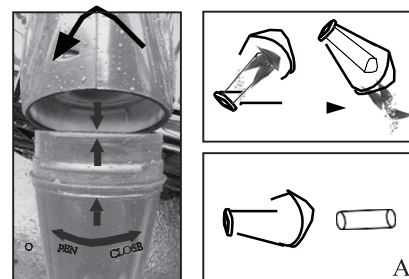
Retirar la cubierta delantera transparente (siguiendo las instrucciones OPEN-CLOSE, girar 90° hacia OPEN), retirar los desechos y lavarlos.

Retirar el filtro y la bolsa del filtro, quitar las impurezas y limpiar la bolsa filtrante.

Comprobar si hay impurezas en la hélice y limpiarlas en caso afirmativo.

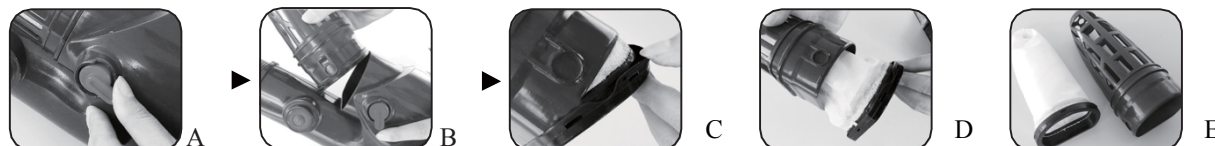
Etapas de limpieza de la bolsa del filtro posterior.

- Retirar la bolsa y el depósito filtrantes de la parte trasera de la limpiadora.
- Soltar la bolsa del depósito.
- Limpiar la bolsa y el depósito.



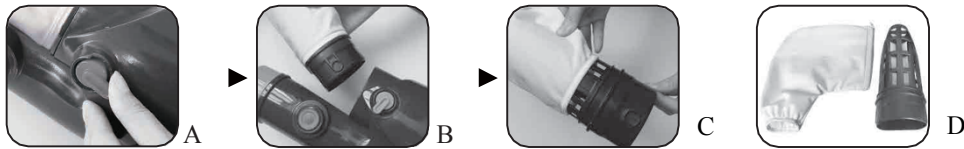
1) Limpieza del filtro estándar (A-B-C-D-E)

- a) Gire 180° los dos tiradores de fijación (a ambos lados del filtro) en la misma dirección. Extraiga la cesta y el filtro de la parte trasera del aspirador.
- b) Suelte el filtro de la cesta.
- c) Limpie tanto el filtro como la cesta.
- d) Vuelva a instalar el filtro y la cesta. El filtro debe encajar en las ranuras a ambos lados.



2) Limpieza del filtro estándar (A-B-C-D)

- Gire 180° los dos tiradores de fijación (a ambos lados del filtro) en la misma dirección. Extraiga la cesta y el filtro de la parte trasera del aspirador.
- Suelte el filtro de la cesta.
- Limpie tanto el filtro como la cesta.
- Vuelva a instalar el filtro y la cesta.



5.3 Compruebe si el impulsor está sucio. Si es así, retire los desechos y límpielo.

6. Reciclado de la batería

La batería de la limpiadora eléctrica para piscinas es de NI-MH y debe reciclarse conforme a las normas existentes. Póngase en contacto con las autoridades locales para más información.

ADVERTENCIA

Nunca trate de desmontar una batería de NI-MH.

Quítese todos los objetos personales como anillos, pulseras, collares y relojes de pulsera cuando desconecte el cable entre la batería y la limpiadora.

La batería puede provocar un cortocircuito importante que podría fundir un anillo (o cualquier otro elemento metálico) y causar quemaduras graves.

Utilice un elemento de protección ocular completa junto con guantes y prendas de protección cuando retire la batería.

Tenga cuidado para no tocar el ensamblaje de hilos ni permitir que entre en contacto con elementos metálicos, susceptibles de causar chispas y/o cortocircuitos con la batería.

Nunca prenda fuego ni permita que haya chispas o llamas cerca del aspirador. La batería puede causar gas que en último término podría inflamarse.

No la exponga al fuego ni al calor intenso puesto que podría provocar una explosión.

PRECAUCIÓN

En caso de que la batería presente fugas, evite el contacto con el ácido volcado y meta la batería dañada en una bolsa de plástico.

Si el ácido entra en contacto con la piel o la ropa, lávelas inmediata y abundantemente con agua y jabón.

Si el ácido entra en contacto con los ojos, aclárelos inmediatamente con agua fresca durante al menos 15 minutos. Consulte sin demora a un médico.

Pasos para cambiar la batería

(1) Presione el botón “a” y desplácelo en el sentido de la flecha, hasta que se suelte de la ranura del conector (como muestra el diagrama A).

(2) Sujete el cuerpo mientras gira el conector y suelte la montura de la batería del cuerpo (como muestra “b1” en el diagrama B).

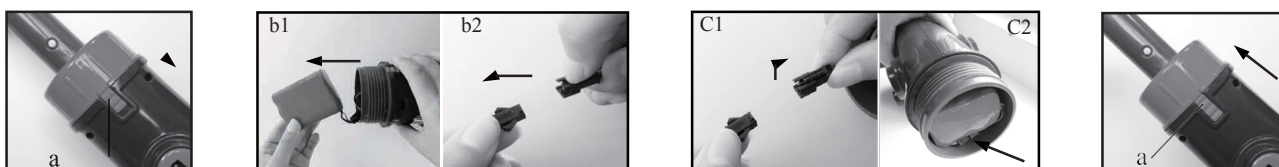
Nota: no tire fuerte de la batería y desbloquee esta y el seguro. Fig [b2]

(3) Quite la batería usada y ponga una nueva de litio. Primero conecte la batería y el seguro en el soporte (punto “C1” en la ilustración “C”) y coloque la batería.

Nota: La batería debe estar colocada en su posición a unos 10 mm del puerto de conexión, con el cable en la parte libre del lateral (“C2” en la ilustración “C”)

(4) Gire el conector en el cuerpo en el sentido de las agujas del reloj, hasta que el botón “a” ajuste en la ranura del conector (como muestra el diagrama D).

(5) Ya puede utilizar el limpiador conforme a las instrucciones.



7. Funcionamiento

PRECAUCIÓN

No utilice el aspirador si aprecia daños en él.

Se puede contaminar el líquido si hay filtraciones de lubricantes.

No utilice el aspirador cuando haya personas o mascotas en el agua.

Cerciórese de que el aspirador está completamente sumergido antes de ponerlo en marcha. NUNCA lo utilice fuera del agua. Si lo hiciera, se produciría una avería en las juntas del eje y el motor y la garantía quedaría ANULADA.

NUNCA utilice el aspirador sin haber colocado un filtro en perfectas condiciones. Si el filtro presenta imperfecciones, la garantía quedaría ANULADA.

Existe un riesgo de atrapamiento por succión. Evite que el pelo, otras partes del cuerpo y las prendas holgadas entren en contacto con el orificio de succión cuando el aspirador esté en uso.

Nunca introduzca partes del cuerpo, prendas u otros objetos en las aberturas ni en las piezas móviles del aspirador.

No lo utilice para recoger sustancias tóxicas, inflamables o combustibles, ni lo utilice cerca de vapores explosivos o inflamables.

¡ATENCIÓN!

Utilice los accesorios originales suministrados con este producto.

NO utilice este aspirador inmediatamente después de instalar la piscina. Se recomienda dejar que el agua circule al menos 24 o 48 horas.

NUNCA deje el aspirador en el agua mientras no se esté utilizando.

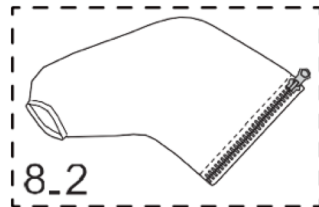
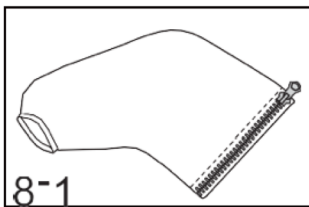
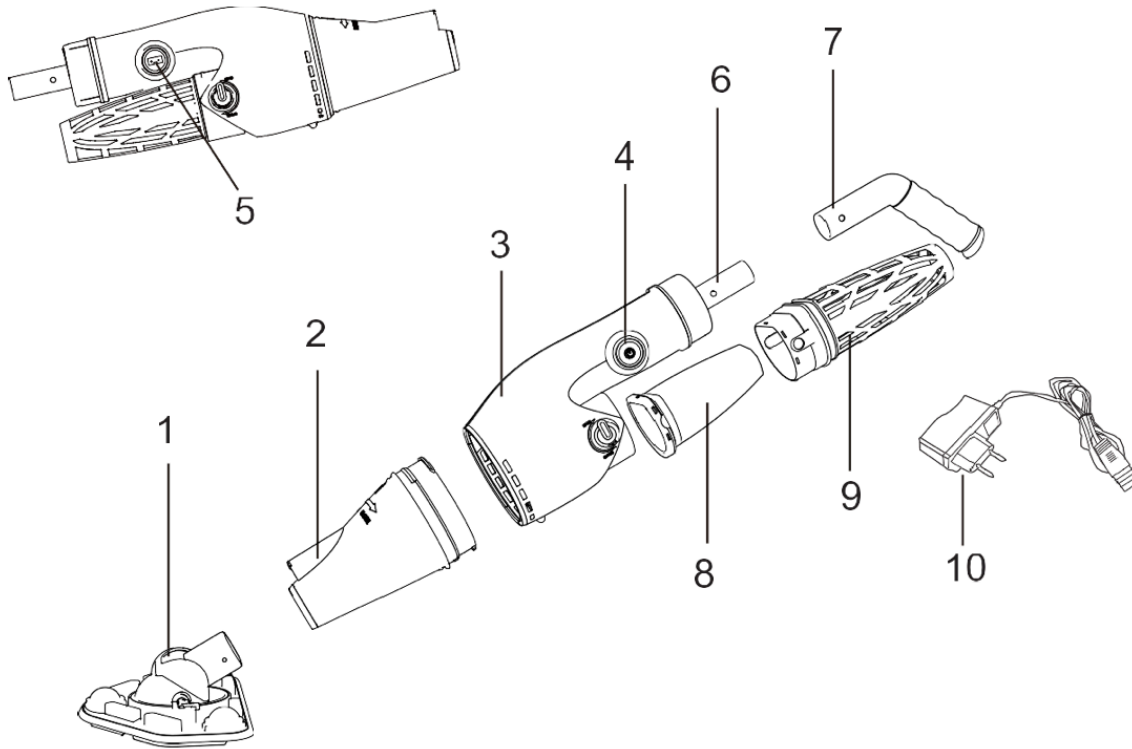
La pieza transparente de succión debe estar bien instalada antes de poner en funcionamiento el aspirador eléctrico. Esta pieza transparente cuenta con un sistema de protección en caso de que el impulsor le produzca lesiones en las manos.

8. Problemas y soluciones

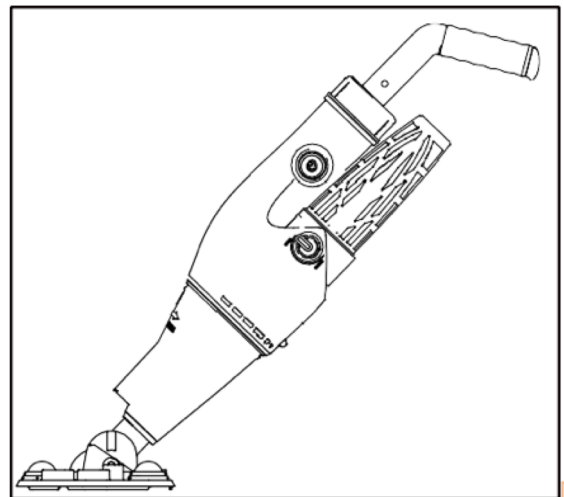
Problema	Posible causa	Soluciones
La limpiadora no aspira los desechos.	Batería baja	Recargar la batería Tiempo normal de uso de la batería una vez cargada por completo: 45-60 min.
	El rotor está bloqueado	Retire la tensión del aparato y compruebe visualmente el espacio en el aspirador para ver si está bloqueado el rotor. Con su mano, puede hacer girar los dos círculos del rotor y hacerlo más flexible. ADVERTENCIA: compruebe que la limpiadora está bien apagada cuando vaya a efectuar el mantenimiento.
	El rotor está roto	Póngase en contacto con su distribuidor para sustituirlo.
	El/los filtro(s) está(n) lleno(s)	Limpie los dos filtros.
Los desechos salen del filtro	La bolsa del filtro está dañada.	Sustituya la bolsa.
La empuñadura / el mango para el mástil no cierra correctamente en el conjunto.	Los cierres laterales están rotos.	Sustituya los cierres laterales.
La limpiadora no recarga.	La batería está defectuosa.	Póngase en contacto con su distribuidor para cambiar la batería. Advertencia: Cuando sustituya la batería póngase en contacto con su distribuidor local para comprar una batería de litio original para no dañar el aparato.
	El cargador no funciona	Póngase en contacto con su distribuidor para cambiar el cargador. Advertencia: El uso de un cargador erróneo puede dañar la batería o la limpiadora y anular la garantía.

FR

Electrical Vacuum Cleaner



Battery: 11.1 V DC, 5000 mAh
Charging voltage : 12.6V DC, 1000mAh
Motor Voltage : 12 V DC



1. Tête pivotante
2. Couvercle transparent avant
3. Corps du nettoyeur
4. Bouton on/off
5. Bouchon et connection pour chargeur
6. Connecteur poignée/manche

7. Poignée
8. Standard filter bag
- 8.1 Small micro filter bag
- 8.2 Bigger micro bag
(optional, no into the shipment)
9. Basket
10. Chargeur

CONSIGNES DE SÉCURITÉ ET INSTRUCTIONS

Lisez attentivement l'ensemble des instructions reprises dans ce manuel et sur l'équipement afin d'éviter des blessures graves ou mortelles.

ATTENTION !

- Cet aspirateur n'est pas destiné à être utilisé par des personnes ayant des capacités physiques, sensorielles ou mentales réduites ou manque d'expérience et de connaissances, à moins qu'ils aient été ou instruites concernant l'utilisation de l'appareil par une personne responsable de leur sécurité.
- Ceci n'est pas un jouet. Les enfants doivent être surveillés pour s'assurer qu'ils ne jouent pas avec cet appareil et ses accessoires. Ne jamais laisser les enfants utiliser ce produit. Gardez cet aspirateur et ses accessoires hors de portée des enfants.
- Veillez à ce que l'aspirateur soit complètement immergé dans l'eau avant l'opération. NE PAS utiliser l'appareil en dehors de l'eau. Cela pourrait endommager le système/moteur et annulerait la garantie.
- Profondeur maximum d'usage en eau : 3 mètres
- Température d'usage de l'appareil : 4°C à 36°C
- NE PAS utiliser l'appareil si vous avez détecté un dommage.
- Il est nécessaire de changer des pièces ou assemblages aussi rapidement que possible s'ils sont endommagés. Utilisez uniquement les pièces certifiées par le fabricant ou le distributeur.
- Détacher le nettoyeur du chargeur et s'assurer que le nettoyeur est éteint avant son usage.
- Ne pas utiliser ce nettoyeur s'il y a des personnes/animaux de compagnie, dans l'eau.

- Risque de danger d'aspiration. Ce nettoyeur génère une aspiration. Eviter que les cheveux, le corps ou toutes les pièces détachées de vos vêtements, puissent entrer en contact avec l'orifice d'aspiration de l'aspirateur en marche.
- Ne jamais insérer des parties du corps, des vêtements ou autres objets dans les ouvertures et les pièces mobiles de l'aspirateur.
- NE PAS utiliser cet aspirateur pour ramasser des substances toxiques, inflammables ou des combustibles liquides comme l'essence, ou fonctionner en présence de vapeurs explosives ou inflammables.
- N'essayez jamais de quelque façon que ce soit, de démonter et remplacer l'hélice ou le moteur par vos propres moyens.
- Cet aspirateur est conçu pour un usage sous l'eau uniquement et NON pour un usage comme aspirateur polyvalent.
- N'essayez pas de l'utiliser pour nettoyer autre chose que votre piscine / spa.
- Utilisez les accessoires d'origine livrés avec ce produit.
- Il n'est pas recommandé d'utiliser ce nettoyeur avec un autre appareil en même temps.
- Evitez d'aspirer des objets pointus avec ce produit. Ils pourraient endommager le nettoyeur et le filtre.
- Soyez très prudent lorsque vous nettoyez les marches de l'escalier de la piscine.
- Recharger le nettoyeur à l'intérieur dans un endroit propre et sec, avec une bonne ventilation.

- Si l'aspirateur ne doit pas être utilisé pendant une longue période, déconnectez-le du chargeur, utilisez un linge sec pour nettoyer et sécher l'aspirateur et les accessoires. Rangez-les dans un endroit bien ventilé, loin de la lumière du soleil, des enfants, de la chaleur, de sources d'inflammation et de produits chimiques. Ne jamais laisser l'appareil branché pendant un stockage à long terme. Rechargez l'appareil tous les trois mois.
- Si vous n'utilisez pas la partie du corps transparent, vous devriez l'enlever de l'aspirateur électrique.
- Les mises en garde et précautions ci-dessus, ne peuvent contempler toutes les possibilités de risques et / ou de blessures graves. Les propriétaires de piscine et de spas doivent toujours exercer une prudence intense et avoir du bon sens lors de l'usage de l'aspirateur.
- Si vous n'utilisez pas la partie du corps transparent, vous devriez l'enlever de l'aspirateur électrique.
- Les mises en garde et précautions ci-dessus, ne peuvent contempler toutes les possibilités de risques et / ou de blessures graves. Les propriétaires de piscine et de spas doivent toujours exercer une prudence intense et avoir du bon sens lors de l'usage de l'aspirateur.

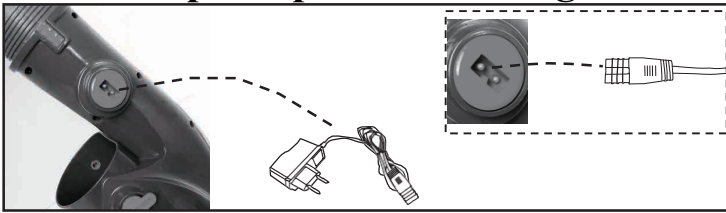
Chargeur

Pour usage en intérieur seulement. Le chargeur ne doit pas être utilisé en plein air et ne pas être exposé à la pluie, humidité, à n'importe quel liquide ou à la chaleur.

- Garder le chargeur hors de portée des enfants.
- Ne jamais utiliser le chargeur si un dommage est détecté.
- NE pas manipuler le chargeur avec les mains mouillées.
- NE pas manipuler l'aspirateur, le chargeur en charge avec les mains mouillées et sans chaussures.
- Débranchez le chargeur du courant électrique quand il n'est pas en service.
- Si le cordon d'alimentation est endommagé, il doit être remplacé par le fabricant ou son agent de maintenance ou toute autre personne qualifiée afin d'éviter tout danger.
- S'assurer que le nettoyeur et le chargeur soient complètement secs avant de recharger l'appareil.

MISE EN ROUTE

1. Mise en place pour la recharge de la batterie

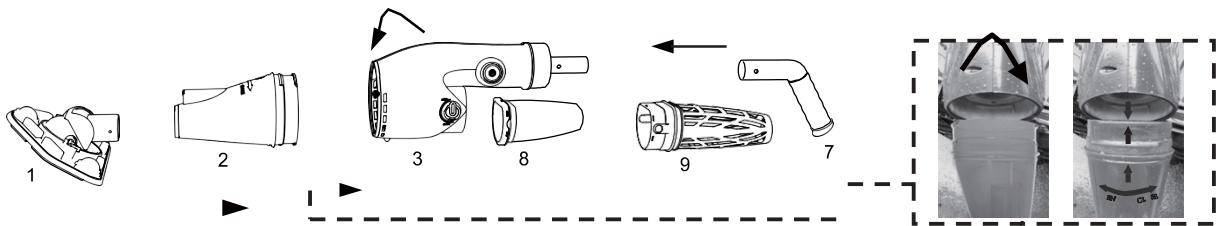


1. Branchez une extrémité du chargeur au réseau. Un témoin vert s'allumera.
2. Ensuite, branchez l'autre extrémité au P1116. Un témoin rouge s'illuminera, étant donné que le chargeur est en marche.
3. Après 5 ou 6 heures de charge, le témoin s'illumine en vert, ce qui indique que la charge de P1116 est complète.
4. Il est prêt à être utilisé.

Remarque : ce produit fonctionne uniquement sous l'eau. En dehors de l'eau, il arrête de fonctionner.

REMARQUE : chargez l'aspirateur entre 5 et 6 heures avant de l'utiliser pour la première fois. Normalement, la charge complète dure environ 90 minutes.

2. Montage du manche

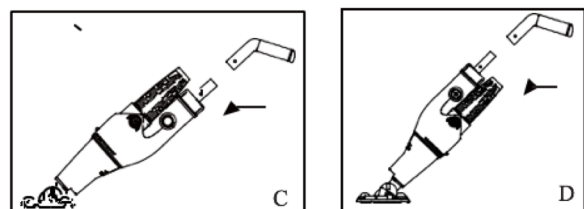
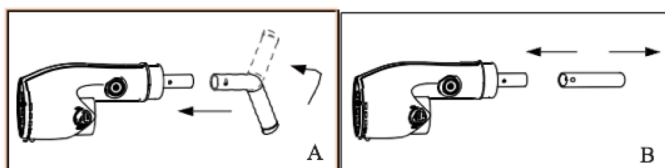


La direction de la flèche indique comment procéder au montage des pièces du corps. Faites attention au signe d'ouverture et de fermeture.

1) Manche portable. Il est automatiquement connecté à l'appareil. Il peut être utilisé pour prendre P1116 et nettoyer les parois, les marches, les sièges et les

2) Montage du mât télescopique (non inclus). P1116 peut également être connecté à un mât télescopique standard tel que cela est indiqué sur la [Figure B].

3) Si besoin, le mât peut être placé dans les directions indiquées par la [Figure C] et la [Figure D].

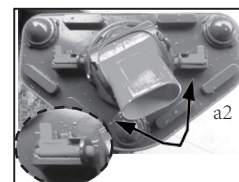
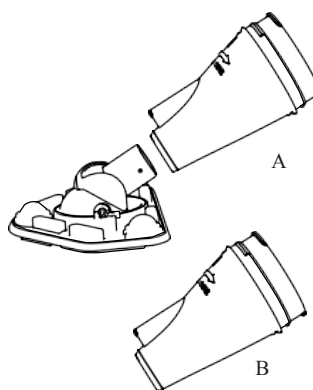


3. Assemblage de la tête pivotant

Insérer directement la tête pivotante directement dans la base du couvercle transparent.

Afin d'obtenir une meilleure aspiration, veuillez utiliser le nettoyeur comme ci-dessous:

- Insérer la tête pivotante afin d'aspirer les petits cailloux et les feuilles comme sur le schéma A.
- Il n'est pas nécessaire de mettre la tête pivotante pour aspirer les pierres et autres grands débris comme sur le schéma B.



Les brosses de la tête pivotante peuvent s'enlever en les retirant directement de la tête.

Pour les piscines en liner et fibres de verre, il est recommandé de garder les brosses sur la tête pivotante afin d'éviter d'endommager le revêtement de la piscine.

4. Montage du filtre

4.1. Comment choisir le filtre

(1) Filtre standard

Il est employé pour le nettoyage quotidien de la piscine, par exemple pour enlever les feuilles, les cheveux, les branches ou les fruits.

(2) Filtre micro petit

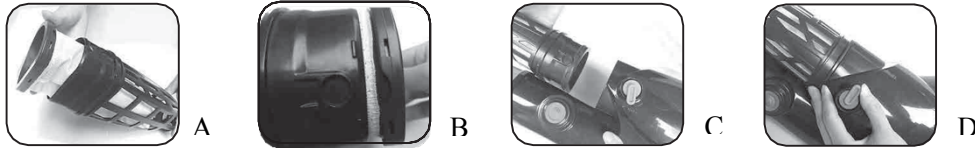
Il est employé pour les petits résidus, notamment la poussière ou la boue.

(3) Filtre micro grand (option, vendu séparément)

Il est employé pour nettoyer les piscines très sales ou avec une grande quantité de résidus, par exemple en début de saison ou bien après des tempêtes ou de fortes pluies.

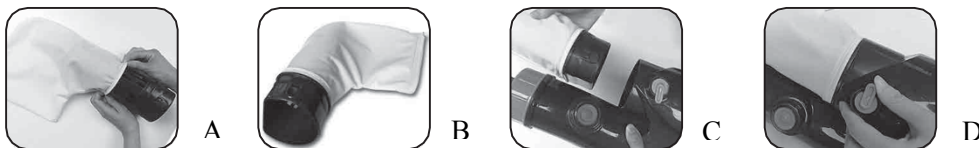
4.2 Comment monter le filtre standard

- 1) Placez le filtre dans le panier.
- 2) Introduisez l'ensemble dans le corps de l'appareil.
- 3) Fixez le panier avec les boutons, tel que cela est indiqué dans les étapes C et D. Fermez correctement les boutons avant toute utilisation.



4.3 Comment monter le filtre micro petit ou le filtre micro grand

- 1) Placez le filtre en dehors du panier.
- 2) Introduisez l'ensemble dans le corps de l'appareil.
- 3) Fixez le panier avec les boutons, tel que cela est indiqué dans les étapes C et D. Fermez correctement les boutons avant toute utilisation.



5. Nettoyage de l'aspirateur après usage

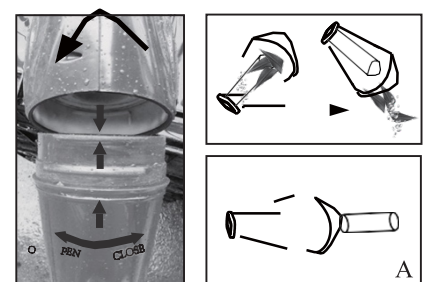
Retirer le couvercle avant transparent (en suivant la direction OPEN-CLOSE, tourner vers OPEN à 90°), retirer les débris et le laver.

Retirer le filtre arrière, et retirer le sac du filtre arrière, retirer les impuretés et nettoyer le sac filtrant.

Vérifier s'il y a des impuretés au niveau de l'hélice et le nettoyer s'il y en a.

Les étapes de nettoyage du sac-filtre arrière :

- Retirer le sac filtrant et le panier-filtre de l'arrière du nettoyeur.
- Détacher le sac filtrant du panier-filtre.
- Nettoyer le sac filtrant et le panier-filtre.

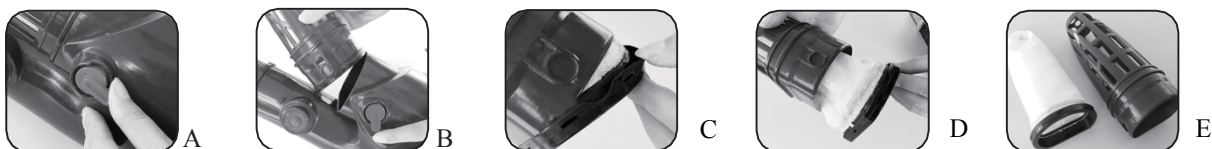


Les brosses de la tête pivotante peuvent s'enlever en les retirant directement de la tête.

Pour les piscines en liner et fibres de verre, il est recommandé de garder les brosses sur la tête pivotante afin d'éviter d'endommager le revêtement de la piscine.

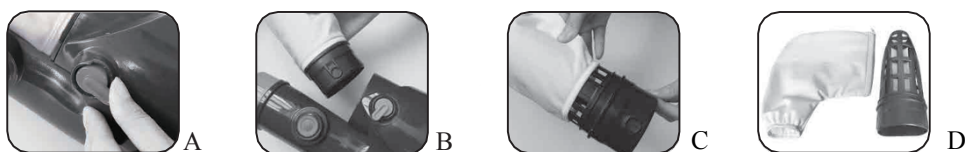
(1) Nettoyage du filtre standard

1. Tournez de 180° les deux poignées de fixation (des deux côtés du filtre) dans la même direction. Retirez le panier et le filtre de la partie arrière de l'aspirateur.
2. Retirez le filtre du panier.
3. Nettoyez à la fois le filtre et le panier.
4. Installez à nouveau le filtre et le panier. Le filtre doit s'emboîter dans les rainures des deux côtés.



(2) Étapes de nettoyage pour petit et grand sac micro filtrant. (A-B-C-D)

- Tournez de 180° les deux poignées de fixation (des deux côtés du filtre) dans la même direction. Retirez le panier et le filtre de la partie arrière de l'aspirateur.
- Retirez le filtre du panier.
- Nettoyez à la fois le filtre et le panier.
- Installez à nouveau le filtre et le panier.



5.3 Vérifier si le propulseur est sale. S'il n'est pas propre, retirez les résidus et nettoyez-le.

6. Recyclage de la batterie

La batterie du nettoyeur électrique de piscine est une batterie au NI-MH qui doit être recyclée, selon les normes existantes. Contacter les autorités locales pour plus d'informations

MISE EN GARDE

- Ne jamais tenter de démonter une batterie au NI-MH.
- Retirer tous les objets personnels tels que les bagues, les bracelets, les colliers et les montres quand vous déconnecterez le câble reliant la batterie au nettoyeur.
- Une batterie peut provoquer un court circuit assez important, pouvant dissoudre une bague (ou tout autre élément en métal) causant de graves brûlures.
- Porter une protection oculaire complète avec des gants et vêtements de protection lorsque vous retirez la batterie.
- Prendre soin de ne pas toucher les fils ensemble ou leur permettre d'être en contact avec des éléments métalliques, susceptibles de provoquer des étincelles et/ou un court-circuit avec la batterie.
- Ne jamais brûlé ou permettre une étincelle ou une flamme à proximité de l'aspirateur. La batterie peut générer des gaz qui pourraient éventuellement s'enflammer.
- Ne pas exposer au feu ou à une chaleur intense, car cela peut entraîner une explosion.
- Si une batterie fuit, éviter tout contact avec l'acide répandu et mettre la batterie endommagée dans un sac plastique.
- Si l'acide entre en contact avec la peau et les vêtements, se laver immédiatement et abondamment avec de l'eau et du savon.
- Si l'acide entre en contact avec les yeux, rincer immédiatement les yeux à l'eau fraîche pendant au moins 15 minutes. Consulter immédiatement un médecin.

6.2 Passos para substituir a bateria

(1) Appuyez sur le bouton « a » et déplacez-le dans le sens de la flèche jusqu'à ce qu'il se détache de la rainure du connecteur (comme indique le diagramme A).

(2) Fixez le corps pendant que le connecteur tourne et lâchez la monture de la batterie du corps (comme indique « b1 » sur le diagramme B).

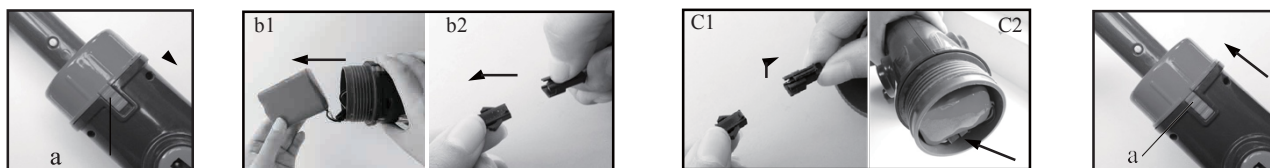
Remarque : ne tirez pas fort de la batterie, débloquez cette dernière et libérez le verrouillage. Fig [b2]

(3) Retirez la batterie usée et placez une nouvelle batterie lithium. Connectez tout d'abord la batterie et le verrouillage sur le support (point « C1 » de l'illustration « c ») et placez la batterie.

Remarque : la batterie doit être placée sur sa position, à environ 10 mm du port de connexion, avec le câble sur la partie libre du côté (« C2 » sur l'illustration « c »)

(4) Tournez le connecteur dans le corps dans le sens horaire jusqu'à ce que le bouton « a » soit ajusté dans la rainure du connecteur (comme indique le diagramme D).

(5) Vous pouvez maintenant utiliser le nettoyeur d'après les instructions.



7. Fonctionnement

MISE EN GARDE

N'utilisez pas l'aspirateur si vous détectez des dommages sur ce dernier.

Le liquide peut être endommagé s'il existe des filtrations de lubrifiants.

Ne pas utiliser l'aspirateur en présence de personnes ou d'animaux dans l'eau.

Vérifier que l'aspirateur soit complètement immergé avant de le mettre en marche. Ne JAMAIS l'utiliser en dehors de l'eau. Cela entraînerait une panne dans les joints de l'axe et le moteur et la garantie serait automatiquement ANNULÉE.

Ne JAMAIS utiliser l'aspirateur sans avoir préalablement placé un filtre en parfait état. Si le filtre présente des défauts, la garantie sera ANNULÉE.

Il existe un risque de coincement par succion. Éviter le contact des cheveux ou d'autres parties du corps et de vêtements larges avec l'orifice de succion lorsque l'aspirateur est en marche.

Ne jamais introduire des parties du corps, des vêtements ou autres objets dans les ouvertures ni dans les pièces mobiles de l'aspirateur.

Ne jamais utiliser l'appareil pour ramasser des substances toxiques, inflammables ou combustibles. Ne pas le mettre en marche près de vapeurs explosives ou inflammables.

ATTENTION !

N'utilisez que les accessoires originaux fournis avec ce produit.

NE PAS utiliser l'aspirateur immédiatement après l'installation de la piscine. Il est conseillé d'attendre que l'eau circule pendant au moins 24-48 heures.

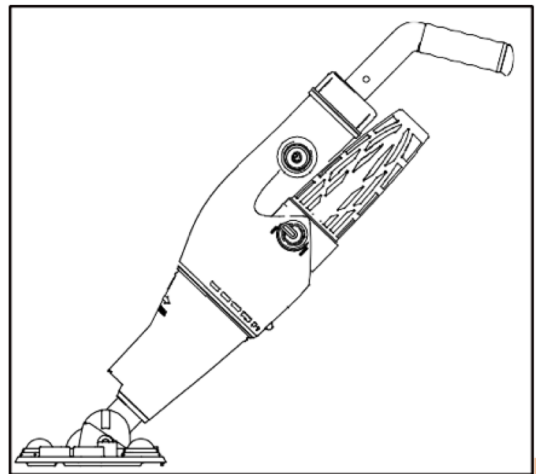
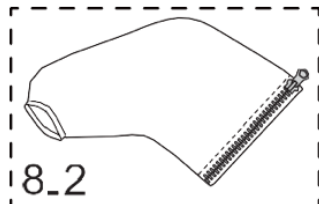
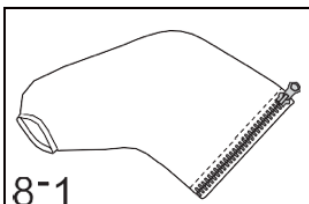
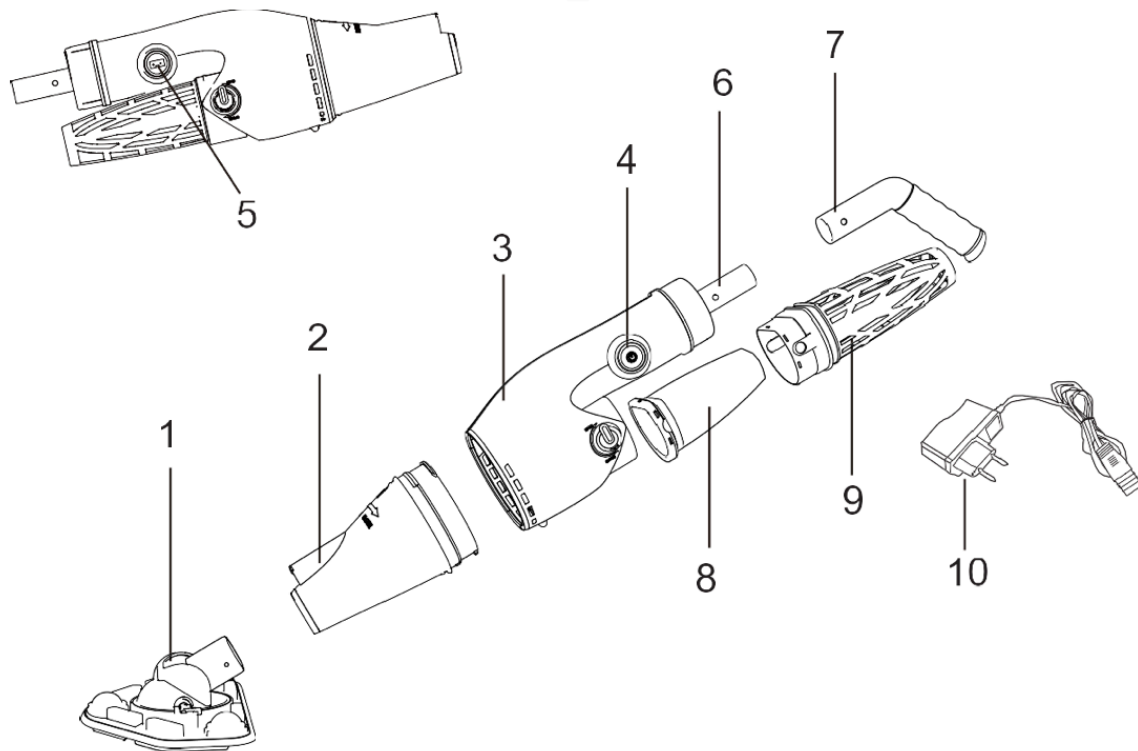
NE JAMAIS laisser l'aspirateur dans l'eau s'il n'est pas utilisé.

La pièce transparente de succion doit être correctement installée avant de mettre en marche l'aspirateur électrique. Cette pièce transparente possède un système de protection pour éviter les blessures dans les mains.

8. En cas de problème

Problème	Cause possible	Solutions
Le nettoyeur n'aspire pas les débris	Batterie faible	Recharger la batterie. Temps d'usage normale de la batterie une fois complètement chargée : 45-60 min.
	Le rotor est bloqué	Mettre hors tension l'appareil et vérifier visuellement l'espace au milieu de l'aspirateur pour voir si le rotor est bloqué. Vous pouvez utiliser votre main pour faire tourner les 2 cercles du rotor et le rendre plus souple. MISE EN GARDE : vérifier que le nettoyeur est bien éteint lors de l'entretien de l'appareil.
	Le rotor est cassé	Contactez votre revendeur pour remplacer le rotor
	Le(s) filtre(s) sont pleins(s)	Nettoyer les 2 filtres.
Des débris s'échappent du filtre	Le sac du filtre est endommagé.	Remplacer le sac.
Poignée / connecteur pour manche ne ferme pas correctement à l'assemblage	Les clips latéraux sont cassés	Remplacer des clips latéraux
Le nettoyeur ne se recharge pas	La batterie est défectueuse	Contactez votre revendeur pour changer la batterie. Mise en garde : Quand vous remplacez la batterie, contactez votre revendeur local afin d'acheter la batterie originale au lithium afin de ne pas endommager l'appareil.
	Le chargeur ne fonctionne pas	Contactez votre revendeur pour changer le chargeur. Mise en garde : utiliser un chargeur erroné peut endommager la batterie ou le nettoyeur et annuler la garantie.

Electrical Vacuum Cleaner



Battery: 11.1 V DC, 5000 mAh
Charging voltage : 12.6V DC, 1000mAh
Motor Voltage : 12 V DC

- 1. Schwenkkopf
- 2. Frontabdeckung transparent
- 3. Saugergehäuse
- 4. Schalter Ein/Aus
- 5. Kappe und Anschluss für
- 6. Anschlussstück Griff/Schaft

- 7. Griff
- 8. Standard filter bag
- 8.1 Small micro filter bag
- 8.2 Bigger micro bag
(optional, no into the shipment)
- 9. Basket
- 10. Ladegerät

SICHERHEITSHINWEISE UND -WARNUNGEN

Lesen Sie alle Hinweise im Handbuch und bei der Ausrüstung. Andernfalls kann es zu schweren oder tödlichen Verletzungen kommen.

ACHTUNG!

- Dieses Gerät kann ab 12 Jahren verwendet werden. Personen mit Beeinträchtigungen an Körper, Sinnesorganen oder Psyche oder Personen ohne Erfahrung oder Kenntnisse bedürfen zum Betrieb einer Aufsicht und Einweisung und müssen vor der Nutzung die damit verbundenen Risiken verstanden haben.
- Es handelt sich nicht um Kinderspielzeug. Kinder dürfen sich ohne Aufsicht nicht um Reinigung und Wartung kümmern.
- Das Gerät darf nur mit der mitgelieferten Stromversorgungseinheit verwendet werden.
- Der Sauger ist nicht für den Gebrauch durch körperlich, sensorisch oder geistig behinderte Personen bzw. im Umgang damit unerfahrene oder unkundige Personen ausgelegt und sollte von diesen nur nach einschlägiger Anleitung durch eine für ihre Sicherheit verantwortliche Person verwendet werden.
- Das Gerät ist kein Spielzeug. Achten Sie darauf, dass Kinder nicht mit dem Gerät und dessen Zubehör spielen oder das Gerät benutzen. Bewahren Sie den Sauger und dessen Zubehör für Kinder unzugänglich auf.
- Achten Sie vor der Inbetriebnahme darauf, dass sich der Sauger vollständig unter Wasser befindet. Verwenden Sie das Gerät stets nur im Wasser, da ansonsten Schäden an Anlage oder Motor entstehen könnten und die Garantie ungültig würde.
- Maximale Einsatztiefe im Wasser: 3 m
- Betriebstemperatur des Geräts: 4 °C bis 36 °C
- Sollten Sie Schäden feststellen, das Gerät nicht verwenden.

- Beschädigte Teile oder Baugruppen sollten so schnell wie möglich ausgetauscht werden. Verwenden Sie dafür nur vom Hersteller bzw. Fachhändler zertifizierte Ersatzteile.
- Trennen Sie den Sauger vom Ladegerät und vergewissern Sie sich vor seinem Gebrauch, dass er ausgeschaltet ist.
- Verwenden Sie den Sauger nicht, wenn sich Menschen oder Tiere im Wasser befinden.
- Vorsicht Einsauggefahr! Der Sauger erzeugt Ansaugkräfte. Achten Sie daher darauf, dass Haar, Körper oder lose Kleidung nicht in die Nähe der Ansaugöffnung des laufenden Geräts kommen.
- Stecken Sie keine Körperteile, Kleidungsstücke oder sonstigen Gegenstände in die Öffnungen oder beweglichen Teile des Saugers.
- Verwenden Sie den Sauger nicht zur Aufnahme toxischer oder entzündlicher Stoffe bzw. flüssiger Brennstoffe wie Benzin und schalten Sie ihn nicht in der Nähe explosiver oder brennbarer Dämpfe ein.
- Der eigenständige Ausbau oder Austausch von Rotor oder Motor ist unzulässig. Dies gilt für alle Vorgehensweisen.
- Der Sauger ist nicht als Mehrzweckreiniger ausgelegt und darf nur unter Wasser eingesetzt werden.
- Verwenden Sie den Sauger ausschließlich zur Reinigung Ihres Pools/Whirlpools.
- Verwenden Sie das mitgelieferte Originalzubehör.
- Der Einsatz des Saugers gleichzeitig mit anderen Geräten wird nicht empfohlen.
- Vermeiden Sie das Einsaugen von spitzen Gegenständen in das Gerät, da diese Sauger und Filter beschädigen könnten.

- Vorsicht bei der Reinigung der Poolleiterstufen.
- Laden Sie den Sauger an einem sauberen, trockenen und gut gelüfteten Ort in Innenräumen auf.
- Soll der Sauger für einen längeren Zeitraum nicht genutzt werden, trennen Sie ihn vom Ladegerät. Reiben Sie Sauger und Zubehör mit einem trockenen Tuch ab und bewahren Sie diese für Kinder unzugänglich an einem gut gelüfteten Ort fern von Sonneneinstrahlung, Hitzequellen, Zündquellen und Chemikalien auf. Lassen Sie das Gerät bei längerer Aufbewahrung nicht angeschlossen und laden Sie es alle drei Monate auf.
- Falls Sie den transparenten Teil des Gehäuses nicht nutzen, nehmen Sie ihn vom Gerät ab.
- Durch die hier genannten Hinweise und Vorsichtsmaßnahmen können nicht alle Gefahrensituationen oder möglichen schweren Verletzungen abgedeckt werden. Pool- oder Whirlpoolbesitzer sollten bei der Nutzung des Saugers daher höchste Vorsicht walten lassen und mit gesundem Menschenverstand vorgehen.

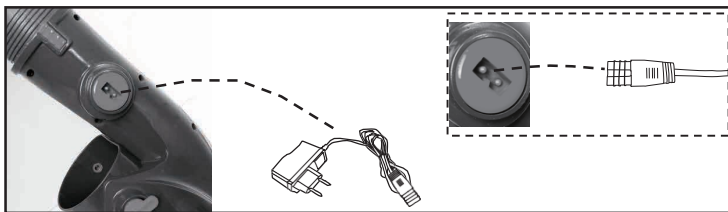
Ladegerät

Einsatz ausschließlich in Innenräumen. Verwenden Sie das Ladegerät nicht im Freien, im Regen, in feuchter Umgebung und in der Nähe von Flüssigkeiten oder Hitze.

- Lassen Sie das Ladegerät nicht in die Hände von Kindern gelangen.
- Sollten Sie Schäden feststellen, das Ladegerät nicht verwenden.
- Das Ladegerät nicht mit feuchten Händen berühren.
- Sauger und ladendes Ladegerät nicht mit feuchten Händen oder ohne Schuhe berühren.
- Bei Nichtgebrauch das Ladegerät vom Spannungsnetz trennen.
- Um jegliches Risiko zu vermeiden, ist ein beschädigtes Spannungskabel stets vom Hersteller, dessen Kundendienst oder einem Fachmann auszuwechseln.
- Stellen Sie vor dem Aufladen sicher, dass Sauger und Ladegerät vollkommen trocken sind.

ZU ANFANG

1. Anbringung der Ladestation



Hinweis: Dieses Produkt funktioniert nur unter Wasser. Andernfalls stellt es den Betrieb ein.

HINWEIS: Laden Sie den Sauger vor dem ersten Einsatz 5 bis 6 Stunden auf. Ein vollständig aufgeladenes Gerät ist gewöhnlich 90 Minuten einsatzfähig.

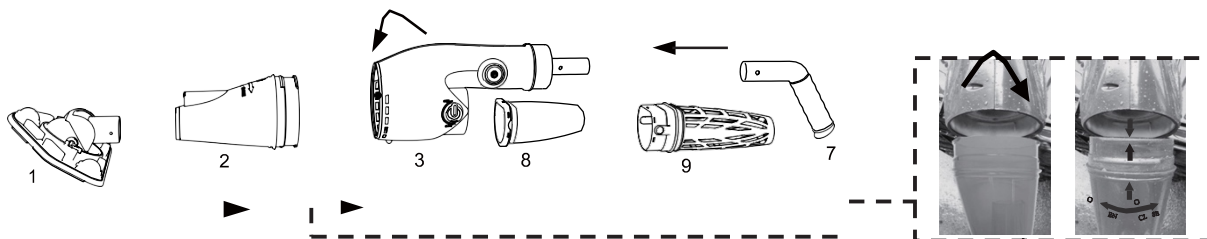
1. Schließen Sie ein Ende der Ladestation an das Stromnetz an. Ein grünes Licht leuchtet auf.

2. Stecken Sie das andere Ende in VCB50. Das rote Licht zeigt, dass die Ladestation betriebsbereit ist.

3. Nach 5 bis 6 Stunden Ladezeit leuchtet das Licht wieder grün, was bedeutet, dass P1116 vollständig aufgeladen ist.

4. Das Gerät ist nun einsatzbereit.

2. Anbringung des Kopfes

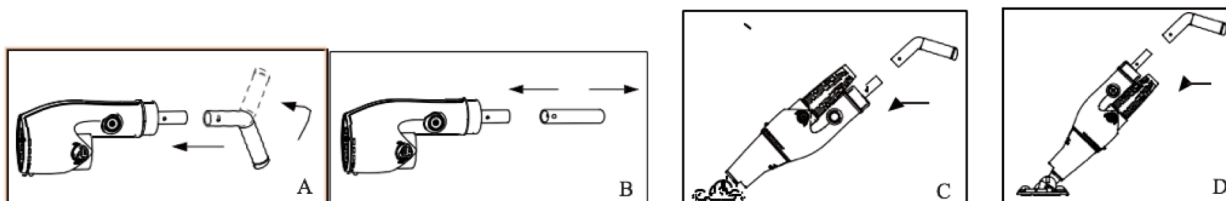


Der Pfeil zeigt die Anbringung der Gehäuseteile. Achten Sie auf die Zeichen für öffnen und schließen.

1) Mobiler Kopf. Wird automatisch mit dem Gerät verbunden. VCB50 kann daran befestigt werden. So können Sie Wände, Stufen, Sitze und Ecken reinigen [Abbildung A].

2) Anbringung der Teleskopstange (nicht enthalten). VCB50 kann mit einer standardmäßigen Teleskopstange verbunden werden [siehe Abbildung B].

3) Die Stange kann in den angegebenen Richtungen [Abbildung C] und [Abbildung D] befestigt werden.

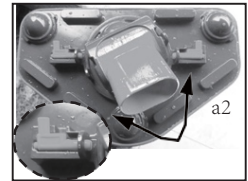
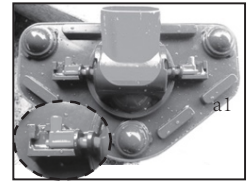
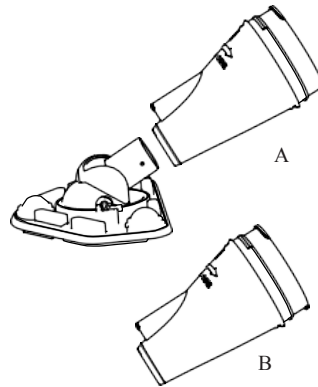


3. Montage des Schwenkkopfes

Stecken Sie den Schwenkkopf direkt unten in die transparente Abdeckung ein.

Optimale Saugergebnisse erzielen Sie durch folgenden Einsatz des Saugers:

- Stecken Sie zum Einsaugen von kleinen Steinen und Blättern den Schwenkkopf auf (siehe Abbildung A)
- Zum Einsaugen großer Steine und Schmutzteile ist der Schwenkkopf nicht erforderlich (siehe Abbildung B)



Die Bürsten werden direkt aus dem Saugrohr ausgefahren.

Für ausgekleidete Schwimmbäder oder solche aus Vinyl oder Glasfaser empfiehlt es sich, die Bürsten am Rohr zu lassen, um Schäden zu vermeiden.

4. Anbringung des Filters

4.1 Wie wähle ich den Filter aus

1) Standardfilter

Eignet sich zur täglichen Reinigung des Schwimmbades von Blättern, Haaren, Ästen oder Früchten.

2) Kleiner Mikrofilter

Für kleine Partikel wie Staub oder Schlamm.

3) Großer Mikrofilter (optional, wird gesondert verkauft)

Zur Reinigung besonders dreckiger oder schmutzhaltiger Schwimmbäder, beispielsweise zu Saisonbeginn oder nach Gewitter oder Starkregen.

4.2. Wie bringe ich den Standardfilter an

1) Befestigen Sie den Filter im Korb.

2) Schieben Sie diesen in das Gehäuse.

3) Befestigen Sie den Korb mit den Knöpfen, wie unter C und D gezeigt.

Verschließen Sie die Knöpfe vor der Verwendung gut.



A



B



C



D

4.3. Wie montiere ich den kleinen oder großen Mikrofilter

- 1) Bringen Sie den Filter von außen am Korb an.
- 2) Schieben Sie diesen in das Gehäuse.
- 3) Befestigen Sie den Korb mit den Knöpfen, wie unter C und D gezeigt. Verschließen Sie die Knöpfe vor der Verwendung gut.



A



B



C



D

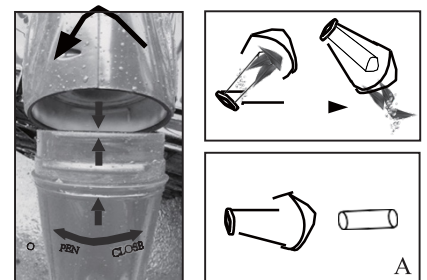
5. Reinigung des Saugers nach Gebrauch

Die transparente Frontabdeckung abnehmen (diese dabei gemäß Beschriftung OPEN-CLOSE um 90° Richtung OPEN drehen), den Schmutz entfernen und die Abdeckung auswaschen. Filter und Filterbeutel herausnehmen, Schmutz entfernen und Filterbeutel reinigen.

Den Rotor auf Schmutzrückstände überprüfen und gegebenenfalls reinigen.

Vorgehensweise zum Reinigen des hinteren Filterbeutels:

- Filterbeutel und -behälter aus dem hinteren Teil des Saugers entnehmen
- Filterbeutel vom Filterbehälter lösen
- Filterbeutel und -behälter reinigen



(1) Reinigung des Standardfilters

1. Drehen Sie die Halterungen (an beiden Filterseiten) 180° in dieselbe Richtung. Entfernen Sie Korb und Filter von hinten aus dem Sauger.
2. Nehmen Sie den Filter aus dem Korb.
3. Reinigen Sie Filter und Korb.
4. Montieren Sie Filter und Korb erneut. Der Filter muss in die Fugen an beiden Seiten rutschen.



A



B



C



D



E

(2) Reinigungsschritte des kleinen oder grossen Mikrofilterbeutels (A-B-C-D)

1. Drehen Sie die Halterungen (an beiden Filterseiten) 180° in dieselbe Richtung. Entfernen Sie Korb und Filter von hinten aus dem Sauger.
2. Nehmen Sie den Filter aus dem Korb.
3. Reinigen Sie Filter und Korb.
4. Montieren Sie Filter und Korb erneut.



A



B



C



D

5.3 Prüfen Sie, ob der Antrieb schmutzig ist. Falls ja, entfernen Sie Schmutzpartikel und reinigen

6. Entsorgung des akkus

Der Akku-Poolsauger besitzt einen NI-MH- Akku, der gemäß den geltenden Vorschriften entsorgt werden muss. Für weitere Informationen wenden Sie sich an die örtlichen Behörden.

WARNHINWEISE

- Versuchen Sie nicht, den NI-MH-Akku auseinanderzubauen.
- Legen Sie alle persönlichen Gegenstände wie Ringe, Armbänder, Halsketten und Uhren ab, bevor Sie das Kabel zwischen Akku und Sauger lösen.
- Der Akku kann einen starken Kurzschluss auslösen, bei dem Ringe oder andere Metallgegenstände schmelzen und schwere Verbrennungen hinterlassen könnten.
- Tragen Sie beim Ausbau des Akkus einen vollständigen Augenschutz, Schutzhandschuhe und Schutzkleidung.
- Achten Sie darauf, den Kabelstrang nicht zu berühren und diesen nicht mit Metallteilen in Kontakt zu bringen, die Funken erzeugen und/oder Kurzschlüsse des Akkus auslösen könnten.
- Machen Sie in der Nähe des Saugers kein Feuer und sorgen Sie dafür, dass keine Funken oder Flammen auftreten. Der Akku entwickelt möglicherweise Gase, die sich letztendlich entzünden können.
- Bringen Sie den Akku nicht in die Nähe von Feuer und starker Hitze, dabei besteht Explosionsgefahr.
- Sollte der Akku undicht sein, vermeiden Sie den Kontakt mit der ausgetretenen Säure und stecken Sie den beschädigten Akku in einen Plastikbeutel.
- Sollte die Säure mit Haut oder Kleidung in Berührung kommen, waschen Sie diese sofort gründlich mit Wasser und Seife aus.
- Sollte die Säure mit den Augen in Berührung kommen, spülen Sie sie sofort mindestens 15 Minuten lang mit klarem Wasser aus und suchen Sie unverzüglich einen Arzt auf.

6.2 Schritte beim Wechsel der Batterie

- (1) Drücken Sie Taste „a“ und verschieben Sie sie in Pfeilrichtung, bis sie sich aus dem Steckplatz des Steckers löst (wie in Diagramm A dargestellt).
- (2) Halten Sie das Gehäuse, während Sie den Stecker drehen und lösen Sie die Fassung der Batterie aus dem Gehäuse (wie „b1“ in Diagramm B zeigt).

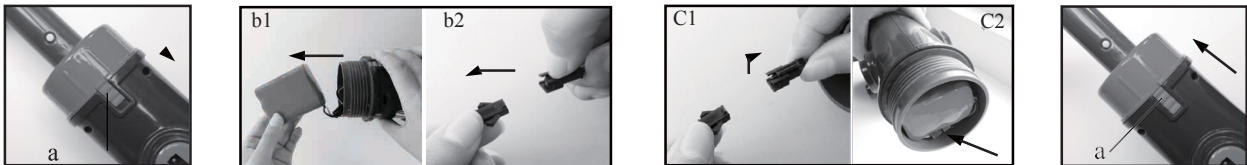
Hinweis: Bitte ziehen Sie nicht zu stark an der Batteriegruppe und lösen Sie Batterie und Verbindungselement. ,Fig[b2]

- (3) Entfernen Sie die benutzte Batterie und ersetzen Sie sie durch eine neue Lithiumbatterie. Verbinden Sie zunächst Batterie und Verbindungselement im Batteriehalter (siehe Punkt „C“, Abbildung „C“); anschließend legen Sie die Batterie ein.

Hinweis: Die Batterie muss sich an der richtigen Stelle befinden, also 10 mm von der Verbindungsschnittstelle entfernt, der Draht an der freien Stelle der Seite.

(Siehe „C“, Bild „C“).

- (4) Drehen Sie den Stecker im Gehäuse im Uhrzeigersinn, bis sich die Taste „a“ in die Steckfläche des Steckers einpasst (wie in Abbildung D dargestellt).
- (5) Nun können Sie ein Reinigungsmittel entsprechend den Anweisungen verwenden.



7. Funktion

ACHTUNG!

Den Sauger niemals beschädigt verwenden.

Eindringende Schmiermittel können die Flüssigkeit verschmutzen.

Verwenden Sie den Sauger nicht, wenn sich Menschen oder Tiere im Wasser befinden.

Stellen Sie vor dem Einschalten sicher, dass sich der Sauger komplett unter Wasser befindet. Verwenden Sie ihn NIEMALS außerhalb des Wassers. Dies beschädigt Wellenabdichtungen und Motor und die Garantie ERLISCHT.

Verwenden Sie den Sauger NIEMALS ohne einen perfekt eingebauten Filter. Bei einem nicht perfekt eingebauten Filter ERLISCHT die Garantie.

Es besteht das Risiko des Ansaugens. Vermeiden Sie, dass Haare, Körperteile und Kleidungsstücke mit der Rohröffnung in Kontakt kommen, wenn der Sauger in Betrieb ist.

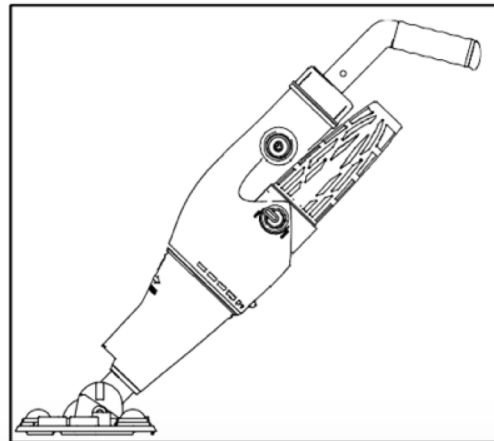
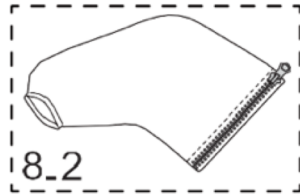
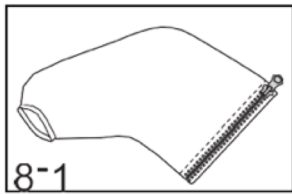
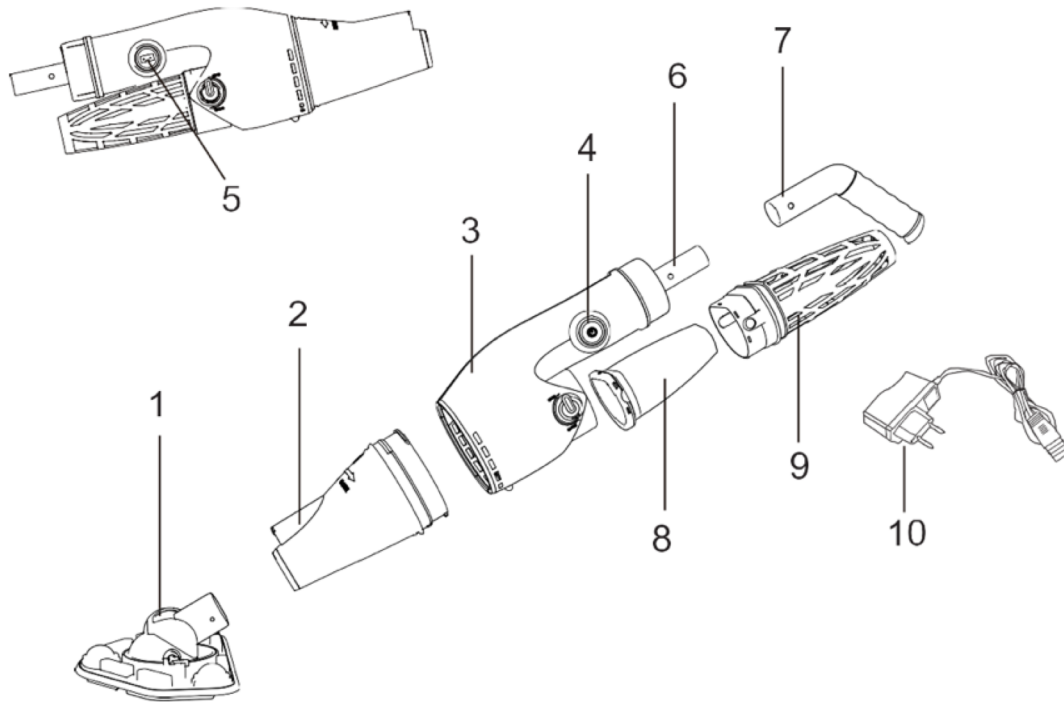
Stecken Sie niemals Körperteile, Kleidungsstücke oder sonstige Gegenstände in die Öffnungen oder mobilen Komponenten des Saugers.

Verwenden Sie ihn nicht zum Aufsaugen giftiger, brennbarer oder entzündbarer Stoffe oder in der Nähe brennbarer oder explosiver Dämpfe.

8. Probleme und Abhilfen

Problem	Mögliche Ursache	Abhilfen
Der Sauger saugt keinen Schmutz auf.	Akku schwach	Akku laden. Normale Akkulaufzeit nach vollständiger Aufladung: 45-60 Min.
	Rotor blockiert	Spannung des Geräts unterbrechen und durch Sichtprüfung im Saugerbereich feststellen, ob der Rotor blockiert ist. Die beiden Kreise des Rotors lassen sich zwecks erhöhter Flexibilität mit der Hand drehen. ACHTUNG: Vergewissern Sie sich vor dem Wartungsvorgang, dass das Gerät sicher ausgeschaltet ist.
	Rotor defekt	Wenden Sie sich zwecks Austauschs an Ihren Fachhändler.
	Filter voll	Beide Filter reinigen.
Aus dem Filter tritt Schmutz aus.	Filterbeutel beschädigt	Beutel auswechseln.
Der Griff/Schaft für den Teleskopstab lässt sich nicht dicht mit dem Gerät verbinden.	Seitliche Verriegelungen defekt	Seitliche Verriegelungen auswechseln.
Der Sauger lässt sich nicht aufladen.	Akku defekt	Wenden Sie sich zwecks Austauschs des Akkus an Ihren Fachhändler. Hinweis: Wenden Sie sich beim Austausch des Akkus an Ihren örtlichen Fachhändler und erwerben Sie einen Original-Lithium-Akku, um das Gerät nicht zu beschädigen.
	Ladegerät funktioniert nicht	Wenden Sie sich zwecks Austauschs des Ladegeräts an Ihren Fachhändler. Hinweis: Bei Einsatz eines falschen Ladegeräts können Akku oder Sauger beschädigt werden und die Garantie erlöschen.

Electrical Vacuum Cleaner



Battery: 11.1 V DC, 5000 mAh
Charging voltage : 12.6V DC, 1000mAh
Motor Voltage : 12 V DC

- 1. Testina girevole
- 2. Copertura anteriore trasparente
- 3. Corpo della scopa elettrica
- 4. Pulsante di accensione e spegnimento
- 5. Chiusura e connettore per il caricatore
- 6. Connettore impugnatura/manico

- 7. Impugnatura
- 8. Standard filter bag
- 8.1 Small micro filter bag
- 8.2 Bigger micro bag
(optional, no tinto the shipment)
- 9. Basket
- 10. Caricatore

RACCOMANDAZIONI SULLA SICUREZZA E ISTRUZIONI PER L'USO

Leggere e seguire tutte le istruzioni riportate nel presente manuale. Il mancato rispetto di quanto prescritto può causare lesioni gravi e persino mortali.

ATTENZIONE!

- Questo apparecchio può essere utilizzato da bambini dagli 12 anni in su e da persone con ridotte abilità fisiche, sensoriali o mentali o prive di esperienza e competenza, esclusivamente o previo formazione relativa all'utilizzo del dispositivo in piena sicurezza assicurandose che abbiano compreso i rischi ad esso associati
- I bambini non devono giocare con l'apparecchio e non devono effettuare operazioni di pulizia e manutenzione senza la supervisione di un adulto.
- Utilizzare esclusivamente il caricatore originale fornito.
- Assicurarsi che l'aspiratore sia immerso completamente in acqua prima di avviarlo. Non utilizzare il dispositivo fuori dall'acqua. Ciò potrebbe danneggiare il sistema/motore con il conseguente annullamento della garanzia.
- Profondità massima di utilizzo in acqua: 3 metri.
- Temperatura di utilizzo dell'apparecchio: tra 4 °C e 36 °C
- Non utilizzare mai l'apparecchio qualora risulti danneggiato.
- Provvedere al più presto alla sostituzione dei componenti o delle parti di assemblaggio danneggiate. Utilizzare esclusivamente ricambi certificati dal produttore o dal rivenditore.
- Rimuovere la pulitrice dal caricatore ed accertarsi che sia spenta prima di utilizzarla.
- Non utilizzare mai la pulitrice in presenza di persone o animali in acqua.

- Grave rischio di aspirazione. Questa pulitrice genera un'aspirazione. Prestare attenzione affinché capelli, parti del corpo o dei vestiti non entrino in contatto con il foro di aspirazione dell'apparecchio mentre è in funzione.
- Non introdurre parti del corpo, vestiti o altri oggetti nelle aperture e nelle parti mobili dell'aspiratore.
- Non utilizzare questo aspiratore per aspirare sostanze tossiche, infiammabili o combustibili liquidi, come benzina e non utilizzare in presenza di vapori esplosivi o infiammabili.
- Non tentare di smontare o sostituire da soli e in alcun modo l'elica o il motore.
- Questo aspiratore è concepito per essere utilizzato esclusivamente in acqua e non per altri scopi.
- Non utilizzare l'apparecchio per altri scopi che non siano la pulizia della piscina / spa.
- Utilizzare gli accessori originali forniti insieme al prodotto.
- È sconsigliato l'utilizzo della pulitrice contemporaneamente a un altro apparecchio.
- Evitare di aspirare oggetti appuntiti. Potrebbero danneggiare la pulitrice e il filtro.
- Prestare attenzione quando si puliscono i gradini della scaletta della piscina.
- Ricaricare la pulitrice all'interno, in un luogo pulito, asciutto e ben ventilato.
- Nel caso in cui la pulitrice non venga utilizzata per un lungo periodo, scollegarla dal caricatore e pulire e asciugare l'apparecchio e i suoi accessori con un panno

- asciugare l'apparecchio e i suoi accessori con un panno asciutto. Conservarli in un luogo ben ventilato, al riparo dai raggi solari, fuori dalla portata dei bambini, da fonti di calore, da fonti infiammabili e da prodotti chimici. Non lasciare mai l'apparecchio collegato quando non viene utilizzato per un lungo periodo. Ricaricare l'apparecchio ogni tre mesi.
- Se la parte trasparente posta sul corpo dell'apparecchio non viene utilizzata, rimuoverla dall'aspiratore elettrico.
- Le avvertenze e le precauzioni qui riportate non possono prevedere tutte le situazioni di rischio e di lesioni gravi. I proprietari della piscina e della spa devono agire con la massima prudenza e con senso di responsabilità ogniqualvolta utilizzano l'aspiratore.

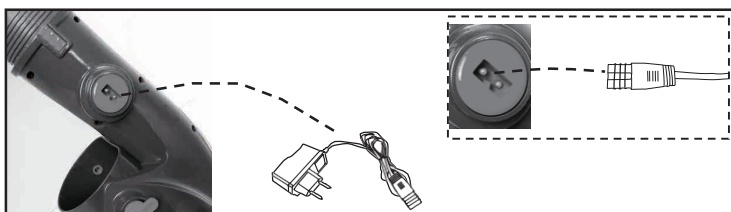
Caricatore

Da utilizzarsi esclusivamente in ambienti interni. Non utilizzare il caricatore all'aria aperta, non esporlo alla pioggia, all'umidità, a sostanze liquide e al calore.

- Mantenere il caricatore fuori dalla portata dei bambini.
- Non utilizzare il caricatore qualora risulti danneggiato.
- Non maneggiare il caricatore con le mani bagnate.
- Non maneggiare l'aspiratore o il caricatore in funzione con le mani bagnate o a piedi nudi.
- Scollegare il caricatore dalla corrente elettrica mentre non è in funzione.
- Nel caso in cui il cavo di alimentazione risulti danneggiato, la sostituzione deve essere effettuata dal produttore, dal tecnico responsabile della manutenzione o da una persona qualificata, onde evitare qualsiasi rischio.
- Assicurarci che la pulitrice e il caricatore siano completamente asciutti prima di ricaricare

INZIARE A UTILIZZARE L'APPARECCHIO

1. Montaggio del caricatore

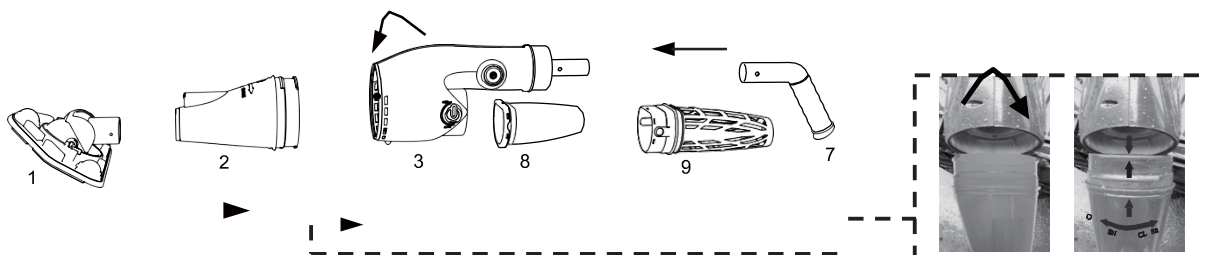


Nota: Questo prodotto può essere utilizzato esclusivamente sott'acqua, in caso contrario si arresterà.

HINWEIS: Caricare l'apparecchio per 5-6 ore prima di utilizzarlo per la prima volta. Normalmente l'apparecchio ha un'autonomia di utilizzo di 90 minuti dopo una carica completa.

1. Inserire un'estremità del cavo nella presa, si accenderà la luce verde
2. Collegare quindi un'estremità del caricatore al VCB50, si accenderà la luce rossa per indicare che il caricatore è in funzione.
3. Dopo 5-6 ore di carica la luce del caricatore diventerà verde e la carica del P1116 sarà completa.
4. È ora possibile utilizzare l'apparecchio.

2. Montaggio del manico

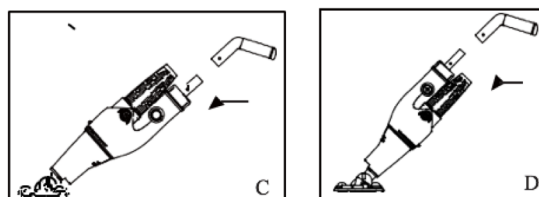
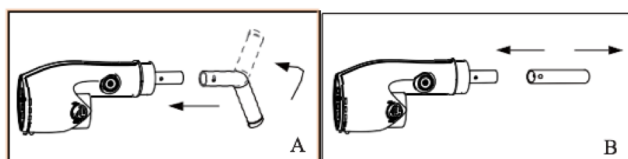


Per montare i vari componenti seguire la freccia indicata nel disegno e prestare attenzione all'INDICAZIONE di apertura/chiusura.

1) Manico portatile
Connesso direttamente al prodotto. Viene utilizzato per sollevare il VCB50 e pulire le pareti, i gradini, le sedute e gli angoli. Fig [A]

2) Assemblaggio asta
telescopica (non inclusa) Il VCB50 può anche essere utilizzato collegandovi delle aste telescopiche standard come indicato in figura. Fig [B]

3) Se necessario l'asta può essere posizionata come nelle figure "C" e "D".



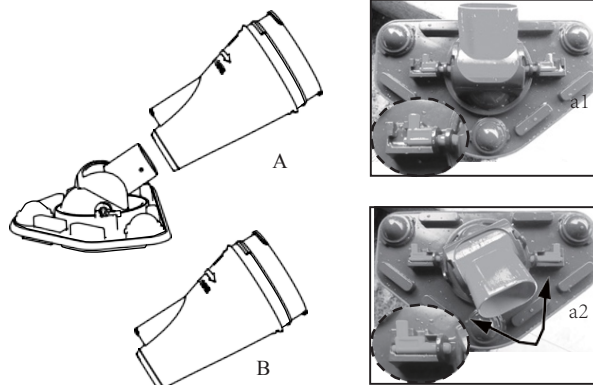
3. Montaggio della testina girevole

Inserire direttamente la testina girevole sulla base della copertura trasparente.

Per ottenere una migliore aspirazione, utilizzare la pulitrice come indicato:

- Inserire la testina girevole per aspirare sassolini e foglie come indicato in figura A.
- Non è necessario utilizzare la testina girevole per aspirare pietre e altri rifiuti di grandi dimensioni, come indicato in figura B.

Gli spazzolini della testina girevole possono essere estratti dalla testina.



Le spazzole della testina di aspirazione possono essere rimosse tirandole direttamente dalla testina.

Per rivestimenti in vinile, liner e piscine in fibra di vetro si raccomanda di utilizzare la testina di aspirazione con le spazzole montate per evitare danni alla piscina stessa.

4. Montaggio del sacco filtrante

4.1 Come scegliere il sacco filtrante

(1) Sacco filtrante standard

Viene utilizzato per la pulizia quotidiana delle piscine, per rimuovere foglie, capelli, parti di piante e frutti.

2) Sacco filtrante micro piccolo

Viene utilizzato per rimuovere piccole particelle di sporco come polvere o fango.

3) Sacco filtrante micro più grande (si tratta di un optional da acquistare separatamente)

Viene utilizzato per piscine particolarmente sporche come a inizio stagione o dopo periodi di forti piogge.

4.2 Montaggio del sacco filtrante standard

(1) Introdurre il sacco filtrante nel cestello;

(2) Inserire il cestello all'interno del corpo della macchina;

(3) Agganciare il cestello con i due pulsanti come mostrato nelle figure C e D, mantenere ben fissati i due pulsanti mentre si utilizza l'apparecchio.



A



B



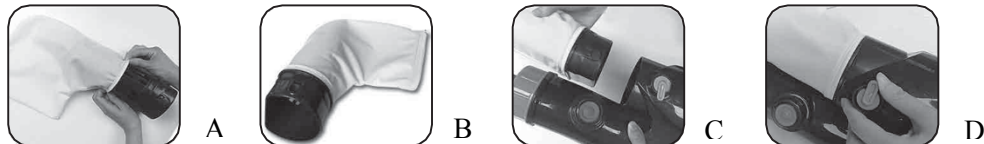
C



D

4.3 Montaggio del sacco filtrante micro piccolo o di quello più

- (1). Estrarre il cestello e inserirvi il sacco filtrante;
- (2). Montare il cestello sul corpo della macchina.
- (3) Agganciare il cestello con i due pulsanti come mostrato nelle figure C e D, mantenere ben fissati i due pulsanti mentre si utilizza l'apparecchio.



5. Pulizia dell'aspiratore dopo l'utilizzo

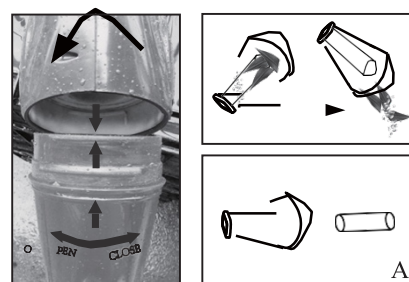
Rimuovere la copertura trasparente posta sulla parte anteriore (seguendo le istruzioni OPEN-CLOSE, ruotare di 90° verso OPEN), rimuovere i rifiuti e lavare la parte.

Rimuovere il filtro e il sacchetto del filtro, eliminare le impurità e pulire il sacchetto del filtro.

Verificare che non vi siano impurità nell'elica e, se necessario, provvedere alla pulizia.

Fasi di pulizia del sacchetto del filtro posteriore.

- Rimuovere il sacchetto e il serbatoio filtrante dalla parte posteriore della pulitrice.
- Rimuovere il sacchetto dal serbatoio.
- Pulire il sacchetto e il serbatoio.



(1) Fasi di pulizia del sacco filtrante standard(A-B-C-D-E):

1. Ruotare entrambi i pomelli di fissaggio (posti su entrambi i lati del sacco filtrante) di 180° nella medesima direzione, estrarre il cestello e il sacco filtrante dalla parte posteriore dell'apparecchio.
2. Estrarre il sacco filtrante dal cestello.
3. Pulire il cestello e il sacco filtrante
4. Introdurre il sacco filtrante nel cestello assicurandosi che si incastrino bene da entrambi i lati.



(2) Le fasi di pulizia di una piccola borsa micro filtro o una borsa più grande micro filtro (A-B-C-D)

1. Ruotare entrambi i pomelli di fissaggio (posti su entrambi i lati del sacco filtrante) di 180° nella medesima direzione, estrarre il cestello e il sacco filtrante dalla parte posteriore dell'apparecchio.
2. Estrarre il sacco filtrante dal cestello.
3. Pulire il cestello e il sacco filtrante
4. Introdurre il sacco filtrante nel cestello.



5.3 Accertarsi che non vi siano rifiuti sul rotore, qualora ve ne fossero rimuoverli e pulire il rotore.

6. Riciclo della batteria

La batteria della pulitrice elettrica per piscine è al NI-MH e deve essere riciclata in base alle normative vigenti. Per maggiori informazioni contattare le autorità locali.

AVVERTENZA

- Non tentare mai di smontare la batteria al NI-MH.
- Togliere tutti gli oggetti personali come anelli, bracciali, collane e orologi da polso quando si scollega il cavo che collega la batteria alla pulitrice.
- La batteria può causare un grave cortocircuito che potrebbe fondere un anello (o qualsiasi altro oggetto metallico) e provocare gravi ustioni.
- Quando si rimuove la batteria, utilizzare un dispositivo di protezione oculare completo, oltre a guanti e abbigliamento protettivo.
- Prestare attenzione a non toccare il gruppo di fili e a non consentire che entrino in contatto con elementi metallici che potrebbero causare scintille e/o cortocircuiti con la batteria.
- Non accendere mai fuochi o permettere che si creino scintille o fiamme nei pressi dell'aspiratore. La batteria può causare fuoriuscita di gas infiammabili.
- Non esporla al fuoco né a calore intenso, onde evitare il rischio di esplosioni.
- Nel caso in cui la batteria presentasse dispersioni, evitare il contatto con l'acido fuoriuscito e introdurre la batteria danneggiata in un sacchetto di plastica.
- Nel caso in cui l'acido entri in contatto con la pelle o con i vestiti, lavare immediatamente con acqua e sapone.
- Nel caso in cui l'acido entri in contatto con gli occhi, risciacquarli immediatamente con acqua fresca per almeno 15 minuti. Consultare immediatamente un medico.

6.2 Passaggi per sostituire la batteria

(1) Premere il pulsante "a" e muoverlo nel senso della freccia, fino a che non esca dalla scanalatura del connettore (come mostra la figura A).

(2) Sostenere il corpo mentre si ruota il connettore e lasciare uscire il supporto della batteria dal corpo (come indicato da "b1" nella figura B).

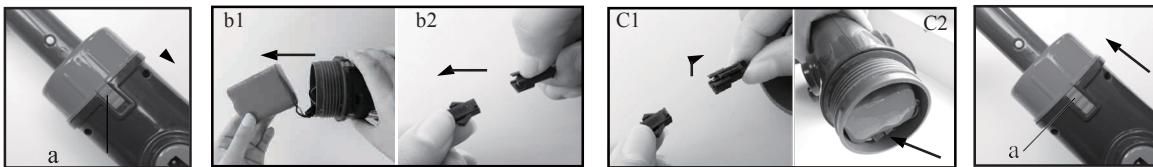
Nota: Non tirare con forza il gruppo della batteria. Rimuovere la batteria e l'elemento di fissaggio, Fig[b2]

(3) Rimuovere la batteria usata e sostituirla con una nuova al litio. Connettere la batteria all'elemento di fissaggio nel portabatteria, vedi alloggio "c1" nella figura "C", inserire quindi la batteria.

Nota: la batteria deve essere inserita nella posizione corretta, a circa 10mm di distanza dalla porta di connessione, il cavo deve essere posizionato nell'alloggio libero (vedi fig, "c2" nella figura "C")

(4) Ruotare il connettore nel corpo in senso orario, fino a che il pulsante "a" si adatti nella scanalatura del connettore (come mostra la figura D).

(5) Adesso è possibile utilizzare la pulitrice conformemente alle istruzioni.



7. Funzionamento

ATTENZIONE!

Non utilizzare l'apparecchio se risulta danneggiato.

La fuoriuscita di lubrificanti può contaminare l'acqua.

Non utilizzare l'apparecchio se vi sono persone/animali in acqua.

Prima di utilizzare l'apparecchio assicurarsi che sia totalmente immerso in acqua. NON utilizzarlo fuori dall'acqua in quanto ciò provocherebbe danni alle guarnizioni dell'albero motore/motore e ANNULEREBBE la validità della garanzia.

NON UTILIZZARE l'apparecchio in assenza di boccola e tasca del filtro intatti. In caso contrario la garanzia perderebbe validità.

Rischio di aspirazione per effetto ventosa L'aspiratore può creare un effetto ventosa sott'acqua, pertanto occorre mantenere capelli, parti di indumenti e altre parti del corpo lontano dalle aperture e dalle parti in movimento dell'apparecchio.

NON UTILIZZARE l'apparecchio per aspirare sostanze tossiche, infiammabili o combustibili come la benzina e non farlo funzionare in presenza di vapori esplosivi o infiammabili.

ATTENZIONE!

Utilizzare gli accessori originali forniti insieme al prodotto.

NON utilizzare l'aspiratore subito dopo un trattamento d'urto della piscina. Si consiglia di lasciar circolare l'acqua all'interno per almeno 24-48 ore.

NON lasciare l'aspiratore immerso in acqua quando non viene utilizzato.

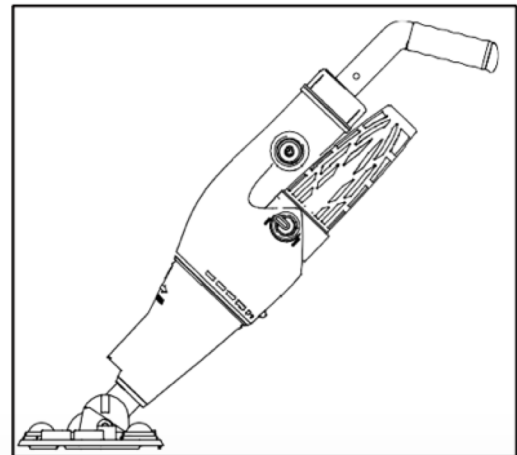
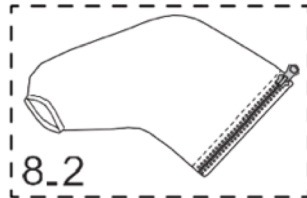
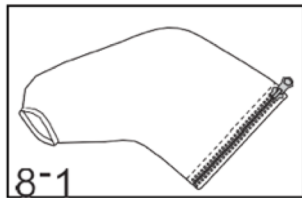
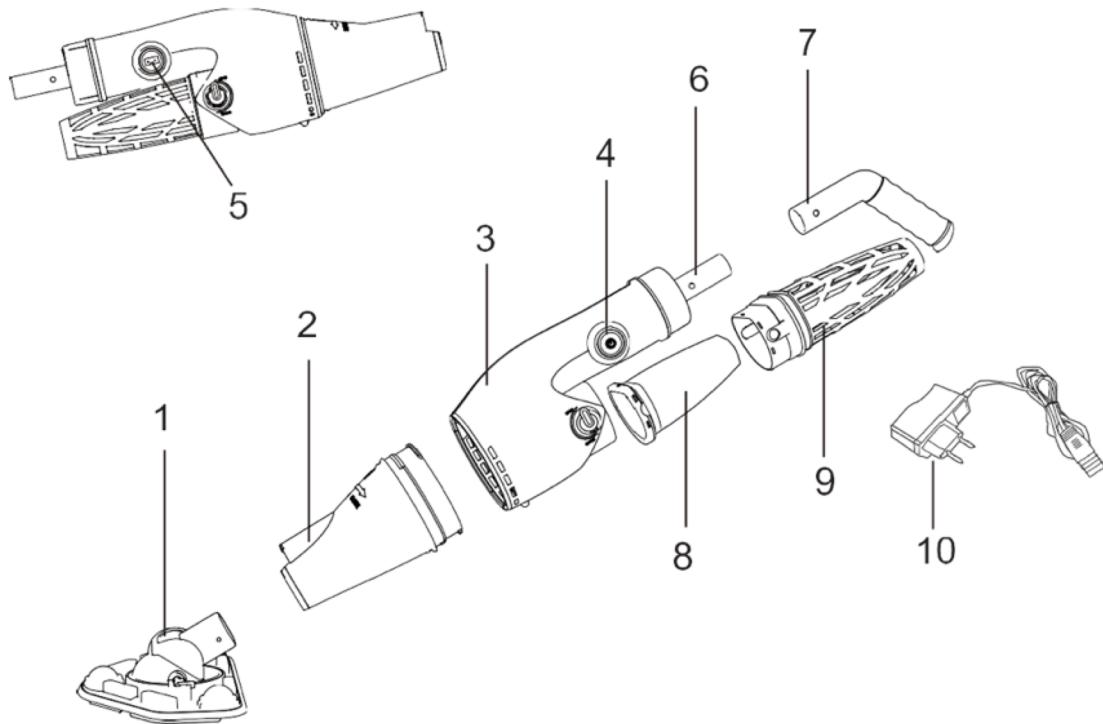
Il componente di aspirazione trasparente deve essere montato prima dell'accensione dell'aspiratore (è provvisto di un sistema di sicurezza che evita che le mani entrino in contatto con il rotore)

8. Problemo e soluzioni

Problema	Possibile causa	Soluzioni
La pulitrice non aspira i rifiuti.	Livello di batteria basso	Ricaricare la batteria. Tempo normale di utilizzo della batteria dopo una carica completa: 45-60 min.
	Il rotore è bloccato	Scollegare l'apparecchio dalla presa di corrente e verificare visivamente lo spazio all'interno dell'aspiratore per controllare l'eventuale blocco del rotore. Ruotare con la mano i due cerchi del rotore per renderlo più flessibile. AVVERTENZA: verificare che la pulitrice sia spenta quando si eseguono operazioni di manutenzione.
	Il rotore è rotto	Contattare il rivenditore per provvedere alla sostituzione.
	Il/i filtro(i) è (sono) pieno(i)	Pulire i due filtri.
I rifiuti fuoriescono dal filtro	Il sacchetto del filtro è danneggiato.	Sostituire il sacchetto.
L'impugnatura / il manico non chiude correttamente.	Le chiusure laterali sono rotte.	Sostituire le chiusure laterali.
Non è possibile ricaricare la pulitrice.	La batteria è difettosa.	Contattare il rivenditore per la sostituzione della batteria. Avvertenza: qualora fosse necessario sostituire la batteria, contattare il rivenditore locale per acquistare una batteria al litio originale, onde evitare danni all'apparecchio.
	Il caricatore non funziona.	Contattare il rivenditore per la sostituzione del caricatore. Avvertenze: L'utilizzo di un caricatore non conforme può danneggiare la batteria o la pulitrice e annullare la garanzia.

NL

Electrical Vacumm Cleaner



Battery: 11.1 V DC, 5000 mAh
Charging voltaje : 12.6V DC, 1000mAh
Motor Voltage : 12 V DC

1. Draaikop
2. Transparant voorstuk
3. Body van het reinigungsapparaat
4. Knop voor aan en uit
5. Dop en aansluiting voor de
6. Oplader

7. Handvat
8. Standard filter bag
- 8.1 Small micro filter bag
- 8.2 Bigger micro bag
(optional, no tinto the shipment)
9. Basket
10. Oplader

VEILIGHEIDSWAARSCHUWINGEN & INSTRUCTIES

Alle instructies in deze handleiding voor het apparaat lezen en opvolgen. Als u nalaat dit te doen, kan dit resulteren in ernstig of dodelijk letsel.

WAARSCHUWING!

- Dit apparaat mag alléén worden gebruikt door kinderen van 8 jaar en ouder en personen met een lichamelijke, zintuiglijke of verstandelijke hándicap of gebrek aan ervaring en kennis, indien zij order begrijpen die met het gebruik gepaard gaan. Kinderen mogen niet spelen met dit apparaat. Teinigen en onderhoud van het apparaat mag niet door kinderen zonder toezicht worden uitgevoerd.
- Het apparat mag alléén worden gebruikt met de voedingseenheid die bij het apparaat is geleverd.
- Deze stofzuiger is niet geschikt voor gebruik door personen met een lichamelijke, zintuiglijke of geestelijke invaliditeit, noch door onkundige personen of die geen ervaring of kennis hebben voor juist gebruik van het apparaat, behalve wanneer een persoon die verantwoordelijk is voor hun veiligheid hen de instructies geeft die nodig zijn om het apparaat te gebruiken.
- Dit apparaat is geen speelgoed. Houd kinderen goed in de gaten opdat ze niet spelen met het apparaat of bijbehorende accessoires. Sta niet toe dat kinderen gebruiken maken van dit apparaat. De stofzuiger en zijn accessoires buiten het bereik van kinderen opbergen.

- Verzeker u ervan dat de stofzuiger zich geheel onder water bevindt voordat u hem aanzet. Gebruik het apparaat niet buiten het water. Dit kan het systeem en/of de motor beschadigen en de garantie komt te vervallen.
- Maximale diepte voor gebruik onder water: 3 meter.
- Gebruikstemperatuur van het apparaat: tussen 4 °C en 36 °C
- Nooit het apparaat gebruiken als u een beschadiging heeft ontdekt.
- Onderdelen of assemblages die beschadigd zijn moeten zo snel mogelijk te vervangen. Gebruik uitsluitend door de fabrikant of de distributeur gecertificeerde vervangingsonderdelen.
- Haal het reinigingsapparaat los van de oplader en verzeker u ervan dat het apparaat is uitgeschakeld voordat u het klaarmaakt voor gebruik.
- Gebruik het reinigingsapparaat niet wanneer zich personen of huisdieren in het water bevinden.
- Ernstig zuiggevaar. Dit reinigingsapparaat genereert een sterke zuigkracht. Voorkom dat uw haar, lichaam of losse gedeeltes van uw kleding in contact komen met het zuigvat van het in werking zijnde apparaat.
- • Stop nooit lichaamsdelen, kleding of andere of andere objecten in de openingen of bewegende onderdelen van de stofzuiger.

- Gebruik deze stofzuiger nooit om toxische of brandbare substanties mee op te zuigen noch vloeibare brandstoffen zoals benzine, en zet hem nooit aan wanneer er ontvlambare of explosieve dampen zijn.
- Probeer nooit om zelf de schroef of de motor te demonteren of vervangen, welke methode u daarvoor ook zou willen gebruiken.
- Deze stofzuiger is uitsluitend bedoeld voor gebruik onder water en niet voor gebruik als multifunctionele stofzuiger.
- Niet bedoeld om iets anders dan uw zwem- of bubbelbad te reinigen.
- Gebruik de originele accessoires die met dit product zijn meegeleverd.
- Het is niet aanbevolen om dit apparaat tegelijk met een ander apparaat te gebruiken.
- Voorkom dat u scherpe voorwerpen opzuigt met dit apparaat. Deze kunnen het apparaat en het filter beschadigen.
- Wees voorzichtig wanneer u de treden/sporten van de zwembadtrap reinigt.
- De stofzuiger binnenshuis opladen, op een schone, droge goedgeventileerde.
- Wanneer u de stofzuiger gedurende langere periode niet zult gebruiken, loshalen van de oplader en de stofzuiger plus accessoires droog- en reinigen met een droge doek. Opbergen op een donkere, goed geventileerde plek, niet in de buurt van warmtebronnen, open vuur, chemische producten en buiten het bereik van kinderen opbergen. Laat het apparaat nooit voor langere tijd aangesloten op het

geventileerde plek, niet in de buurt van warmtebronnen, open vuur, chemische producten en buiten het bereik van kinderen opbergen. Laat het apparaat nooit voor langere tijd aangesloten op het stroomnet wanneer het voor langere tijd wordt opgeslagen. Het apparaat moet wel eens per drie maanden worden opgeladen om de batterij goed te houden.

- Als het transparante deel van de body niet wordt gebruikt, moet deze van de elektrische stofzuiger worden losgehaald.
- Het is niet mogelijk dat de waarschuwingen en voorzorgsmaatregelen die hier zijn genoemd alle risicosituaties of mogelijkheden op ernstig letsel dekken. De eigenaren van het zwem- of bubbelbad moeten altijd met de grootst mogelijke voorzichtigheid te werk gaan en hun gezonde verstand gebruiken wanneer ze de stofzuiger gebruiken.

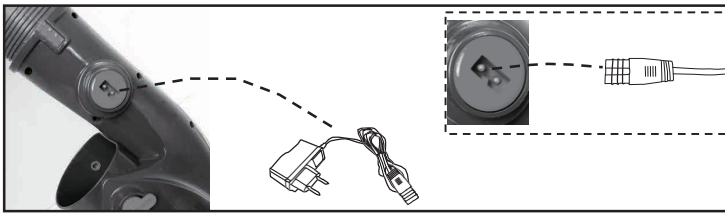
Oplader

Uitsluitend binnenshuis gebruiken. De oplader mag niet in de open lucht worden gebruikt en ook mag hij niet worden blootgesteld aan regen, vochtigheid, geen enkel type vloeibaar materiaal en evenmin aan hitte.

- Houd de oplader buiten het bereik van kinderen.
- Gebruik de oplader nooit als u een beschadiging heeft ontdekt.
- De oplader nooit vastpakken met natte handen.
- De stofzuiger of de oplader nooit met natte handen of blootsvoets vastpakken wanneer ze in gebruik zijn.
- Haal de stekker van de oplader uit het stopcontact wanneer deze niet in werking is.
- In het geval dat de voedingskabel beschadigd is, moet de vervanging ervan worden uitgevoerd door de fabrikant, zijn onderhoudsagent of een andere gekwalificeerde persoon om elk mogelijk risico te voorkomen.
- Verzekeer u ervan dat zowel het reinigingsapparaat als de oplader geheel droog zijn voordat het apparaat wordt opgeladen.
- Assicurarsi che la pulitrice e il caricatore siano completamente asciutti prima di ricaricare l'apparecchio.

BEGINNEN

1. Oplader gebruiken

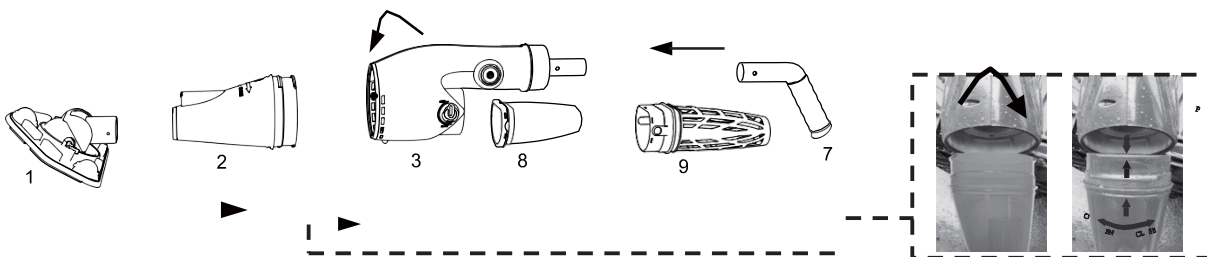


Let op: Dit product kan alléén onder water werken, als het uit het water is, zal het stoppen met werken.

LET OP: Laad de stofzuiger 5-6 uur voor de eerste keer gebruiken op. Gewoonlijk kan de stofzuiger 90 minuten nadat volledig is opgeladen worden gebruikt.

1. Steek de ene stekker van de lader in het stopcontact, en de oplader wordt groen.
2. Vervolgens, het andere stekkertje van de lader in de VCB50 steken, de oplader wordt rood, de oplader is nu in werking.
3. Nadat de oplader 5-6 uur heeft opgeladen, wordt hij groen, de P1116 is nu geheel opgeladen.
4. Nu is hij klaar voor gebruik.

2. Handvat monteren

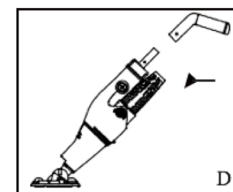
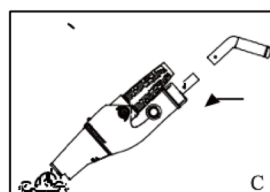
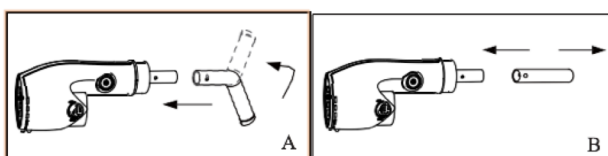


Volg richting van pijl om de delen van de body te monteren en let op het TEKEN voor openen

(1). Draagbaar handvat aansluiten in het apparaat zelf. Het draagbare handvat wordt gebruikt om de VCB50 op te tillen om de wand, trap, zitjes, hoeken te reinigen. Fig [A]

2). Telescoopstang (niet bijgeleverd)monteren VCB50 kan ook worden gemonteerd aan de standaard telescoop-stangen volgens de afbeeldingen. Fig[B]

(3). Indien nodig, kan de stang worden gemonteerd in de richting zoals afbeelding "C" en "D" tonen.

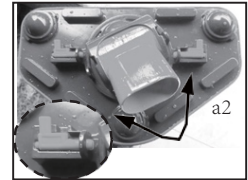
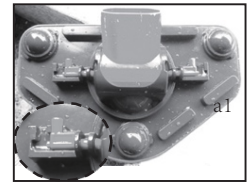
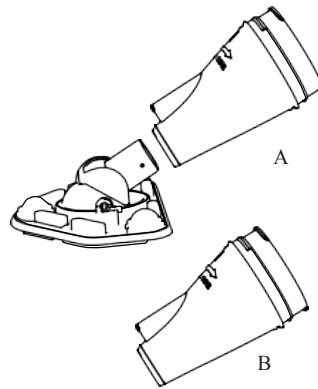


3. Montage van de draaikop

I Plaats de draaikop direct op de basis van het transparante voorstuk.

Voor het beste zuigresultaat, het reinigungsapparaat gebruiken zoals aangegeven:

- Steek de draaikop in voor het zuigen van kiezels en bladeren zoals op afbeelding A.
- Het is niet nodig om de draaikop te gebruiken voor het opzuigen van stenen en andere grote stukken rommel, zoals op afbeelding B te zien is.



Borstels aan de zuigkop kunnen worden verwijderd door ze met de hand uit de kop te trekken. Voor vinyl, liner en polyester baden, wordt aangeraden om de borstels op de zuigkop te laten om schade aan uw bad te voorkomen.

4. Filterzak monteren

4.1 Hoe kies je de juiste filterzak

(1). Standaard filterzak

Deze wordt gebruikt voor de dagelijkse zwembadreiniging, voor bladeren, haren, takjes, vruchten.

(2). Kleine microfilterzak

Deze wordt gebruikt voor kleine vuildeeltjes, zoals stof of modder.

(3). Grotere microfilterzak (deze is optioneel, moet los worden gekocht)

Deze wordt gebruikt voor vuile zwembaden, of bij veel vuil in het zwembad, zoals aan het begin van het seizoen, na zware buien of regen.

4.2 Hoe plaats je de standaard filterzak

((1). Plaats de filterzak in het mandje;

(2). Plaats de complete filtermand in de body van het apparaat;

(3). Zet de filtermand met twee knoppen op de volgende manier C & D, goed vast, sluit de knoppen tijdens



A



B



C



D

4.3 Hoe plaats je de kleine microfilterzak of de grotere

- (1) Trek de filterzak aan de buitenkant om de mand heen;
- (2) Plaats de complete filtermand in de body van het apparaat;
- (3) Zet de filtermand met twee knoppen op de volgende manier C & D, goed vast, sluit de knoppen tijdens gebruik.



A



B



C



D

5. Reinigen van de stofzuiger na gebruik

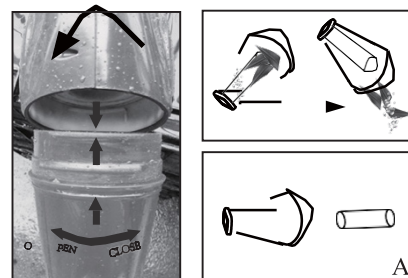
Verwijder het transparante voorstuk (volg hierbij de aanduiding OPEN-CLOSE, draai 90° naar OPEN), verwijder het vuil en was hem.

Verwijder het filter en de filterzak, haal het vuil eruit en reinig de filterzak.

Controleer of er vuiligheid aan de schroef zit en verwijder dat als dat zo is.

Stappen voor reiniging van de achterste filterzak.

- Verwijder de filterzak en het -reservoir uit het achterste deel van het reinigungsapparaat.
- Maak de zak los van het reservoir.
- Reinig de zak en het reservoir.



(1) De stappen voor reinigen van de standaard filterzak(A-B-C-D-E):

1. Draai beide bevestigingsknoppen (aan weerszijde van de filterzak) 180 graden dezelfde kant op, trek de mand en de filterzak er aan de achterkant van de zwembadzuiger eruit.
2. Maak de filterzak los van de filtermand.
3. Reinig de filterzak en de filtermand.
4. I Plaats de filterzak terug in de filtermand, de filterzak moet samenvallen met de sleuven aan weerszijden.



A



B



C



D



E

(2) De stappen voor reinigen van de kleine of grotere microfilterzak (A-B-C-D-E):

1. Draai beide bevestigingsknoppen (aan weerszijde van de filterzak) 180 graden dezelfde kant op, trek de mand en de filterzak er aan de achterkant van de zwembadzuiger eruit.
2. Maak de filterzak los van de filtermand.
3. Reinig de filterzak en de filtermand.
4. Plaats de filterzak terug op de filtermand.



5. 3 Controleer of er vuil op het motorwiel zit. Als dat zo is, afval eruit halen, en het wiel reinigen.

6. Recyclen van de accu

De accu van het elektrische reinigingsapparaat voor zwembaden is van NI-MH en moet volgens de geldende regels worden gerecycled. Neem contact op met uw plaatselijke autoriteiten voor meer informatie.

WAARSCHUWING

- Nooit een NI-MHaccu opzettelijk beschadigen.
- Ontdoe u van alle persoonlijke objecten zoals ringen, armbanden, kettingen en polshorloges wanneer de kabel tussen de accu en het reinigingsapparaat losmaakt.
- De accu kan hevige kortsluiting veroorzaken die een ring (of enig ander element van metaal) doen smelten en ernstige brandwonden veroorzaken.
- Gebruik een afsluitende veiligheidsbril tezamen met handschoenen en beschermende kleding wanneer u de accu loshaalt.
- Zorg ervoor dat u de bundel met draden niet aanraakt en kijk uit dat het niet in contact komt met metalen elementen die vonken en/of kortsluiting met de accu kunnen veroorzaken.
- Nooit vuur aansteken en voorkom dat er vonken of vlammen kunnen optreden in de buurt van de stofzuiger. De accu kan gas afgeven en in het ergste geval ontvlammen.
- Niet blootstellen aan vuur of intense hitte gezien dit tot een explosie kan leiden.
- In het geval dat de accu lekkage vertoont, vermijd contact met het gemorste accuzuur en doe de beschadigde accu in een plastic zak.
- Als het zuur in contact komt met de huid of kleding, was ze onmiddellijk en rijkelijk met water en zeep.
- Als het zuur in contact komt met de ogen, spoel ze onmiddellijk met koud water gedurende tenminste 15 minuten. Neem zo snel mogelijk contact op met een arts.

6.2 Stappen voor het vervangen van de batterij

(1) Druk op knop “a” en verschuif hem in de richting van de pijl, totdat hij los komt uit de sleuf van de aansluiting (zoals te zien is op afbeelding A).

(2) Houd de body vast terwijl u de aansluiting losdraait en haal de batterijhouder uit de body (zoals “b1” laat zien op afbeelding B).

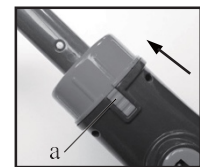
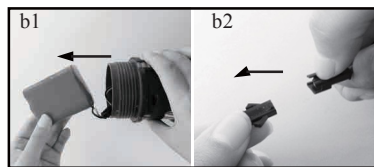
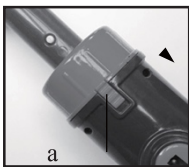
Let op: Niet hard aan de batterijgroep trekken; ontgrendel de batterij en de sluiting. Zie afb. [b2].

(3) Verwijder de gebruikte batterij en vervang deze door een nieuwe lithium-batterij. Eerst de batterij in de batterijhouder plaatsen en sluiten – voor de juiste plaats zie “c1” op afbeelding “C” – en daarna de batterij in het apparaat plaatsen.

Let op: De batterij moet in de juiste positie worden geplaatst, ongeveer 10 mm van de aansluitpoort, en de draad gaat in de ongebruikte ruimte aan de zijkant (zie “c2” op afbeelding “C”)

(4) De aansluiting op de body terugplaatsen en in de richting van de wijzers van de klok draaien, totdat knop “a” in de sleuf van de aansluiting valt (zoals te zien is op afbeelding D).

(5) Nu kunt u de reiniger weer volgens de instructies gebruiken.



7. Werking

WAARSCHUWING!

Gebruik de stofzuiger niet als er een defect is gevonden.

Door lekkage van smeermiddelen kan er vervuiling van het water ontstaan. Gebruik deze stofzuiger niet als er mensen of huisdieren in het water zijn.

Zorg ervoor dat de stofzuiger zich volledig onder water bevindt voordat hij wordt aangezet. NIET GEBRUIKEN als hij buiten het water is. Dit zal leiden tot het kapot gaan van de stangafdichtingen/motor, en het vervallen van de garantie.

De stofzuiger NIET GEBRUIKEN als er geen intacte filtersok en -mouw is geplaatst. Als u uw stofzuiger gebruikt zonder dat er een intacte filtersok en -mouw is geplaatst, komt de garantie te vervallen.

Beknellingsgevaar door zuiging Gevaar. Dit reinigingsapparaat produceert zuigkracht. Voorkom dat haar, lichaamsdelen of loshangende delen van uw kleding in contact komen met de zuigopening van de stofzuiger als deze in werking is.

Steek nooit lichaamsdelen, kleding of andere voorwerpen in de openingen en bewegende delen van de stofzuiger.

NIET GEBRUIKEN om toxische, ontvlambare of brandbare stoffen zoals benzine, op te zuigen, en niet gebruiken in de aanwezigheid van explosieve of ontvlambare dampen.

PAS OP!

Gebruik de originele accessoires die bij dit product zijn geleverd.

Deze stofzuiger NIET GEBRUIKEN direct na shockbehandeling van het bad. Aangeraden is om het badwater gedurende 24-48 uur te laten circuleren.

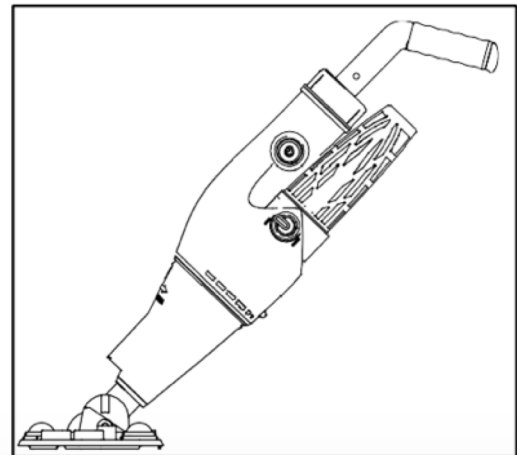
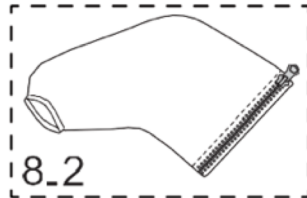
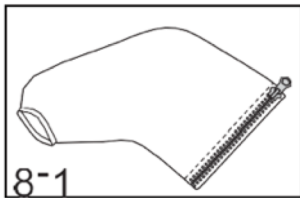
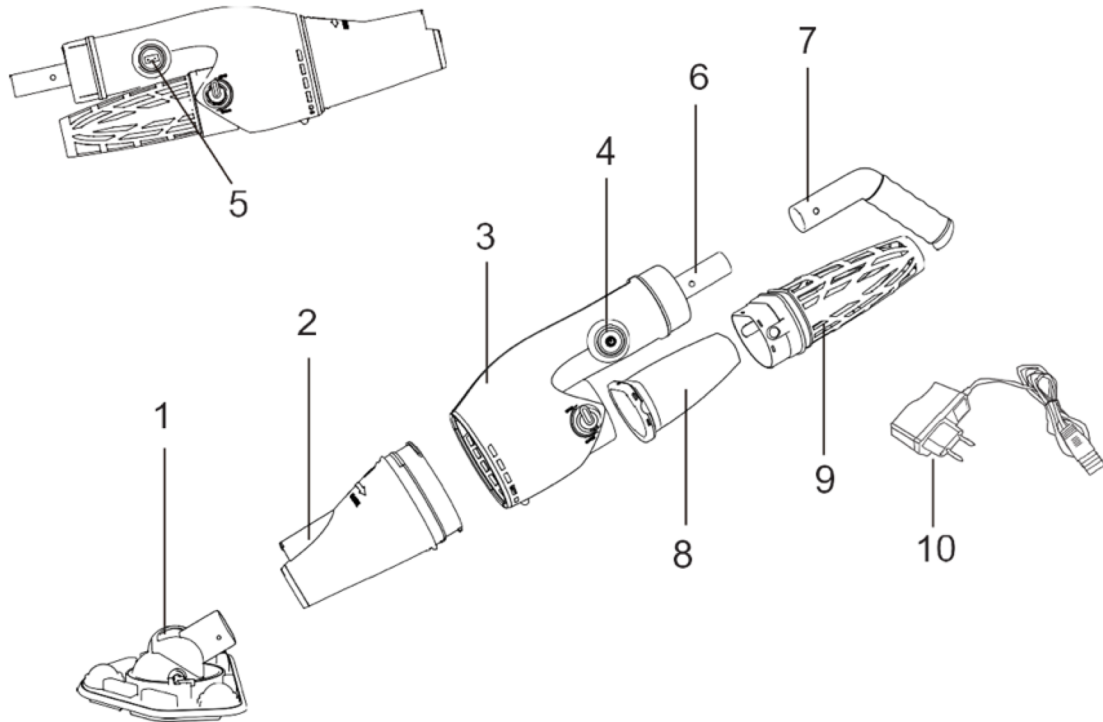
Laat de stofzuiger NIET in het water laten als hij niet wordt gebruikt.

Het transparante zuiggedeelte moet goed geïnstalleerd zijn voordat u de elektrische stofzuiger in gebruik neemt. (het transparante zuiggedeelte heeft een knopbeveiligingssysteem voor geval het wiel uw handen bezeert)

8. Problemen en oplossingen

Probleem	Mogelijke oorzaak	Oplossingen
Het reinigungsapparaat zuigt geen vuil op.	Accu leeg	Laad de accu op. Normale gebruikstijd van de accu indien geheel opgeladen: 45-60 min.
	De rotor is geblokkeerd	Haal de spanning van het apparaat en controleer de binnenruimte van de stofzuiger visueel om te zien of de rotor is geblokkeerd. Met uw hand kunt u de twee cirkels van de rotor met de hand draaien om hem flexibeler te maken. WAARSCHUWING: controleer of het reinigungsapparaat helemaal is uitgeschakeld wanneer u onderhoud gaat plegen.
	De rotor is kapot	Neem contact op met uw distributeur om hem te vervangen.
	Het/de filter(s) is/zijn vol	Reinig de twee filters.
Er komt vuil door het filter heen	De filterzak is beschadigd.	Vervang de zak.
De handgreep / het handvat voor de steel sluit niet juist aan op het geheel.	De sluitingen aan de zijkant zijn kapot.	Vervang sluitingen aan de zijkant.
Het reinigungsapparaat laadt niet op.	De accu is defect.	Neem contact op met uw distributeur om de accu te vervangen. Waarschuwing: Wanneer de accu moet worden vervangen, neem contact op met uw lokale distributeur om een originele lithium-accu te kopen zodat u het apparaat niet beschadigt.
	De oplader werkt niet	Neem contact op met uw distributeur om de oplader te vervangen. Waarschuwing: Het gebruik van een verkeerde oplader kan de accu of het reinigungsapparaat beschadigen en de garantie vervalt.

Electrical Vacuum Cleaner



Battery: 11.1 V DC, 5000 mAh
Charging voltage : 12.6V DC, 1000mAh
Motor Voltage : 12 V DC

- 1. Cabeça pivotante
- 2. Cobertura dianteira transparente
- 3. Corpo do limpador
- 4. Botão de ligação e desligação
- 5. Tampão e conector para o carregador
- 6. Conector punho / cabo
- 7. Punho
- 8. Standard filter bag
- 8.1 Small micro filter bag
- 8.2 Bigger micro bag
(optional, no tinto the shipment)
- 9. Basket
- 10. Carregador

INSTRUÇÕES E ADVERTÊNCIAS SOBRE SEGURANÇA

Por favor, leia e siga escrupulosamente todas as instruções deste manual e do equipamento, para evitar danos pessoais e acidentes fatais.

ADVERTÊNCIA!

- Este limpador de piscinas pode ser utilizado por crianças maiores de 12 anos de idade e por pessoas portadoras de alguma incapacidade física, sensorial ou mental, ou sem experiência e conhecimentos, desde que lhes tenha sido proporcionada a necessária formação e tenham sido instruídas sobre a utilização segura do mesmo, e compreendam os riscos envolvidos. Não deixe que as crianças brinquem com este aparelho. A limpeza e manutenção do aparelho não devem ser realizadas por crianças sem supervisão.
- Este aparelho destina-se a ser utilizado exclusivamente com a unidade de alimentação de corrente fornecida com o mesmo.
- Este aspirador não foi concebido para a sua utilização por parte de pessoas com deficiência física, sensorial ou psíquica, nem por parte de pessoas inexperientes ou sem conhecimentos a esse respeito, exceto se uma persona responsável pela sua segurança lhes tenha transmitido as instruções necessárias para utilizar o dispositivo.
- Este aparelho não é um brinquedo. Deve vigiar as crianças para não brincarem com o aparelho nem com os seus acessórios. Não permita que as crianças utilizem este dispositivo. Guarde o aspirador e os seus acessórios fora do alcance das crianças.

- Certifique-se de que o aspirador está completamente mergulhado na água antes de colocá-lo em funcionamento. Não utilize o dispositivo fora da água. Isto poderia danificar o sistema/motor e anularia a garantia.
- Profundidade máxima de utilização na água: 3 metros.
- Temperatura de utilização do dispositivo: entre 4° C e 36° C
- Nunca utilize o aparelho se detetou qualquer dano.
- É preciso substituir as peças ou os entalhes logo que possível no caso de estarem danificados. Utilize exclusivamente peças certificadas pelo fabricante ou pelo distribuidor.
- Liberte o limpador do carregador e certifique-se de que o dispositivo se encontra desligado antes de utilizá-lo.
- Não utilize o limpador caso haja pessoas ou animais de estimação na água.
- Grave risco de aspiração. Este limpador gera uma aspiração. Evite que o cabelo, o corpo ou as partes soltas das suas peças de roupa entrem em contacto com o orifício de aspiração do dispositivo em funcionamento.
- Nunca introduza partes do corpo, peças de roupa ou outros objetos nas aberturas ou nas peças móveis do aspirador.
- Nunca utilize este aspirador para apanhar substâncias tóxicas, inflamáveis ou combustíveis líquidos, como gasolina, nem o coloque em funcionamento perante vapores explosivos ou inflamáveis.

- Nunca tente desmontar ou substituir a hélice ou o motor por sua própria conta e risco, seja qual for o método.
- Este aspirador foi concebido para uma utilização exclusiva mergulhado em água e não para uma utilização como aspirador polivalente.
- Não tente utilizá-lo para limpar algo distinto da sua piscina / spa.
- Utilize os acessórios originais fornecidos juntamente com este produto.
- Não é recomendado utilizar este limpador ao mesmo tempo que outro aparelho.
- Evite aspirar objetos pontiagudos com este dispositivo. Poderiam danificar o limpador e o filtro.
- Tenha precaução quando limpar os degraus da escada da piscina.
- Recarregue o limpador no interior, num local limpo e seco com boa ventilação.
- Caso não vá utilizar o aspirador durante um período longo, deverá desligá-lo do carregador e limpar e secar o aspirador e os seus acessórios com um pano seco. Conserve-os num local bem ventilado, afastado da luz solar, do alcance das crianças, de focos de calor, de fontes inflamáveis e de produtos químicos. Nunca deixe o dispositivo ligado quando o guardar por um período longo. Recarregue o aparelho a cada três meses.
- Se não utilizar a parte transparente do corpo, deve tirá-la do aspirador elétrico.

- Não é possível que as advertências e as precauções aqui incluídas contenham todas as situações de risco ou de lesões graves. Os proprietários da piscina e do spa devem atuar com a máxima prudência e com sensatez quando utilizarem o aspirador.

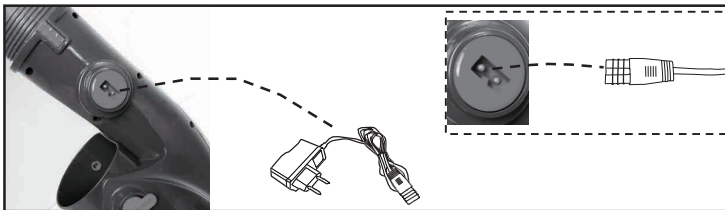
Carregador

Utilização exclusiva em interiores. O carregador não deve ser utilizado ao ar livre nem pode ser exposto à chuva, à humidade, a nenhum líquido nem ao calor.

- Mantenha o carregador fora do alcance das crianças.
- Nunca utilize o carregador se detetou qualquer dano.
- Nunca manipule o carregador com as mãos molhadas.
- Nunca manipule o aspirador nem o carregador em funcionamento com as mãos molhadas ou sem calçado.
- Desligue o carregador da corrente elétrica quando não se encontrar em funcionamento.
- No caso de o cabo de alimentação estar danificado, a substituição deve ser realizada pelo fabricante, pelo seu agente de manutenção ou pela outra pessoa qualificada para evitar todos os riscos.
- Certifique-se de que tanto o limpador como o carregador se encontram completamente secos antes de recarregar o aparelho.

INSTRUÇÕES DE UTILIZAÇÃO

1. Utilização do carregador da bateria

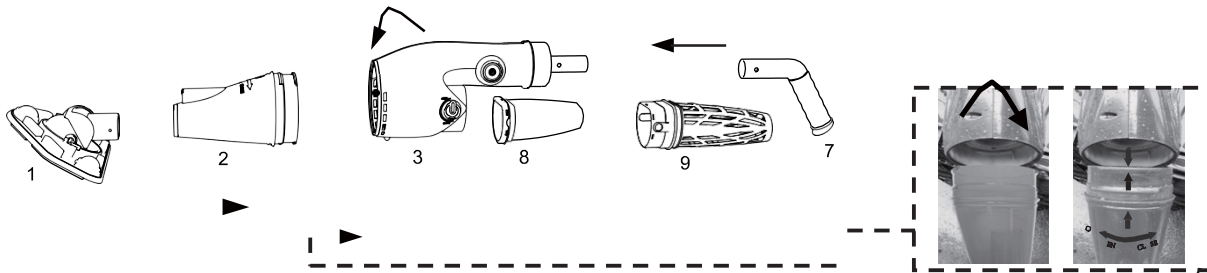


Nota: Este limpador de piscinas só pode funcionar debaixo de água. Se o tentar ligar fora de água, parará de funcionar.

NOTA: Carregue o limpador de piscinas durante 5-6 horas antes de o utilizar pela primeira vez. Quando totalmente carregado, o limpador de piscinas funcionará durante um período máximo de 90 minutos.

1. Conectar uma das extremidades do carregador à tomada. Acender-se-á o indicador luminoso verde.
2. Conectar a outra extremidade do carregador ao VCB50. Acender-se-á o indicador luminoso vermelho, para indicar que o carregador se encontra a funcionar.
3. Decorridas 5-6 horas de carga, o indicador luminoso passará a verde, indicando que o P1116 se encontra completamente carregado.
4. Agora poderá começar a trabalhar!

2. Montagem do mango

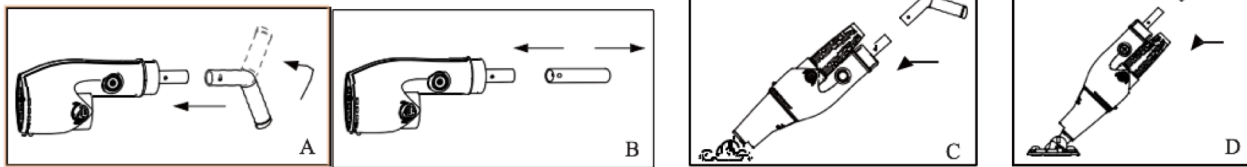


Siga a direção das flechas para montar os diferentes componentes, e as indicações de Open

(1). Mango portátil. Incorpora a conexão ao aparelho. O mango portátil utiliza-se para sujeitar o VCB50 e limpar as paredes, escadas, assentos e cantos da piscina Fig. [A].

2). Montagem do mango telescópico (não incluído) Também é possível acoplar o VCB50 a mangos telescópicos standard Fig. [B].

(3). Se necessário, o mango pode ser acoplado na direção indicada nas figuras C e D.

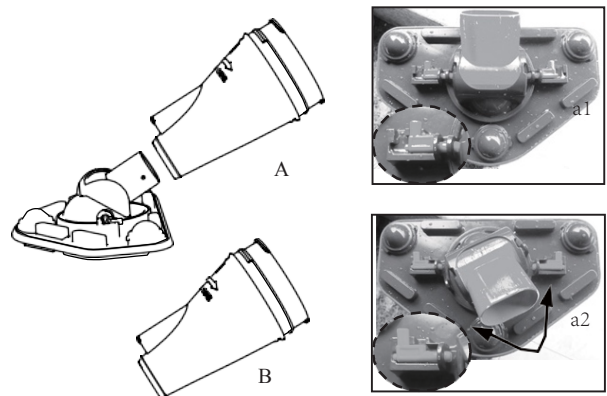


3. Montagem da cabeça pivotante

Insira diretamente a cabeça pivotante na base da cobertura transparente.

A fim de obter uma aspiração melhor, utilize o limpador como indicado:

- Insira a cabeça pivotante para aspirar pedrinhas e folhas, como mostrado na imagem A.
- Não é necessário utilizar a cabeça pivotante para aspirar pedras e outros resíduos grandes, como mostrado na imagem B.



Puxar as escovas da cabeça de sucção para as retirar.

Para piscinas de vinil e de fibra de vidro é recomendável manter as escovas acopladas à cabeça de sucção, para evitar danificar a piscina.

4. Montagem do saco do filtro

4.1 Como escolher o saco do filtro

(1). Standaard filterzak

Deze wordt gebruikt voor de dagelijkse zwembadreiniging, voor bladeren, haren, takjes, vruchten.

(2). Saco microfiltro pequeno

Para pequenos resíduos, como poeiras, lodo.

(3). Saco microfiltro grande (Opcional, vende-se separadamente)

Para piscinas muito sujas, ou com muitos resíduos, por exemplo, para o início da temporada, e para depois de chuvas ou tormentas.

4.2 Montagem do saco de filtro standard

(1). Introduzir o saco no cesto

(2). Montar o conjunto do saco e do cesto no corpo do aparelho

(3). Fixar o cesto do filtro com a ajuda dos dois botões C e D. Apertar com firmeza.



A



B



C



D

4.3 Montagem do saco de microfiltro pequeno ou grande microfilterzak grande

(1) Colocar o saco de filtro fora do cesto

(2) Montar o conjunto do saco e do cesto no corpo do aparelho

(3) Fixar o cesto do filtro com a ajuda dos dois botões C e D. Apertar com firmeza.



A



B



C



D

5. Limpeza do aspirador depois da utilização

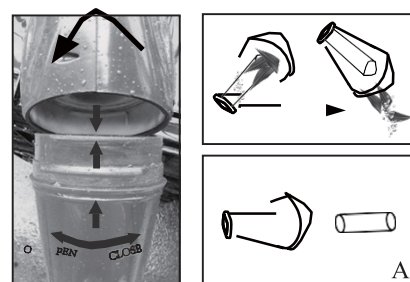
Retirar a cobertura dianteira transparente (segundo as instruções OPEN-CLOSE, rodar 90° para a posição OPEN), retirar os resíduos e lavá-lo.

Retirar o filtro e o saco do filtro, retirar as impurezas e limpar o saco filtrante.

Verificar se há impurezas na hélice e limpá-las em caso afirmativo.

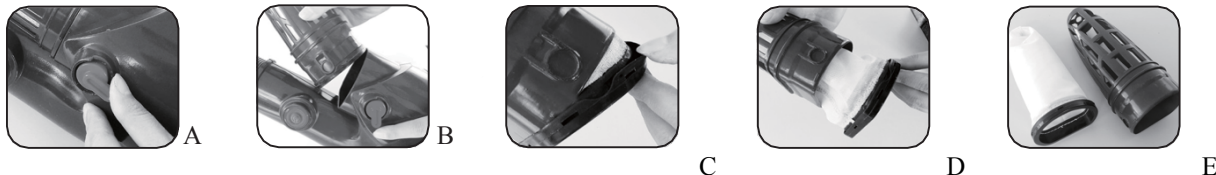
Etapas de limpeza do saco do filtro posterior.

- Retirar o saco e o reservatório filtrantes da parte traseira do limpador.
- Libertar o saco do reservatório.
- Limpar o saco e o reservatório.



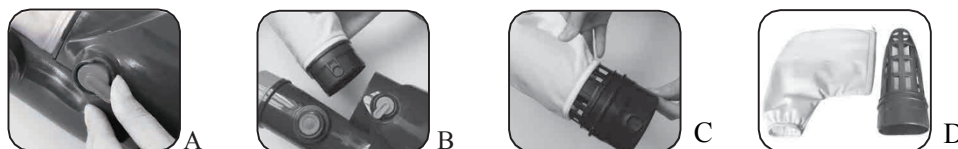
(1) De stappen voor reinigen van de standaard filterzak(A-B-C-D-E):

1. Girar os dois botões de fixação (de cada lado do cesto) na mesma direção 180°, retirar o cesto e o saco do filtro da traseira do aspirador de piscinas.
2. Soltar o saco do filtro do cesto.
3. Limpar o saco do filtro e o cesto.
4. Voltar a colocar o saco do filtro no cesto, respeitando as ranhuras de ambos os lados.



(2) Limpeza do saco de microfiltro pequeno e grande (A-B-C-D):

1. Girar os dois botões de fixação (de cada lado do cesto) na mesma direção 180°, retirar o cesto e o saco do filtro da traseira do aspirador de piscinas.
2. Soltar o saco do filtro do cesto.
3. Limpar o saco do filtro e o cesto.
4. Voltar a colocar o saco do filtro no cesto.



5.3 Comprovar se existem resíduos acumulados no impulsor. Se for o caso, eliminar os resíduos, e limpar o impulsor.

6. Reciclagem da bateria

A bateria do limpador elétrico para piscinas é de NI-MH e deve ser reciclada de acordo com as normas existentes. Contacte as autoridades locais para mais informações.

ADVERTÊNCIA

- Nunca trate de desmontar uma bateria de NI-MH.
- Retire todos os objetos pessoais como anéis, pulseiras, colares e relógios de pulseira, quando desligar o cabo entre a bateria e o limpador.
- A bateria pode provocar um curto-circuito importante que poderia fundir um anel (ou qualquer outro elemento metálico) e causar queimaduras graves.
- Utilize um elemento de proteção ocular completa juntamente com luvas e peças de roupa de proteção quando retirar a bateria.
- Tenha cuidado de não tocar na junção de fios nem permitir que entre em contacto com elementos metálicos, suscetíveis de causar faíscas e/ou curto-circuitos com a bateria.
- Nunca pegue fogo nem permita que haja faíscas ou chamas perto do aspirador. A bateria pode causar gás que, em último termo, poderia inflamar-se.
- Não exponha o aspirador ao fogo nem ao calor intenso, já que poderia causar uma explosão.
- No caso de a bateria apresentar fugas, evite o contacto com o ácido derramado e introduza a bateria danificada num saco de plástico.
- Se o ácido entrar em contacto com a pele ou com a roupa, deverá lavá-las de forma imediata e com abundantes água e sabão.
- Se o ácido entrar em contacto com os olhos, enxague-os imediatamente com água fresca durante pelo menos 15 minutos. Consulte imediatamente um médico.

6.2 Passos para substituir a bateria

(1) Prima o botão “a” e desloque-o no sentido da seta, até que se liberte da ranhura do conector (como mostrado na imagem A).

(2) Segure o corpo enquanto roda o conector e liberte a armação da bateria do corpo (como mostrado por “b1” na imagem B).

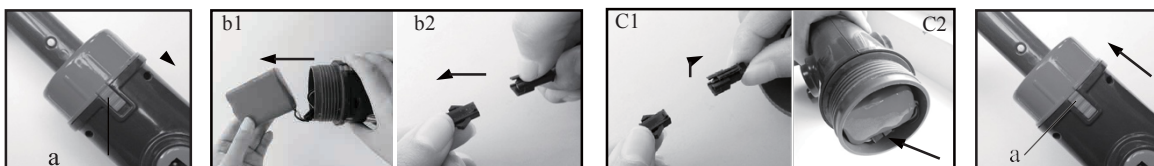
Nota: Não puxe o grupo de bateria com força e desbloqueie a bateria e o fecho, fig. [b2]

(3) Remova a bateria usada e substitua a nova bateria de lítio. Primeiro, conecte a bateria e o fecho no suporte da bateria (ver “c1” na imagem “C”), e depois coloque a bateria.

Nota: A bateria deve estar no lugar certo, a cerca de 10 mm da porta de conexão, e o fio no local desocupado do lado (ver “c2” na imagem “C”)

(4) Rode o conector no corpo no sentido dos ponteiros do relógio, até que o botão “a” ajuste na ranhura do conector (como mostrado na imagem D).

(5) Já pode utilizar o limpador de acordo com as instruções.



7. Operação

ADVERTÊNCIA!

Não utilize o limpador de piscinas se este tiver algum elemento danificado.

Existe o risco de poluir o líquido devido a uma eventual fuga de lubrificante.

Não opere o limpador de piscinas com pessoas ou animais dentro da água da piscina.

Assegure-se de que o limpador de piscinas se encontra completamente submerso na água antes de o ligar. NÃO ponha o limpador a funcionar fora de água. Ao fazê-lo danificaria o veio e as juntas do motor, invalidando a garantia.

NÃO utilize o limpador de piscinas sem uma manga e invólucro de filtro. Se o fizer, invalidará automaticamente a garantia.

Risco de aprisionamento por sucção. Este limpador de piscinas gera sucção. Evite que o seu cabelo, partes do corpo ou da sua roupa entrem em contacto com o orifício de sucção do aparelho durante o seu funcionamento.

Nunca introduza partes do corpo, roupa ou outros objetos nas aberturas e partes móveis do limpador de piscinas.

NÃO utilize o limpador de piscinas para remover quaisquer substâncias tóxicas, inflamáveis ou combustíveis líquidos, como gasolina, nem utilize o limpador na presença de fumos explosivos ou inflamáveis.

ATENÇÃO!

Utilize apenas os acessórios originais fornecidos junto com o aparelho.

NÃO utilize o limpador de piscinas imediatamente depois de encher a piscina. É recomendável deixar circular a água da piscina durante pelo menos 24-48 horas.

NÃO deixe o limpador mergulhado na água quando este não estiver em uso.

O elemento de sucção transparente deve estar bem colocado antes de conectar o limpador (o elemento de sucção transparente tem um sistema de proteção de botão em caso de acidente com o impulsor).

8. Problemas e soluções

Problema	Possível causa	Soluções
O limpador não aspira os resíduos.	Bateria baixa	Recarregar a bateria. Tempo normal de uso da bateria após carregada completamente: 45-60 min.
	O rotor está bloqueado	Retire a tensão do aparelho e verifique visualmente o espaço no aspirador para ver se o rotor está bloqueado. Pode fazer rodar com a mão os dois círculos do rotor e fazê-lo mais flexível. ADVERTÊNCIA: comprove que o limpador está corretamente desligado quando efetuar a manutenção.
	O rotor está partido	Contacte o seu distribuidor para substituí-lo.
	O(s) filtro(s) está(ão) cheio(s)	Limpe os dois filtros.
Os resíduos saem do filtro	O saco do filtro está danificado.	Substitua o saco.
O punho / o cabo para o mastro não fecha corretamente no conjunto.	Os fechos laterais estão partidos.	Substitua os fechos laterais.
O limpador não recarrega.	A bateria está defeituosa.	Contacte o seu distribuidor para substituir a bateria. Advertência: Quando quiser substituir a bateria, deverá contactar o seu distribuidor local para comprar uma bateria de lítio original para não danificar o aparelho.
	O carregador não funciona	Contacte o seu distribuidor para substituir o carregador. Advertência: A utilização de um carregador errado pode danificar a bateria ou o limpador e anular a garantia.

EN - GUARANTEE CERTIFICATE

1 GENERAL TERMS

- 1.1 In accordance with these provisions, the seller guarantees that the product corresponding to this guarantee ("the Product") is in perfect condition at the time of delivery.
- 1.2 The Guarantee Term for the Product is two (2) years from the time it is delivered to the purchaser.
- 1.3 In the event of any defect in the Product that is notified by the purchaser to the seller during the Guarantee Term, the seller will be obliged to repair or replace the Product, at his own cost and wherever he deems suitable, unless this is impossible or unreasonable.
- 1.4 If it is not possible to repair or replace the Product, the purchaser may ask for a proportional reduction in the price or, if the defect is sufficiently significant, the termination of the sales contract.
- 1.5 The replaced or repaired parts under this guarantee, will not extend the guarantee period of the original Product, but will have a separate guarantee.
- 1.6 In order for this guarantee to come into effect, the purchaser must provide proof of the date of purchase and delivery of the Product.
- 1.7 If, after six months from the delivery of the Product to the purchaser, he notifies a defect in the Product, the purchaser must provide proof of the origin and existence of the alleged defect.
- 1.8 This Guarantee Certificate is issued without prejudice to the rights corresponding to consumers under national regulations.

2 INDIVIDUAL TERMS

- 2.1 This guarantee covers the products referred to in this manual.
- 2.2 This Guarantee Certificate will only be applicable in European Union countries.
- 2.3 For this guarantee to be effective, the purchaser must strictly follow the Manufacturer's instructions included in the documentation provided with the Product, in cases where it is applicable according to the range and model of the Product.
- 2.4 When a time schedule is specified for the replacement, maintenance or cleaning of certain parts or components of the Product, the guarantee will only be valid if this time schedule has been followed.

3 LIMITATIONS

- 3.1 This guarantee will only be applicable to sales made to consumers, understanding by "consumer", a person who purchases the Product for purposes not related to his professional activities.
- 3.2 The normal wear resulting from using the product is not guaranteed. With respect to expendable or consumable parts, components and/or materials, such as batteries, light bulbs, etc. the stipulations in the documentation provided with the Product, will apply.
- 3.3 The guarantee does not cover those cases when the Product; (I) has been handled incorrectly; (II) has been repaired, serviced or handled by non-authorized people or (III) has been repaired or serviced not using original parts. In cases where the defect of the Product is a result of incorrect installation or start-up, this guarantee will only apply when said installation or start-up is included in the sales contract of the Product and has been conducted by the seller or under his responsibility.

ES - CERTIFICADO DE GARANTÍA

1 ASPECTOS GENERALES

- 1.1 De acuerdo con estas disposiciones, el vendedor garantiza que el producto correspondiente a esta garantía ("el Producto") no presenta ninguna falta de conformidad en el momento de su entrega.
- 1.2 El Período de Garantía para el Producto es de dos (2) años y se calculará desde el momento de su entrega al comprador.
- 1.3 Si se produjera una falta de conformidad del Producto y el comprador lo notificase al vendedor durante el Periodo de Garantía, el vendedor deberá reparar o sustituir el Producto a su propio coste en el lugar donde considere oportuno, salvo que ello sea imposible o desproporcionado.
- 1.4 Cuando no se pueda reparar o sustituir el Producto, el comprador podrá solicitar una reducción proporcional del precio o, si la falta de conformidad es suficientemente importante, la resolución del contrato de venta.
- 1.5 Las partes sustituidas o reparadas en virtud de esta garantía no ampliarán el plazo de la garantía del Producto original, si bien dispondrán de su propia garantía.
- 1.6 Para la efectividad de la presente garantía, el comprador deberá acreditar la fecha de adquisición y entrega del Producto.
- 1.7 Cuando hayan transcurrido más de seis meses desde la entrega del Producto al comprador y éste alegue falta de conformidad de aquél, el comprador deberá acreditar el origen y la existencia del defecto alegado.
- 1.8 El presente Certificado de Garantía no limita o prejuzga los derechos que correspondan a los consumidores en virtud de normas nacionales de carácter imperativo.

2 CONDICIONES PARTICULARES

- 2.1 La presente garantía cubre los productos a que hace referencia este manual.
- 2.2 El presente Certificado de Garantía será de aplicación únicamente en los países de la Unión Europea.
- 2.3 Para la eficacia de esta garantía, el comprador deberá seguir estrictamente las indicaciones del Fabricante incluidas en la documentación que acompaña al Producto, cuando ésta resulte aplicable según la gama y modelo del Producto.
- 2.4 Cuando se especifique un calendario para la sustitución, mantenimiento o limpieza de ciertas piezas o componentes del Producto, la garantía sólo será válida cuando se haya seguido dicho calendario correctamente.

3 LIMITACIONES

- 3.1 La presente garantía únicamente será de aplicación en aquellas ventas realizadas a consumidores, entendiéndose por "consumidor", aquella persona que adquiere el Producto con fines que no entran en el ámbito de su actividad profesional.

3.2 No se otorga ninguna garantía respecto del normal desgaste por uso del producto. En relación con las piezas, componentes y/o materiales fungibles o consumibles como pilas, bombillas etc., se estará a lo dispuesto en la documentación que acompañe al Producto, en su caso.

3.3 La garantía no cubre aquellos casos en que el Producto: (I) haya sido objeto de un trato incorrecto; (II) haya sido reparado, mantenido o manipulado por persona no autorizada o (III) haya sido reparado o mantenido con piezas no originales.

Cuando la falta de conformidad del Producto sea consecuencia de una incorrecta instalación o puesta en marcha, la presente garantía sólo responderá cuando dicha instalación o puesta en marcha esté incluida en el contrato de compra-venta del Producto y haya sido realizada por el vendedor o bajo su responsabilidad.

FR - CERTIFICAT DE GARANTIE

1 ASPECTS GÉNÉRAUX

1.1 Conformément à ces dispositions, le vendeur garantit que le produit correspondant à cette garantie ("le Produit") ne présente aucun défaut de conformité à la date de sa livraison.

1.2 La Période de Garantie pour le Produit est de deux (2) ans et elle sera calculée à partir du moment de sa remise à l'acheteur.

1.3 S'il se produisait un défaut de conformité du Produit et si l'acheteur le notifiât au vendeur pendant la Période de Garantie, le vendeur devrait réparer ou remplacer le Produit à ses propres frais à l'endroit qu'il jugerait opportun, à moins que cela soit impossible ou disproportionné.

1.4 Lorsque le Produit ne pourra être ni réparé ni remplacé, l'acheteur pourra demander une réduction proportionnelle du prix ou, si le défaut de conformité est suffisamment important, la résolution du contrat de vente.

1.5 Les parties remplacées ou réparées en vertu de cette garantie n'élargiront pas le délai de la garantie du Produit original, celles-ci étant cependant couvertes par leur propre garantie.

1.6 Pour l'effectivité de la présente garantie, l'acheteur devra justifier la date d'acquisition et de remise du Produit.

1.7 Quand plus de six mois se seront écoulés depuis la remise du Produit à l'acheteur et que ce dernier alléguera un défaut de conformité de ce Produit, l'acheteur devra justifier l'origine et l'existence du défaut allégué.

1.8 Le présent Certificat de Garantie ne limite pas, ni préjuge les droits correspondant aux consommateurs en vertu des normes nationales de nature impérative.

2 CONDITIONS PARTICULIÈRES

2.1 La présente garantie couvre les produits auxquels ce manuel fait référence.

2.2 Le présent Certificat de Garantie ne sera applicable que dans les pays de l'Union européenne.

2.3 En vue de l'efficacité de cette garantie, l'acheteur devra suivre strictement les indications du Fabricant comprises dans la documentation qui est jointe au Produit, quand celle-ci sera applicable selon la gamme et le modèle du Produit.

2.4 Quand un calendrier sera spécifié pour le remplacement, la maintenance ou le nettoyage de certaines pièces ou de certains composants du Produit, la garantie sera valable uniquement lorsque ledit calendrier aura été suivi correctement.

3 LIMITATIONS

3.1 La présente garantie ne sera applicable que dans les ventes réalisées aux consommateurs, considérant comme "consommateur", toute personne qui achète le Produit à des fins qui n'entrent pas dans le cadre de son activité professionnelle.

3.2 Aucune garantie n'est concédée quant à l'usure normale due à l'utilisation du produit. En ce qui concerne les pièces, composants et/ou matériels fungibles ou consommables comme les piles, les ampoules, etc., il faudra respecter, le cas échéant, ce qui est stipulé dans la documentation qui est jointe au Produit.

3.3 La garantie ne couvre pas les cas où le Produit : (I) a fait l'objet d'un traitement incorrect ; (II) a été réparé, entretenu ou manipulé par une personne non autorisée ou (III) a été réparé ou entretenu avec des pièces n'étant pas d'origine. Quand le défaut de conformité du Produit sera la conséquence d'une installation ou d'une mise en marche incorrectes, la présente garantie répondra uniquement lorsque ladite installation ou ladite mise en marche sera incluse dans le contrat d'achat et de vente du Produit et aura été réalisée par le vendeur ou sous sa responsabilité.

DE - GARANTIEZERTIFIKAT

1 ALLGEMEINE GESICHTSPUNKTE

1.1 In Übereinstimmung mit diesen Verfügungen garantiert der Verkäufer, dass das Produkt dieser Garantie ("das Produkt") entspricht und dass es im Moment der Übergabe in allen Punkten mit den Anforderungen übereinstimmt.

1.2 Der Garantiezeitraum für das Produkt beträgt zwei (2) Jahre und wird ab dem Augenblick der Lieferung an den Käufer gerechnet.

1.3 Falls ein Mangel am Produkt auftritt und der Käufer den Verkäufer innerhalb des Garantiezeitraums darüber unterrichtet, muss der Verkäufer das Produkt auf eigene Kosten dort reparieren oder ersetzen, wo es für ihn am günstigsten ist, es sei denn, dies ist unmöglich oder unverhältnismäßig.

1.4 Wenn das Produkt weder repariert noch ersetzt werden kann, kann der Käufer einen angemessenen Preisnachlass beantragen, oder, falls es sich um einen größeren Mangel handelt, die Auflösung des Kaufvertrages.

1.5 Die Teile, die aufgrund dieser Garantie ersetzt oder repariert werden, verlängern den Garantiezeitraum für das Originalprodukt nicht. Jedoch existiert für diese Teile eine eigene Garantie.

1.6 Um die vorliegende Garantie wirksam werden zu lassen, muss der Käufer das Kaufdatum und das Lieferdatum des Produktes belegen.

1.7 Nach Ablauf von sechs Monaten ab Lieferung des Produktes an den Käufer muss, im Falle eines Mangels, der Käufer den Ursprung und das Vorhandensein des angegebenen Mangels belegen.

1.8 Das vorliegende Garantiezertifikat schränkt die Rechte, die der Verbraucher aufgrund der herrschenden, nationalen Gesetzgebung hat, nicht ein.

2 SONDERBEDINGUNGEN

2.1 Die vorliegende Garantie gilt für die Produkte, auf die sich dieses Handbuch bezieht.

2.2 Das vorliegende Garantiezertifikat ist nur in den Ländern der Europäischen Gemeinschaft anwendbar.

2.3 Diese Garantie gilt nur, wenn der Käufer alle Anweisungen des Herstellers, die in der produktbegleitenden Dokumentation enthalten und für die jeweilige Produktlinie und Modell anwendbar ist, streng einhält.

2.4 Wenn ein Zeitplan für den Austausch von Teilen, die Instandhaltung und Reinigung bestimmter Teile oder Produktkomponenten aufgestellt wurde, gilt die Garantie nur dann, wenn dieser Zeitplan korrekt eingehalten wurde.

3 EINSCHRÄNKUNGEN

3.1 Die vorliegende Garantie ist nur auf Verkäufe an Verbraucher anwendbar. "Verbraucher" sind alle Personen, die dieses Produkt zu privaten Zwecken erwerben.

3.2 Es wird keine Garantie für die normale Abnutzung durch den Gebrauch des Produktes gewährt. Informationen über Teile, Komponenten und/oder verschleißbare Materialien oder Verbrauchsgüter oder Batterien, Glühlampen etc. finden Sie in der Dokumentation, die das jeweilige Produkt begleitet.

3.3 In folgenden Fällen gilt die Garantie nicht: (I) Das Produkt wurde nicht korrekt benutzt; (II) das Produkt wurde von nicht autorisierten Personen repariert, instandgehalten oder bedient oder (III) das Produkt wurde mit nicht originalen Ersatzteilen repariert oder instandgehalten. Wenn der Mangel auf eine falsche Installation oder Inbetriebnahme zurückzuführen ist, gilt die vorliegende Garantie nur, wenn diese Installation oder Inbetriebnahme in den Kaufvertrag des Produktes eingeschlossen war, und von dem Verkäufer oder auf dessen Verantwortung durchgeführt wurde.

IT - CERTIFICATO DI GARANZIA

1 ASPETTI GENERALI

1.1 Ai sensi delle seguenti disposizioni, il venditore garantisce che il prodotto corrispondente a questa garanzia ("il Prodotto") non presenta alcun difetto di conformità al momento della sua consegna.

1.2 Il Periodo di Garanzia per il Prodotto è di due (2) anni a decorrere dal momento della consegna dello stesso all'acquirente.

1.3 Nel caso in cui si venisse a produrre un difetto di conformità del Prodotto e l'acquirente lo notificasse al venditore entro il Periodo di Garanzia, il venditore dovrà riparare o sostituire il Prodotto a sue spese nel luogo che consideri opportuno, salvo che ciò risulti impossibile o sproporzionato.

1.4 Qualora non fosse possibile riparare o sostituire il Prodotto, l'acquirente potrà richiedere una riduzione proporzionale del prezzo o, nel caso in cui il difetto di conformità fosse sufficientemente importante, lo scioglimento del contratto di vendita.

1.5 Le parti sostituite o riparate in virtù della presente garanzia non rappresenteranno un prolungamento della scadenza della garanzia del Prodotto originale, quantunque disporranno di una loro propria garanzia.

1.6 Affinché la presente possa essere valida, l'acquirente dovrà attestare la data di acquisto e consegna di del Prodotto.

1.7 Una volta trascorsi più di sei mesi dalla consegna del Prodotto all'acquirente, qualora quest'ultimo dichiari un difetto di conformità del medesimo, l'acquirente dovrà attestare l'origine e l'esistenza del difetto dichiarato.

1.8 Il presente Certificato di Garanzia non limita o preclude i diritti che corrispondano ai consumatori in virtù delle norme nazionali di carattere imperativo.

2 CONDIZIONI PARTICOLARI

2.1 La presente garanzia copre i prodotti ai quali si riferisce questo manuale.

2.2 Il presente Certificato di Garanzia avrà vigore unicamente nell'ambito dei paesi dell'Unione Europea.

2.3 Per la validità di questa garanzia, l'acquirente dovrà rispettare in maniera rigorosa le indicazioni del Fabbricante indicate nella documentazione che viene allegata al Prodotto, quando questa risulti applicabile secondo la gamma e il modello del Prodotto.

2.4 Nel caso in cui venga specificato un calendario per la sostituzione, la manutenzione o la pulizia di determinati pezzi o componenti del Prodotto, la garanzia sarà valida solo quando qualora detto calendario sia stato rispettato in maniera corretta.

3 LIMITAZIONI

3.1 La presente garanzia sarà valida unicamente per le vendite realizzate a consumatori, laddove per "consumatori" s'intende quella persona che acquista il Prodotto con scopi che non rientrano nell'ambito della sua attività professionale.

3.2 Non viene concessa alcuna garanzia nei riguardi del normale consumo per uso del prodotto. In merito ai pezzi, ai componenti e/o ai materiali fusibili o consumabili come pile, lampadine, ecc., ove sussista si applicherà quanto disposto nella documentazione che è allegata al Prodotto.

3.3 La garanzia non copre i casi in cui il Prodotto: (I) sia stato oggetto di un uso non corretto; (II) sia stato riparato, manipolato o la manutenzione sia stata effettuata da una persona non autorizzata o (III) sia stato riparato o la manutenzione sia stata effettuata con pezzi non originali. Qualora il difetto di conformità del Prodotto sia conseguenza di una installazione o messa in marcia non corretta, la presente garanzia risponderà solo nel caso in cui la suddetta installazione o messa in marcia sia compresa nel contratto di compravendita del Prodotto e sia stata realizzata dal venditore o sotto la sua responsabilità.

NL - GARANTIECERTIFIKAAT

1 ALGEMENE ASPEKTEN

1.1 In overeenkomst met de voorliggende bepalingen wordt door de verkoper gegarandeerd dat het produkt verkocht onder deze garantie ("het Produkt") geen enkel defect vertoont op het moment van levering.

1.2 De Garantieperiode voor het Produkt bedraagt twee (2) jaar en is geldig vanaf het moment dat het Produkt aan de koper geleverd wordt.

1.3 Indien er zich een defect aan het Produkt zou voordoen en de koper dit zou mededelen aan de verkoper gedurende de geldige Garantieperiode, dan zal de verkoper het Produkt repareren of laten repareren op zijn eigen kosten alwaar de verkoper dit geschikt zou achten, behalve in het geval dat dit onmogelijk of buitensporig zou zijn.

1.4 Indien het Produkt niet gerepareerd of vervangen kan worden, dan kan de koper na verhouding prijsreductie aanvragen, of, indien het defect belangrijk genoeg is, de ontbinding van het verkoopcontract aanvragen.

1.5 Die delen van het Produkt die onder deze Garantie vervangen of gerepareerd zijn, kunnen de duur van de Garantieperiode voor het oorspronkelijke Produkt niet verlengen, maar zullen beschikken over een eigen garantie.

1.6 Voor de toepassing van deze garantie moet de koper de aankoopdatum en de levering van het Produkt kunnen aantonen.

1.7 Indien er meer dan zes maanden verlopen zijn sinds de levering van het Produkt aan de koper, en deze plotseling aangeeft dat het Produkt niet aan de eisen voldoet, dan zal de koper de oorsprong en het bestaan van de volgens hem bestaande defekten moeten kunnen aantonen.

1.8 Dit Garantiecertificaat beperkt of veroordeelt niet bij voorbaat de rechten die de gebruikers hebben en die gebaseerd zijn op nationale normen.

2 BIJZONDERE VOORWAARDEN

2.1 Deze garantie dekt de produkten waarnaar deze handleiding verwijst.

2.2 Het huidige Garantiecertificaat is slechts van toepassing in landen van de Europese Unie.

2.3 Voor de toepassing van deze garantie en in geval deze garantie van toepassing is al naar gelang de serie en het model van het Produkt, moet de koper de aanwijzingen van de Fabrikant in de documenten die bij het Produkt bijgesloten zijn, strikt opvolgen.

2.4 Indien er een tijdsperiode vastgesteld wordt voor de vervanging, het onderhoud of het reinigen van verschillende delen of onderdelen van het Produkt, dan is de garantie alleen geldig in geval deze tijdsperiode strikt aangehouden is.

3 BEPERKINGEN

3.1 De huidige garantie is uitsluitend geldig bij verkoop aan gebruikers, waarbij onder "gebruiker" verstaan wordt een persoon die het Produkt aanschaft met een doel dat niet binnen het gebied van zijn professionele activiteiten valt.

3.2 Er bestaat geen garantie in verband met normale slijtage bij gebruik van het Produkt. Wat betreft de delen, componenten en/of vervangbare of verbruiksmaterialen zoals batterijen, gloeilampen, enz. zal men zich moeten richten naar hetgeen in de documenten staat die het Produkt vergezellen.

3.3 De garantie dekt niet de gevallen waarbij het Produkt (i) onderhevig is geweest aan ongepast gebruik, (ii) gerepareerd, onderhouden of gemanipuleerd is door een persoon die daarvoor geen toestemming heeft, of (iii) gerepareerd of onderhouden is met niet oorspronkelijke onderdelen. Indien het defekt van het Produkt het gevolg is van een incorrecte installering of ingebruikneming, dan is deze garantie slechts van toepassing indien de installering of ingebruikneming in kwestie in het contract van koop en verkoop van het produkt opgenomen is en door de verkoper of onder diens verantwoording uitgevoerd is.

PT - CERTIFICADO DE GARANTIA

1 CONDIÇÕES GERAIS

1.1 De acordo com estas disposições, o vendedor garante que, no momento da entrega, o produto correspondente a esta garantia ("o Produto") não apresenta nenhum tipo de falta de conformidade.

1.2 O Período de Garantia para o Produto é de dois (2) anos, contados a partir da data de entrega ao comprador.

1.3 Se, durante o período de garantia, o comprador notificar ao vendedor alguma falta de conformidade do Produto, o vendedor deverá reparar ou substituir o Produto por sua conta no lugar onde considerar conveniente, salvo que isso seja impossível ou desmesurado.

1.4 Quando não for possível reparar ou substituir o Produto, o comprador poderá solicitar uma redução proporcional do preço ou, se a falta de conformidade for o suficientemente grave, a rescisão do contrato de venda.

1.5 As partes substituídas ou reparadas em virtude desta garantia não ampliarão o período de garantia do Produto original, mas disporão da sua própria garantia.

1.6 Para que a presente garantia tenha efeito, o comprador deverá apresentar o comprovante da data de compra e de entrega do Produto.

1.7 Se o comprador alegar uma falta de conformidade do Produto, passados mais de seis meses da data de entrega do mesmo, deverá demonstrar a origem e a existência do defeito alegado.

1.8 O presente Certificado de Garantia não limita nem afecta os direitos dos consumidores derivados das normas nacionais de carácter imperativo.

2 CONDIÇÕES PARTICULARES

2.1 A presente garantia cobre os produtos descritos neste manual.

2.2 O presente Certificado de Garantia só será válido nos países da União Europeia.

2.3 Para a eficácia desta garantia, o comprador deverá seguir rigorosamente as indicações do Fabricante contidas na documentação fornecida com o Produto, quando a mesma for aplicável em função da gama e do modelo do Produto.

2.4 No caso de se estabelecer um calendário para a substituição, manutenção ou limpeza de determinadas peças ou componentes do Produto, a garantia só será válida se o citado calendário tiver sido cumprido rigorosamente.

3 LIMITAÇÕES

3.1 A presente garantia só será válida para as vendas realizadas a consumidores, entendendo-se por "consumidor" a pessoa que comprar o Produto com fins não abrangidos no âmbito da sua actividade profissional.

3.2 A garantia não cobre o desgaste normal derivado do uso do produto. Em relação às peças, componentes e/ou materiais fungíveis ou consumíveis como pilhas, lâmpadas, etc., terá efeito o disposto na documentação fornecida com o Produto, em cada caso.

3.3 Esta garantia não abrange as seguintes situações: (I) Se o Produto tiver sido objecto de um uso incorrecto; (II) tiver sido reparado, sofrido manutenção ou manipulado por pessoas não autorizadas ou (III) tiver sido reparado ou as suas peças substituídas por peças não originais. Quando a falta de conformidade do Produto for consequência de uma instalação ou colocação em funcionamento incorrecta, a presente garantia só será válida se a referida instalação ou colocação em funcionamento estiver incluída no contrato de compra-venda do Produto e tiver sido realizada pelo vendedor ou sob sua responsabilidade.



EN - CROSSED-OUT WASTE CONTAINER

1.1 In order to reduce the amount of waste of electric and electronic apparatus, to reduce the danger of components, to encourage the reuse of apparatus, to assess waste and to set up a suitable waste treatment system, with the aim of improving the efficiency of environmental protection, a set of rules has been established applicable to the manufacture of the product and other rules regarding the correct environmental treatment when these products become waste.

1.2 It is also intended to improve the environmental practices of all agents involved in electrical and electronic goods, including manufacturers, distributors, users and particularly those directly involved in the treatment of waste derived from these apparatus.

1.3 From 13th August 2005, there are two ways of disposing of this apparatus:

1.4 If you purchase a new equivalent apparatus or which has the same functions as the one you wish to dispose of, you can hand it over, free of charge, to the distributor when making your purchase, or

1.5 You can take it to local collection points.

1.6 We shall cover waste treatment costs.

1.7 The apparatus are labelled with a symbol of a "crossed-out waste container". This symbol means that the apparatus is subject to selected waste collection, different from general waste collection.

1.8 Our products are designed and manufactured with top-quality, environmental-friendly materials and components, which can be reused and recycled. In spite of this, several parts of this product are not biodegradable and therefore it should not be left in the environment. For the correct recycling of this product, please completely detach the electrical motor from the rest of the filtration equipment.

ES - CONTENEDOR DE BASURA CON RUEDAS TACHADO

1.1 Con objeto de reducir la cantidad de residuos de aparatos eléctricos y electrónicos, la peligrosidad de los componentes, fomentar la reutilización de los aparatos, la valorización de sus residuos y determinar una gestión adecuada tratando de mejorar la eficacia de la protección ambiental, se establecen una serie de normas aplicables a la fabricación del producto y otras relativas a la correcta gestión ambiental cuando se conviertan en residuo.

1.2 Así mismo, se pretende mejorar el comportamiento ambiental de todos los agentes que intervienen en el ciclo de vida de los aparatos eléctricos y electrónicos, como son los productores, los distribuidores, los usuarios y en particular, el de aquellos agentes directamente implicados en la gestión de los residuos derivados de estos aparatos.

1.3 A partir del 13 Agosto de 2005 cuando usted quiera desechar este aparato, tiene dos posibles sistemas de devolución:

1.4 Si adquiere uno nuevo que sea de tipo equivalente o realice las mismas funciones que el que desecha, podrá entregarlo, sin coste, en el acto de la compra al distribuidor.

1.5 Podrá llevarlo al sitio que destinen las diferentes entidades locales.

1.6 Nosotros nos haremos cargo de los costes de gestión.

1.7 Los aparatos van etiquetados con el símbolo de un "contenedor de basura con ruedas tachado", este símbolo es indicativo de la necesaria recogida selectiva y diferenciada del resto de las basuras urbanas.

1.8 Nuestros productos están diseñados y fabricados con materiales y componentes de alta calidad, respetuosos con el medio ambiente, que pueden ser reutilizables y reciclados. Aun así, las diferentes partes que componen este producto no son biodegradables, por lo que no se deben abandonar en el medio ambiente. Se debe de reciclar por separado, para ello separar el motor eléctrico del resto del equipo de filtración.

FR - POUCELLE À ORDURES SUR ROULETTES BARRÉE

1.1 Afin de réduire la quantité de déchets d'appareils électriques et électroniques, afin d'éviter le danger de leurs composants, d'encourager la réutilisation des appareils ainsi que la valorisation de leurs déchets, et de déterminer une gestion appropriée de ceux-ci, en essayant d'améliorer l'efficacité de la protection environnementale, ont été établies de nombreuses normes applicables à la fabrication du produit, et d'autres relatives à la gestion environnementale correcte lorsque ces appareils sont hors service.

1.2 De même, on prétend améliorer le comportement environnemental de toutes les personnes qui interviennent dans le cycle de vie des appareils électriques et électroniques, tels que les producteurs, les distributeurs, les utilisateurs et, en particulier, les intervenants directement impliqués dans la gestion des déchets dérivés de ces appareils.

1.3 À partir du 13 août 2005, quand vous souhaitez vous débarrasser de votre appareil usagé, vous avez deux façons de vous en défaire :

1.4 Si vous achetez un nouvel appareil qui est plus ou moins du même genre ou qui réalise les mêmes fonctions que votre appareil usagé, vous pourrez le remettre au distributeur, sans aucun frais à votre charge, au moment de l'achat.

1.5 Ou bien vous pourrez le déposer à l'endroit destiné à cette fin par les différents organismes locaux.

1.6 Les frais de gestion seront à notre charge.

1.7 Les appareils portent une étiquette sur laquelle figure le symbole d'une "poubelle à ordures sur roulettes barrée". Ce symbole indique la nécessité d'une collecte sélective et triée du reste des déchets urbains.

1.8 Nos produits sont conçus et fabriqués avec des matériaux et des composants de haute qualité, respectueux de l'environnement, qui sont réutilisables et recyclables. Malgré tout, les différentes parties qui composent cet article ne sont pas biodégradables ; c'est pourquoi, il ne faut pas les mettre au rebut en les jetant dans l'environnement.

DE - DURCHGESTRICHENEN ABFALLCONTAINERS MIT RÄDERN

1.1 Um die Menge an Abfällen, die aus elektrischen und elektronischen Geräten bestehen, zu reduzieren, die Gefahr einzudämmen, die Wiederverwertung der Apparate und die Bewertung dieser Rückstände zu fördern und ein geeignetes Management zu finden, um die Wirksamkeit des Umweltschutzes zu



erhöhen, werden eine Reihe von Normen festgelegt, die auf die Herstellung des Produktes angewandt werden, und Normen, die sich auf die korrekte und umweltbewusste Entsorgung beziehen, wenn diese Produkte zu Abfall werden.

1.2 Ebenso soll das Umweltbewusstsein aller Beteiligten verbessert werden, die mit den elektrischen und elektronischen Apparaten während deren gesamtem Nutzungszyklus in Kontakt kommen, das sind zum Beispiel die Hersteller, die Vertrieber, die Benutzer und insbesondere diejenigen, die direkt mit der Entsorgung der Rückstände zu tun haben, die durch diese Apparate entstehen.

1.3 Ab dem 13. August 2005 gibt es zwei Möglichkeiten für die Rückgabe, wenn Sie diesen Apparat entsorgen möchten:

1.4 Falls Sie einen neuen, ähnlichen Apparat oder einen, der den gleichen Funktionen dient, erwerben, können Sie das alte Gerät kostenlos beim Kauf des neuen Gerätes an Ihren Verkäufer zurückgeben.

1.5 Oder Sie können den Apparat zu einer der öffentlichen Annahmestellen für diese Art von Sondermüll bringen.

1.6 Wir übernehmen die Kosten der Entsorgung.

1.7 Die Apparate sind mit einem Etikett mit dem Symbol eines „durchgestrichenen Abfallcontainers mit Rädern“ versehen. Dieses Symbol gibt an, dass es sich um Sondermüll handelt, und nicht um gewöhnlichen städtischen Müll.

1.8 Unsere Produkte bestehen aus Materialien und Komponenten hoher Qualität, die umweltfreundlich sind und wieder benutzt oder recycelt werden können. Dennoch sind die verschiedenen Teile, aus denen dieses Produkt besteht, nicht biologisch abbaubar, deshalb können sie nicht einfach weggeworfen werden. Um dieses Produkt korrekt zu recycling, bitte den elektrischen Motor von der Filteranlage zerlegen.

IT - CONTENITORE DELLA SPAZZATURA, SBARRATO

1.1 Allo scopo di ridurre la quantità di residui di apparati elettrici ed elettronici, la pericolosità dei componenti, promuovere il riutilizzo degli apparecchi, la valutazione dei loro residui e determinare una gestione adeguata cercando di migliorare l'efficacia della protezione ambientale, si stabiliscono una serie di norme applicabili alla fabbricazione del prodotto ed altre relative alla corretta gestione ambientale quando si trasformino in residui.

1.2 Allo stesso modo, si cerca di migliorare il comportamento ambientale di tutti gli agenti che intervengono nel ciclo vitale degli apparecchi elettrici ed elettronici, come i produttori, i distributori, i consumatori e, in particolare, il comportamento di quegli agenti direttamente implicati nella gestione dei residui derivati da questi apparecchi.

1.3 A partire dal 13 agosto del 2005, quando vorrà disfarsi di questo apparecchio, avrà due possibili sistemi di rottamazione a sua disposizione:

1.4 Se acquista un apparecchio nuovo che sia di tipo equivalente o che svolga le stesse funzioni di quello da rottamare, potrà consegnarlo direttamente al distributore, senza alcun costo, al momento dell'acquisto;

1.5 Potrà portarlo nel luogo appositamente destinato dai vari enti locali.

1.6 Noi ci faremo carico dei costi di gestione.

1.7 Gli apparecchi sono etichettati con il simbolo di un "contenitore della spazzatura, sbarrato", questo simbolo indica la necessaria raccolta selettiva e differenziata dal resto della spazzatura urbana.

1.8 I nostri prodotti sono progettati e fabbricati con materiali e componenti di elevata qualità, che rispettano l'ambiente, che possono essere riutilizzati e riciclati. Pur in questo caso, le varie parti che compongono questo prodotto non sono biodegradabili, per cui non devono essere abbandonate nell'ambiente. Per il riciclaggio corretto di questo prodotto, stacchi il motore dal resto dell'apparecchio di filtrazione.

NL - EEN DOORGESTREEPTE AFVALCONTAINER MET WIELEN

1.1 Teneinde het afval afkomstig van elektrische en elektronische apparaten en de schadelijke effecten van de diverse onderdelen te verminderen, het hergebruik van apparaten en de evaluatie van de effecten van het afval te bevorderen, en een gepast beheer en de bescherming van het milieu te bevorderen, zijn een aantal regels vastgesteld aangaande de fabricage van dit product alsmede de correcte milieubewuste verwerking van het apparaat wanneer het eenmaal wordt afgevoerd.

1.2 Bovendien is het de bedoeling de milieubewuste verwerking door alle agenten die bij de gebruikscyclus van de elektrische en elektronische apparaten betrokken zijn te verbeteren, zoals bijvoorbeeld leveranciers, distributeurs, gebruikers, en in het bijzonder de agenten die direct betrokken zijn bij de verwerking van het afval afkomstig van deze apparaten.

1.3 Met ingang van 13 augustus 2005 kunt u uit twee mogelijkheden kiezen wanneer u dit apparaat wilt weggoien:

1.4 Wanneer u een nieuw exemplaar aanschaft van een vergelijkbaar type of dat dezelfde functies verricht als het weg te gooien exemplaar, kunt u het oude exemplaar zonder kosten bij de distributeur inleveren bij de aankoop van het nieuwe

1.5 Of u kunt het naar de afvalverwerking brengen volgens de voorschriften van de lokale overheid.

1.6 Wij zullen de kosten van deze handelingen op ons nemen.

1.7 De apparaten zijn voorzien van een etiket met het symbool van "een doorgestreepte afvalcontainer met wielen"; dit symbool geeft aan dat het apparaat niet met het gewone afval gemengd en apart verwerkt moet worden.

1.8 Onze producten zijn ontworpen en gefabriceerd op basis van materialen en onderdelen van hoge kwaliteit die het milieu ontzien en die hergebruikt en gerecycled kunnen worden. Desondanks zijn de diverse onderdelen van dit product niet biologisch afbreekbaar, zodat deze niet in het milieu achtergelaten mogen worden. Om dit product korrekt te recyclen, relieve de elektrische motor van de Filterset los maken

PT - CONTENTOR DE LIXO COM RODAS BARRADO COM UMA CRUZ

1.1 Com o objectivo de reduzir a quantidade de resíduos dos equipamentos eléctricos e electrónicos, a perigosidade dos componentes, fomentar a reutilização dos equipamentos, a valorização dos seus resíduos e determinar uma gestão adequada tratando de melhorar a eficácia da protecção ambiental, estabelece-se uma série de normas aplicáveis ao fabrico do produto e outras relativas à correcta gestão ambiental quando se transformam em resíduos.



1.2 Do mesmo modo, pretende-se melhorar o comportamento ambiental de todos os agentes que intervêm no ciclo de vida dos equipamentos eléctricos e electrónicos, como são os produtores, os distribuidores, os utilizadores e, em particular, o dos agentes directamente implicados na gestão dos resíduos derivados destes equipamentos.

1.3 A partir do dia 13 Agosto de 2005, quando quiser desfazer-se deste aparelho, tem duas possibilidades de devolução:

1.4 Se adquirir um novo aparelho que seja de tipo equivalente ou que realize as mesmas funções que o que está a deitar fora, poderá entregá-lo ao distribuidor, sem custo, no acto da compra;

1.5 Poderá levá-lo ao local destinado pelas diferentes entidades locais.

1.6 Nós assumiremos os custos de gestão.

1.7 Os equipamentos são rotulados com o símbolo de um “contentor de lixo com rodas barrado com uma cruz”, que indica a necessidade de recolha selectiva e diferenciada do resto dos lixos urbanos.

1.8 Os nossos produtos são concebidos e fabricados com materiais e componentes de alta qualidade, respeitadores do ambiente, que podem ser reutilizados e reciclados. No entanto, as diferentes partes que compõem este produto não são biodegradáveis e, portanto, não devem ser abandonadas no meio ambiente. Para a reciclagem correta deste equipamento, por favor separe o motor eléctrico do resto do aparelho de filtração.

VCB50 -P1116

EVIDENCE OF CONFORMITY / DECLARACIÓN DE CONFORMIDAD / DÉCLARATION DE CONFORMITÉ / KONFORMITÄTSERKLÄRUNG / DICHIARAZIONE DI CONFOMITA / OVEREENSTEMMIGGSVERK LARING / DECLARAÇÃO DE CONFORMIDADE.

-The products listed above are in compliance with the safety prescriptions:

- 2014/30/UE Electromagnetic compatibility Directive.
- 2014/35/UE Low voltage Directive.
- 2011/65/EU European Directive (RoHS)
- EU REACH regulation 1907/2006.

-Los productos arriba enumerados se hallan conformes con:

- Directiva de compatibilidad electromagnética 2014/30/UE
- Directiva de equipos de baja tensión 2014/35/UE
- Directiva Europea 2011/65/UE (RoHS)
- Reglamento REACH 1907/2006.

-Les produits énumérés ci-dessus sont conformes aux prescriptions de sécurité:

- Directive de compatibilité électromagnétique 2014/30/UE.
- Directive d'équipés de basse tension 2014/35/UE
- Directive Européenne 2011/65/UE (RoHS)
- Le règlement REACH 1907/2006.

- Die obenangeführten Produkte entsprechen den Sicherheitsbestimmungen:

- Richtlinie 2014/30/UE über elektromagnetische Verträglichkeit.
- Richtlinie 2014/35/UE über die Sicherheit von elektrischen Betriebsmitteln (Niederspannungsrichtlinie).
- Europäischen Richtlinie 2011/65/EU (RoHS)
- REACH Verordnung 1907/2006.

-I prodotti su elencatisonoconformi al quantosegue:

- Direttiva sulla compatibilità elettromagnetica 2014/30/UE
- Direttiva apparecchiatura in bassa tensione 2014/35/UE
- Direttiva Europea 2011/65/UE (RoHS)
- Regolamento REACH 1907/2006.

-De bovengenoemde produkten zijn conform de zekerheidsrichtlijnen:

- De richtlijn betreffende elektromagnetische compatibiliteit 2014/30/UE.
- De laagspanningsrichtlijn 2014/35/EU.
- Europese Richtlijn 2011/65/EU.
- Europese REACH Verordening 1907/2006/EG.

-Os productos da lista acima estão conformes as:

- Directiva de compatibilidade electromagnética 2014/30/UE.
- Directiva de equipamentos de baixatensão 2014/35/UE
- Directiva Europeia 2011/65/UE (RoHS)
- Regulamento REACH 1907/2006

Sign the present conformity evidence / Firma la presente declaración / Signe la presente déclaration / Unterzeichnet diese Erklärung / Firma la seguente dichiarazione / Onder tekenent onder navigeverklaring / Assina a presente declaração:

NINGBO, CHINA 04/20/2017

Name and position: GRACE WU Commercial Director

Signature / Firma/ Unterschrift / Assinatura



宁波市世法泳池用品有限公司
NINGBO POOLSTAR POOL PRODUCTS CO., LTD

IF YOU HAVE ANY PROBLEM, CONTACT US!		www.service-gre.com
SI TIENES ALGUN PROBLEMA, ¡CONSULTENOS!	España	www.service-gre.com
EN CAS DE PROBLEME, NOUS CONSULTER!		www.service-gre.com
BEI PROBLEMEN KÖNNEN SIE SICH MIT UNS UNTER DER FOLGENDEN DEUTSCHEN	Deutschland	0800 952 49 72 info-germany@gre.es
PER OGNI VOSTRA EVENTUALE OCCORRENZA, INTERPELLATECI!	Italia	800 781 592 www.service-gre.com
MOCHT U EEN PROBLEEM HEBBEN, ... ¡RAADPLEEG ONS!	Nederlands Belgie	+31 513 62 66 66 service@aqua-fun.info
EM CASO DE PROBLEMA, ¡CONSULTAR-NOS!	Portugal	www.service-gre.com

DISTRIBUIDO POR:
MANUFACTURAS GRE. S.A.
ARITZ BIDEA Nº57, BELAKO INDUSTRIALDEA
48100 MUNGIA (BIZKAIA)· ESPAÑA
<http://www.gre.es>
Nº REG. IND.: 48-06762

- We reserve the right to change all or part of the articles or contents of this document, without prior notice
- Nos reservamos el derecho de cambiar total o parcialmente las características de nuestros artículos o el contenido de este documento sin previo aviso
- Nous nous réservons le droit de modier totalement ou en partie les caractéristiques de nos articles ou le contenu de ce document sans préavis
- Wir behalten uns das Recht vor, die technischen Daten unserer Artikel oder den Inhalt dieses Dokumentes ohne vorherigen Hinweis ganz oder teilweise zu ändern
- Ci riserviamo il diritto di cambiare totalmente o parzialmente le caratteristiche tecniche dei nostri prodotti ed il contenuto di questo documento senza nessun preavviso
- Wij behouden ons het recht voor geheel of gedeeltelijk de kenmerken van onze artikelen of de inhoud van deze handleiding zonder voorafgaand bericht te wijzigen
- Reservamo-nos o direito de alterar, total ou parcialmente, as características dos nossos artigos ou o conteúdo deste documento sem aviso prévio