



INSTALLATION AND MAINTENANCE MANUAL
MANUAL DE INSTALACIÓN Y MANTENIMIENTO
MANUEL D'INSTALLATION ET D'ENTRETIEN
EINBAU-UND BETRIEBSANLEITUNG
MANUALE DI INSTALLAZIONE E MANUTENZIONE
INSTALLATE EN ODERHOUD HANDLEIDING
MANUAL DE INSTRUÇÕES E MANUTENÇÃO



MONOBLOCK FLITER • FILTRO MONOBLOC • FILTRE MONOBLOC • MONOBLOCK-FILTER
FILTRO MONOBLOCCO • MONOBLOCK FILTER • FILTRO MONOBLOCO

English - MONOBLOCK FILTER	
INSTALLATION AND GENERAL MAINTENANCE MANUAL	page 3
Español - FILTRO MONOBLOC	
MANUAL DE INSTALACIÓN Y MANTENIMIENTO GENERAL	página 11
Français - FILTRE MONOBLOC	
MANUEL D'INSTALLATION ET MAINTENANCE GÉNÉRAL	page 19
Deutsch - MONOBLOCK-FILTER	
EINBAU-UND BETRIEBSANLEITUNG	Seite 27
Italiano - FILTRO MONOBLOCCO	
MANUALE DI INSTALLAZIONE E MANUTENZIONE GENERALE	pagina 37
Nederland- MONOBLOCK FILTER	
INSTALLATIE EN ODERHOUD HANDLEIDINGL	page 45
Portugues -FILTRO MONOBLOCO	
MANUAL DE INSTALAÇÃO E MANUTENÇÃO GERAL	página 53

INSTRUCTIONS FILTRE MONOBLOC

Read manual carefully and keep it in a safe place for future reference.

This manual covers the filtration group which is described (name and reference) in the attached document "TECHNICAL CHARACTERISTICS".

- All electrical installations should comply with the following standard:
**European Low Voltage Directive 2006/95/CE,
EN 60335-2-41, safety of household or similar electrical appliances, particular requirements for pumps.**
- As such with all rules pertaining to "to the construction of electrical installations within specific confines: swimming pools and fountains", or the equivalent standard in force in each region or country.
- The electrical installation should be done by someone qualified in working with electrical equipment. This equipment is not designed for those with physical, sensory or mental handicap or people lacking in experience, unless done under supervision or with instructions of use from a person in charge of safety.
- The height of the sand should not exceed 2/3 of the height of the tank.
- It is important to check that the suction ports are not blocked.
- Check regularly the filter level of dirtiness.
- The equipment must not be switched on while the pool is being used.
- Do not operate the equipment unless it is properly primed.
- NEVER touch the filter when it is operating if you are wet or have wet hands.
- When handling the filter or valve, DISCONNECT the power supply.
- Make sure that the ground is dry before touching the electrical equipment.
- Do not submerge the equipment or put it in a place where it could be submerged.
- Do not permit children nor adults to sit or lean on the equipment. Children should be supervised to ensure that they do not play with the equipment.
- If the supply cord is damaged, it must be replaced by the manufacturer or its service agent or a similarly qualified person in order to avoid a hazard.
- It is essential that any damaged element or set of elements is changed as soon as possible. Only use parts that are approved by the sales representative.
- The equipment should be connected to a power supply (see data on the pump's plate), with earth connection, protected by a residual current device (RCD) having a rated residual operating current not exceeding 30 mA. or by an insulating transformer.
- Forbid access to the pool if any damage of the filtration system(s) occurs.
- Where chemical products are used to treat the pool water, it is recommended that a minimum filtration time is respected in order to protect bathers' health, as stated by the health regulations.

1 PACKING COMPONENTS

The equipment which you have just purchased is a special apparatus conceived and designed especially for above ground swimming pools. As a result of its innovative design and high level of functionality, it provides you with the different components required to filter water: filter, pump and selector valve in a single unit. The main components of this filter are as follows:

FIG.	POS.	NAME
1	1A	4 functions valve
1	1B	5 functions valve
1	1C	6 functions valve
1	2	Filter
1	3	Monobloc base
1	4	Conection hose valve-pump
1	5	Pump

Some of the equipment's accessories (silica sand, hoses, manometers...) are not included in all models of monoblocs.

REQUIREMENTS FOR CORRECT INSTALLATION

This filter is easy to install and can be assembled by one adult in about 2 hours, taking care to follow the instructions detailed in this manual correctly. Only the following tools are required to correctly handle the filter components and to install it:

TASK	TOOL	ALTERNATIVE TOOL
Tighten the hose flanges	7 mm Stecker screwdriver	Philips screwdriver
Tighten the pump screws	Open-end or socket wrench	Open-end or socket wrench 13
Cut the liner	Cutter	knife
Protection of collector pipe	Piece of plastic	Piece of fabric

2 BEFORE CONNECTING THE FILTER LOCATION

Place the filter on a flat, solid surface at a minimum distance of 3.5 meters from the pool (in accordance with standard installation regulations of electric equipment in swimming pools in force in each region or country) and at the same level as the bottom of the pool to prevent air from entering the cleansing circuit and to ensure that the filter remains primed (Fig. 2). The filter should be protected from sun and rain, and kept in a sufficiently ventilated area during operation. Never cover it during operation.

In models where pool connection hoses are supplied, these will be 4.5 metres in length. In all cases, check that this length is sufficient in order to install the apparatus on a flat, solid surface more than 3.5 metres away from the pool. If the hose length is insufficient, contact your service centre.

When hoses are not supplied with the apparatus, hoses with a minimum length of 4.5 metres should be used which allow the filtering equipment to be placed on a flat, solid surface more than 3.5 metres away from the pool. This hose set is available as an optional kit from your vendor.

It is important to check that the suction ports are not blocked.

During the installation process, if in doubt, contact the vendor of the equipment

ASSEMBLY

Once the filter is set in place, proceed as follows:

- Fix the filter to the base. Depending on the monoblock filter.
- Fix the pump to the base with the screws and washers supplied (Fig. 10).
- Place the inner collector correctly on the bottom of the filter (Fig. 9).
- Cover the mouth of the collector situated on the inside of the filter with a plastic protector to make sure sand does not enter (Fig. 4).
- Put the sand inside the filter: The height of the sand should not exceed $2/3$ of the height of the tank (Fig.4).
The silica sand lasts for an unlimited period of time. It should only be replaced if lost. Record the reference of the level of silica sand for future replacement (Fig. 4).
- Remove the remains of sand from the filter opening and take off the protective plastic.
- Put the selector valve with its coupling and secure with the metal band or seal (Fig. 3).
- Firmly tighten the screw on the metal band which joins the valve to the filter (Fig. 3).
- Connect the (PUMP) and (RETURN) terminals of the selector valve to the corresponding hoses, tightening them firmly with the clamps (Fig. 5).

NOTE: Check that the hoses allow the filtering equipment to be located and fixed on a flat, solid surface that is more than 3.5 metres from the pool.

- Connect the other end of the suction hose to the skimmer tightening firmly with a clamp. Repeat the same procedure with the return nozzle terminal and connect the discharge hose.
- Following installation, the first cycle of filter backwash should be performed. In order to do so, follow the instructions in section 5.3.
- It is important to check that the suction ports are not blocked.

3 ELECTRICAL CONNECTION

All electrical installations should comply with the following standard:

European Low Voltage Directive 2006/95/CE,

EN 60335-2-41, safety of household or similar electrical appliances, particular requirements for pumps.

As such with all rules pertaining to “to the construction of electrical installations within specific confines: swimming pools and fountains”, or the equivalent standard in force in each region or country.

The equipment should be connected to a voltage (see data on the pump’s plate) power supply, with earth connection, protected by a residual current device (RCD) having a rated residual operating current not exceeding 30 mA. (Not supplied; available for purchase in electrical shops). or by an insulating transformer.

4 TOP SELECTOR VALVE VALVE TYPES AND FUNCTIONING

A- 4 function valve: The top selector valve on the filter is used to select the 4 different filter functions: filtration (filter), backwash, waste and closed.

B- 5 function valve: The top selector valve on the filter is used to select the 5 different filter functions: filter, backwash, rinse, waste and closed.

C- 6 function valve: The top selector valve on the filter is used to select the 6 different filter functions: filter, backwash, recirculate, rinse, waste and closed.

To vary the position of the 4 function valve, proceed as follows: (Fig. 6)

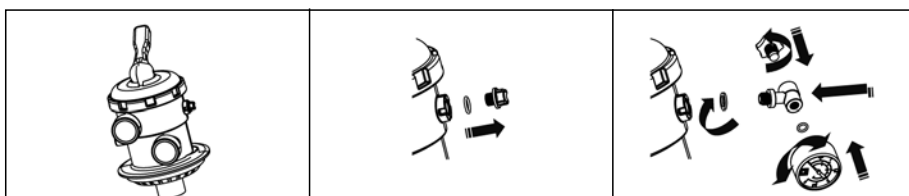
- Disconnect the equipment from the mains.
- Loosen the upper triangular knob on the valve by turning it until you can lift the cover of the housing and turn it.
- Turn the cover until the desired setting is aligned with the discharge hose, where the anchorage is, and the rib is inserted in its housing.
- Re-tighten the knob by turning it, but be careful not to over-tighten so as not to damage the internal components of the valve.

To vary the position of the 5 function valve / 6 function valve, proceed as follows: (Fig. 7)

- Disconnect the equipment from the current.
- Firmly press the upper selector valve, displacing the front rib, until you can turn it.
- Turn the control gently until the front rib is in line with the desired operation.
- Slowly release the control, making sure that the front rib is sitting firmly in its place

ASSEMBLING THE PRESSURE GAUGE

WITHOUT PRESSURE GAUGE



5 OPERATION

The operation of this filter is based on the filtration capacity of the silica sand which is inside. The water in the pool is driven by the filter pump and forced to pass through the silica sand. The sand acts as a filtering element which retains the impurities in the water. The environment, trees, pollen, insects and frequency of bathing, amongst other factors, determine the dirtiness of the water in the pool. Depending on these factors, the silica sand in the filter should be cleaned with greater or less frequency (see section 5.3). Check regularly the filter level of dirtiness.

To keep the pool water in good condition, use the chemical products recommended by the manufacturer (chlorine, alga protection, flocculants, etc.).

CHEMICAL PRODUCTS SHOULD NEVER BE PLACED IN THE BASKET OR THROUGH THE FILTER, AS THIS WOULD DETERIORATE THE MATERIALS OF THE UNIT AND LIMIT ITS EFFICACY.

Where chemical products are used to treat the pool water, it is recommended that a minimum filtration time is respected in order to protect bathers' health, as stated by the health regulations.

5.1 PRIMING THE FILTER

The filter must be correctly primed at all times. If the filter is not primed it means that an air chamber has been created inside which causes defective circulation of water. This prevents proper filtration of the water by the silica sand and is detrimental to the motor.

The filter may become unprimed for several reasons:

- Starting up a new unit.
- Starting up a unit after an extended period of inactivity.
- Following use of a suction bottom cleaner.
- Air absorbed by the skimmer due to the low level of water in the pool.
- Due to incorrect use of the unit, suction cover or skimmer plug.

When is the filter unprimed?

We can see that the filter is unprimed when:

- The water entering the filter sounds like it is falling freely. This indicates that an air chamber has been created between the water inlet and the silica sand.
- An excess of air bubbles is released through the return nozzle.
- The bottom cleaner (not supplied) does not operate with suction, and the silica sand remains clean after cleaning.

How can we prime the filter?

- Verify that the suction hose is connected to the skimmer and the passage is clear (the plug is not in place).
- With the valve on the filter position, slightly loosen the drain nut which is beside the pressure gauge, so as the air accumulated inside the filter can leave.
- When you see that only water is released (for 1 to 2 minutes), re-tighten the nut.

5.2 FILTRATION

NEVER HANDLE THE VALVE WHILE THE MOTOR IS RUNNING

Carry out a wash of the sand before the first filtration. (Part 5.3)

The valve should be in the filter position (FILTER). The service life of the filter will be longer if the periods of continuous operation do not exceed 4 hours. The need for daily filtration is determined by the volume of water in your pool in m³ in relation to the m³/h filter flow rate for a water temperature of approximately 21°C and placed 3.5 m from the pool. Leave the motor at a standstill for at least 2 h between each 4 h period of operation.

Pool volume in m³
Filter flow rate in m³/h = Hours required

Example: $\frac{42 \text{ m}^3}{5.5 \text{ m}^3/\text{h}} = 7.63 \text{ hours}$
2 cycles of 4 hours with a break of 2 hours

In the initial filtration treatment it is important to leave the filter at a standstill for the periods indicated. It is recommended that you increase the amount of time in ratio to any temperature rise in the pool.

5.3 FILTER BACKWASH

The backwash process cleans the silica sand from inside the filter. This is achieved by reversing the direction of water circulation with the top selector valve. This process should be done regularly. For this purpose you should observe several factors which indicate the dirtiness of the sand:

- When a reduction in the return flow rate of over 30% of the system's nominal flow rate is detected.
- When the manometer indicates an excessive pressure (see the maximum working pressure given in the instruction manual included with the device).

To clean the filter, proceed as follows according to valve type:

4 function valve: (Fig. 6)

- Disconnect the filter from the mains. Never move the selector valve while the motor is running.
- Loosen the upper triangular knob on the valve until you can lift the cover and turn it (Fig.6). Place the valve on the backwash setting, reinserting the cover in its housing and re-tightening the knob by turning it. Do not over-tighten the knob so as to avoid damaging the valve.
- Connect a hose to the valve waste outlet from the valve and direct the other end of the hose to a drain or sewer.
- Run the filter for approximately 2 minutes (until impurities no longer run out with the water).
- Stop the filter and leave it to rest for 2 minutes so as to let the silica settle and stop it from running out into the pool.
- Reset the valve to the desired setting (filtration or closed) (Fig. 6) and remove the hose from the drain outlet.

For 5 and 6 function valves: (Fig. 7 and Fig.8)

- Disconnect the filter from the mains. Never move the selector valve while the motor is running.
- Firmly press the upper selector valve, displacing the front rib, until you can turn it (Fig. 7).
- Turn the control gently until the front rib is in line with the backwash operation (Fig. 7).
- Connect a hose to the valve waste outlet from the valve and direct the other end of the hose to a drain or sewer.
- Run the filter for approximately 2 minutes (until impurities no longer run out with the water). In the valve model fig.8, this can be seen through the transparent window on the side.
- Stop the equipment.
- Put the valve in the rinse position and connect the filter for a few seconds (Fig. 7).
- Stop the equipment, put it in the desired filter position (Fig. 7) and remove the hose from the waste position, if you desire.

5.4 DRAINING THE POOL

The filter allows you to drain nearly the entire pool after the bathing season has ended. In order to do so, you should set the top selector valve on the waste setting (Fig. 6) (Fig. 7) without plugging in the filter and connect a hose to the valve waste outlet and direct the other end to the drain or sewer.

Depending on the skimmer model (see specific manual), proceed as follows:

5.4.1 With wall skimmer (for Dream Pool swimming pools):

- Remove the inner basket from the skimmer and cover the suction inlet with the plug supplied for this purpose.
- Disconnect the suction hose from the skimmer inlet. Loosen the clamp which secures the hose, supporting it so that no water leaks and it loses priming.
- Remove the hose, covering the end so it remains primed, and submerge it immediately in the pool.
- Weigh down the end of the suction hose with a heavy object which will not damage the liner so that it is forced to sink to the bottom of the pool.
- Start up the pump and drain the pool. Remember that the filter will not fully drain the pool. When a few centimetres of water are left and the pump no longer sucks in water, turn it off.

- If you are going to refill the pool with water, first manually remove the remaining water without damaging the liner.
- If you are going to disassemble the pool, you can fold the bag with the remaining water in the centre and after removing the plate, unfold the bag to empty it completely. This operation should only be done when you are disassembling the pool.

5.4.2. With self-supporting skimmer (for Magic Pool swimming pools):

Aside from the drain included within the pool, you can use the filter system to empty it:

- Raise the self-supporting skimmer until it is hanging outside the pool, to prevent water from entering the skimmer.
- Disconnect the suction hose from the skimmer inlet by the outer part of the pool wall. Loosen the clamp which secures the hose carefully so that the liner is not damaged. Hold the hose so that no water leaks and it loses priming.
- Remove the hose, covering the end so it remains primed, and submerge it immediately in the pool.
- Weigh down the end of the suction hose of the skimmer inlet with a heavy object which will not damage the liner so that it is forced to sink to the bottom of the pool.
- Start up the pump and drain the pool. Remember that the filter will not fully drain the pool. When the pump no longer sucks in water, turn it off.
- If you are going to refill the pool with water, first remove the remaining water through the drain without damaging the pool.

THE HOSE SHOULD NOT CONTINUE TO APPLY SUCTION TO THE BOTTOM OF THE POOL LINER. THE PUMP MAY BE SERIOUSLY DAMAGED IF IT OPERATES WITHOUT WATER CIRCULATION OR MAY DAMAGE THE LINER.

5.5 CLEANING THE BOTTOM OF THE POOL

To clean the bottom of the pool, you can use the unit's pump, using one of the following accessories:

- AR20637 or 08011 (a 32 mm diameter hose will be needed) for units FA6030 and FA6040. FS250 and FS250NP
- AR2064 (a 38 mm diameter hose will be needed) for units FA6050, FA6070, FA6080 and FA6100. FS300, FS300NP, FS400, FS400T and FS500

For any enquiries on warranties or after-sales service, please contact the vendor.

A hose which extends beyond the length required to reach all points of the pool is more difficult to use. Cut off the section of the hose which is not needed. Check that the rubber terminals conserve their seal.

Priming the bottom cleaner hose:

Insert the bottom cleaner into the pool vertically, with the pole and the hose connected. Let it fill with water and keep the rest of the hose outside of the water. Continue to insert the hose in the water slowly by 50 cm sections which should be submerged at the same time as they are completely filled with water. Proceed up until the end, when the entire hose is filled with water and submerged. If the hose is not fully primed, the bottom cleaner will not perform suction and the cleansing unit may be damaged if it is forced to operate when it is empty.

Depending on the skimmer model (see specific manual), proceed as follows:

5.5.1. With wall skimmer (Dream Pool swimming pools):

- Place the suction cover accessory inside the skimmer with the inlet facing upwards, without removing the basket.
- Prime the hose.
- Pass the end of the hose through the gate of the skimmer from the INSIDE OF THE POOL, ensuring that no air gets in. Connect it to the inlet of the suction cover, pressing it at a slant to create the join. Then insert it horizontally, introducing the hose further. Pay attention not to damage the skimmer gate during this operation.
- The water level of the skimmer should be at a maximum and above the join between the cover and the hose to prevent air from entering.
- Run the pump in the FILTER position and clean the bottom of the pool.

5.5.2. With self-supporting skimmer (Magic Pool swimming pools):

- Remove the upper floating ring from the skimmer and without removing the preliminary filtration basket, place the suction cover accessory in the upper part of the skimmer with the inlet facing upwards and immerse the skimmer inside the pool sufficiently to ensure that the suction cover does not take in air.

- Prime the hose.
- Ensuring that no air enters, connect the hose to the suction cover inlet. The join between the hose and the cover should always be submerged to prevent air from entering.
- Run the pump and clean the bottom of the pool.

5.6 RINSING MODELS 5 FUNCTION VALVE / 6 FUNCTION VALVE: (FIG. 7)

Having completed a “WASH” cycle of the filter and having put the installation on “FILTER”, for a few seconds the water will be cloudy flowing into the pool. To avoid having this cloudy water running into the pool, you can use the “RINSE” setting.

This works as follows: immediately after the “WASH”, stop the pump, turn the valve to “RINSE” (fig. 7) and connect the pump again for one minute, then stop the pump and turn the valve to “FILTER”.

5.7 RECIRCULATION: MODEL 6 FUNCTION VALVE

With the valve in this position, the water goes directly from the pump to the pool, without passing through the filter (Fig. 7).

5.8 CLOSED SETTING

The “CLOSED” setting for the selector valve is used to prevent water from circulating through the hoses and the filter.

6 CABLE REPLACEMENT

If the supply cord is damaged, it must be replaced by the manufacturer or its service agent or a similarly qualified person in order to avoid a hazard.

7 MAINTENANCE

After the bathing season has ended, the filter should be kept in a dry place where it is protected from bad weather. For this reason, after performing a final backwash to clean the silica sand, dismantle the hoses and drain the water in the filter through the tank drain plug until it is completely empty.

After removing all of the water from the filter, carefully clean the remains of silica sand from the thread before replacing the plug. Failure to do so could damage the thread.

The filter tank drain plug should only be used in this operation.

VERY IMPORTANT:

Following an extended period of inactivity, before starting up the filter check that the filter is correctly primed.

7.1 CARE OF THE PUMP

The filter pump is designed to operate without any specific maintenance. Some consumable elements or those that are exposed to wear and tear may have a shorter life-span than the guarantee period.

For any form of maintenance, contact the manufacturer or its service centre.

TROUBLE-SHOOTING AND TECHNICAL ASSISTANCE

This filter and its instructions are especially designed for home use. There is no need for professional assistance, except in special cases. The following are some of the problems and causes which may arise over time during the life-span of the filter, and which you may be able to fix on your own. For any enquiries on warranties or after-sales service, please contact the vendor.

It is essential that any damaged element or set of elements is changed as soon as possible. Only use parts that are approved by the sales representative.

Forbid access to the pool if any damage of the filtration system(s) occurs.

When handling the filter or valve, DISCONNECT the power supply.

PROBLEM	CAUSE	SOLUTION
Water leakage.	Analyze the reason for water loss.	Ensure that the clamps and terminals are in the correct position and have been tightened. If the water loss continues contact the pool manufacturer's after-sales service.
After the filter has started up, there is no flow in the return nozzle.	The valve is not in the "filter" setting.	Disconnect the filter and put the valve in the correct setting.
	The filter is above the level of the water and is unprimed.	Place the filter in the correct position and prime it.
	The suction cover or the skimmer plug has been inserted.	Remove the suction cover or the skimmer plug.
Intermittent operation.	Low water level on skimmer.	Fill the pool and prime the filter.
	The filter is not primed.	Prime the filter.
The flow rate of the filter is low.	Due to use, the filter is dirty.	Perform a backwash.
	The filter is not primed.	Prime the filter.
Water comes out through the mouth of the filter.	The connection between the valve and the filter is dirty.	Clean the sand from the opening. Insert the coupling on the valve properly and tighten the metal band firmly.
	The metal band is loose.	
The filter valve leaks through the drain terminal (WASTE).	Damage of inner coupling due to incorrect use of chemical products.	Change the top valve cover.
	Valve head broken due to incorrect use (over-tightening).	Do not put chemical products in the preliminary filtration skimmer basket.
		Change the valve head; do not over-tighten.
The motor does not start up. It makes no noise or vibration.	There is no current in the electrical line.	Make sure that there is current running in the electrical line.
The motor does not start but a buzzing sound can be heard.	Problem with the motor.	Please contact the vendor.

INSTRUCCIONES FILTRO MONOBLOC

Lea atentamente y guarde esta documentación para futuras consultas.

Este manual cubre el grupo de filtración que se describe (nombre y referencia) en el documento adjunto "CARACTERÍSTICAS TÉCNICAS "

- En todo lo referente a la instalación eléctrica debe seguirse la normativa:

Directiva Europea 2006/95/CE de aparatos de baja tensión,

EN 60335-2-41, seguridad en aparatos electrodomésticos y análogos, requisitos particulares para bombas

Así como toda la normativa aplicable que haga referencia "a la construcción de instalaciones eléctricas en confines especiales. Piscinas y fuentes", o análogas, vigente en cada zona o país.

- La instalación eléctrica debe ser hecha por personal profesional cualificado en instalaciones eléctricas. Éste equipo no está destinado a personas con capacidades físicas, sensoriales o mentales reducidas o sin experiencia, a no ser que hayan tenido supervisión o instrucciones acerca de su uso por un responsable de seguridad.
- La altura de la arena no debe sobrepasar los 2/3 de la altura del depósito.
- Es obligatorio verificar que los orificios de aspiración no estén obturados.
- Se debe comprobar regularmente el nivel de obturación del filtro.
- No tenga el aparato en marcha mientras utiliza la piscina.
- No haga funcionar el equipo sin estar correctamente cebado.
- No toque NUNCA el equipo en marcha con el cuerpo húmedo o las manos húmedas.
- Siempre que deba manipular el equipo o la válvula, DESCONÉCTELO de la toma de corriente.
- Asegúrese de que el suelo está seco antes de tocar el equipo eléctrico.
- No coloque el equipo sumergido o donde pueda quedar sumergido.
- No permita ni a niños ni a adultos apoyarse o sentarse sobre el equipo. Los niños deben ser supervisados para asegurar que no juegan con el equipo.
- Si el cable de alimentación está dañado, debe ser substituído por el fabricante, por su servicio postventa o por personal cualificado similar con el fin de evitar un peligro.
- Es obligatorio cambiar lo antes posible el elemento o el conjunto de elementos deteriorados. Sólo deben utilizarse piezas aprobadas por el responsable de comercialización.
- El equipo se debe conectar a una toma de corriente (ver chapa característica bomba), con conexión a tierra, protegida con un interruptor diferencial (RCD) con una corriente de funcionamiento residual asignada que no exceda de 30 mA, o a través de un transformador de aislamiento..
- Se debe prohibir el acceso a la piscina en caso de deterioro del sistema o los sistemas de filtración.
- Cuando se utilicen productos químicos para tratar el agua de la piscina, se recomienda respetar un tiempo mínimo de filtración a fin de preservar la salud de los bañistas que depende del cumplimiento de las normas sanitarias.

1 COMPONENTES EMBALAJE

El equipo que acaba usted de comprar es un aparato especialmente concebido y diseñado para piscinas elevadas. Con un innovador diseño y una gran funcionalidad, dispone usted de los diferentes elementos necesarios para filtrar el agua: Filtro, bomba y válvula selectora en un mismo aparato. Los principales componentes de este equipo son:

FIG.	POS.	NAME
1	1A	Válvula 4 funciones
1	1B	Válvula 5 funciones
1	1C	Válvula 6 funciones
1	2	Filtro
1	3	Base monobloc
1	4	Manguera conexión válvula-bomba
1	5	Bomba

Existen algunos accesorios del equipo (Arena sílex, mangueras, manómetros...) que no están incluidos en todos los modelos de monoblocs.

NECESIDADES PARA UNA CORRECTA INSTALACIÓN

Por su facilidad de instalación este equipo puede ser montado por una persona adulta y en un periodo de tiempo de alrededor de 2 horas, con la precaución en todo momento de hacer un correcto seguimiento de las instrucciones detalladas en este manual. Para una manipulación correcta de los componentes del equipo y su correcta instalación son necesarias las siguientes herramientas:

FUNCIÓN	HERRAMIENTA	HERRAMIENTA ALTERNATIVA
Apretar las bridas de las mangueras	Destornillador stecker 7mm	Destornillador boca Philips
Apretar los tornillos de la bomba	Llave de boca o tubo 13	Llave de boca o tubo 13
Recortar el liner	Cutter	Cuchilla
Protección del tubo del colector	Trozo de plástico	Trozo de tela

2 ANTES DE CONECTAR EL FILTRO

SITUACIÓN

Colocar el equipo sobre una superficie plana y sólida, a una distancia no inferior a 3,5 metros de la piscina (según norma de instalación de equipos eléctricos en piscinas vigente en cada zona o país.) y al mismo nivel del fondo de la piscina para evitar que entre aire en el circuito de depuración y el filtro se descebe (Fig. 2). Es conveniente resguardar el equipo del sol y la lluvia, y mantenerlo con una ventilación suficiente durante su funcionamiento. Nunca tapar el equipo durante su funcionamiento.

En los equipos en los que se proporcionan las mangueras de conexión con la piscina, éstas tienen una longitud de 4,5 metros. Comprobar, en todos los casos, que dicha longitud sea suficiente para la colocación del equipo en una superficie plana y sólida y situado a más de 3,5 metros de la piscina. En el caso que la longitud de las mangueras no fuera suficiente, contacte con su servicio técnico.

En el caso que no se proporcionen las mangueras con el equipo, se deberán usar unas mangueras de longitud mínima de 4,5 metros que permitan la situación del equipo de filtrado en una superficie plana y sólida y a más de 3,5 metros de la piscina. Dicho juego de mangueras existe cómo kit opcional en su vendedor.

Es obligatorio verificar que los orificios de aspiración no estén obturados.

Durante el proceso de instalación, en caso de duda contacte con el vendedor del equipo.

MONTAJE

Una vez situado el equipo, proceder como sigue:

- Fijar filtro a base monobloc según modelo.
- Fijar la bomba en la base monobloc con los tornillos y arandelas suministradas, (Fig.10).
- Asentar correctamente el colector interior en el fondo del filtro, (Fig.9).
- Tapar la boca del colector situado en el interior del filtro con un plástico protector para evitar la entrada de arena (Fig.4).
- Introducir la arena en el interior del filtro: La altura de la arena no debe sobrepasar los 2/3 de la altura del depósito (Fig.4).
La arena de sílex tiene una duración ilimitada. Sólo debe reponerse en caso de pérdida. Tome la referencia del nivel de arena de sílex para reposiciones futuras, (Fig.4).
- Eliminar los restos de arena de la boca del filtro y retirar el plástico protector.
- Colocar la válvula selectora con su junta y colocar el zuncho o cierre, (Fig.3).
- Apretar fuertemente el tornillo del zuncho que sujeta la válvula al filtro, (Fig.3).
- Proceda a conectar en los terminales de (PUMP) y (RETURN) de la válvula selectora con las mangueras correspondientes, fijándolas fuertemente con las abrazaderas. (Fig.5) .

NOTA: Comprobar que las mangueras permitan la situación y fijación del equipo de filtrado en una superficie plana y sólida y a más de 3,5 metros de la piscina.

- Proceda a conectar el otro extremo de la manguera de aspiración al skimmer apretando fuertemente con una abrazadera, repita la operación con el terminal de la boquilla de retorno y conecte la manguera de impulsión.

- Una vez instalado, deberemos efectuar un primer ciclo de lavado del filtro, para ello seguiremos lo descrito en el apartado 5.3.
- Es obligatorio verificar que los orificios de aspiración no estén obturados.

3 CONEXIÓN ELÉCTRICA

En todo lo referente a la instalación eléctrica debe seguirse la normativa:

Directiva Europea 2006/95/CE de aparatos de baja tensión

EN 60335-2-41, seguridad en aparatos electrodomésticos y análogos, requisitos particulares para bombas.

Así como toda la normativa aplicable que haga referencia “a la construcción de instalaciones eléctricas en confines especiales. Piscinas y fuentes”, o análogas, vigente en cada zona o país.

El equipo se debe conectar a una toma de tensión (véase los datos en la chapa característica de la bomba) con conexión a tierra, protegida con un interruptor diferencial (RCD) con una corriente de funcionamiento residual asignada que no exceda de 30 mA. (No suministrado. Puede adquirirse en establecimientos de electricidad). o a través de un transformador de aislamiento.

4 VÁLVULA SELECTORA SUPERIOR

TIPOS DE VALVULAS

A- Válvula 4 funciones: La válvula selectora superior del filtro es la encargada de seleccionar las 4 diferentes funciones del filtro: filtración (filter), lavado (backwash), vaciado (waste) y cerrado (closed).

B- Válvula 5 funciones: La válvula selectora superior del filtro es la encargada de seleccionar las 5 diferentes funciones del filtro: filtración (filter), lavado (backwash), enjuague (rinse), vaciado (waste) y cerrado (closed).

C- Válvula 6 funciones: La válvula selectora superior del filtro es la encargada de seleccionar las 6 diferentes funciones del filtro: filtración (filter), lavado (backwash), recirculación (recirculate), enjuague (rinse), vaciado (waste) y cerrado (closed).

Para variar la posición de la válvula 4 funciones proceder como sigue: (Fig. 6)

- Desconectar el equipo de la toma de corriente.
- Aflojar el pomo triangular superior de la válvula hasta que nos permita levantar la tapa de su alojamiento y girarla.
- Girar la tapa hasta que la operación deseada esté alineada con la manguera de impulsión y el nervio quede encajado en su alojamiento.
- Apretar el pomo de nuevo, no excesivamente ya que se pueden dañar elementos internos de la válvula.

Para variar la posición de la válvula 5 y 6 funciones proceder como sigue: (Fig.7)

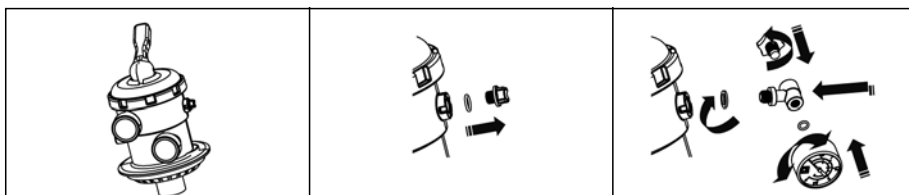
- Desconectar el equipo de la toma de corriente.
- Presionar firmemente el mando superior de la válvula desenchajando el nervio delantero de su alojamiento, hasta que nos permita girar sobre sí mismo.
- Girar suavemente el mando hasta alinear el nervio delantero con el alojamiento de la operación deseada.
- Saltar el mando sin brusquedad, comprobando que el nervio delantero queda bien encajado en su alojamiento.

MONTAJE DEL MANÓMETRO EN MODELOS

SIN MANÓMETRO

1

2



5 FUNCIONAMIENTO

El funcionamiento de este equipo se basa en la capacidad de filtrado de la arena de sílex que hay en su interior. El agua de la piscina es impulsada por la bomba del filtro y forzada a pasar a través de la arena de sílex, quedando retenidas las impurezas del agua en la arena que actúa de elemento filtrante. El ambiente, árboles, polen, insectos y frecuencia de baños, son entre otros, los factores que determinan la suciedad del agua de la piscina. La arena de sílex del filtro se deberá limpiar con mayor o menor frecuencia en función de dichos factores (ver apartado 5.3). Se debe comprobar regularmente el nivel de obturación del filtro.

Para mantener en buen estado el agua de la piscina debemos además utilizar los productos químicos aconsejados por el fabricante (cloro, antialgas, floculante, etc.).

EN NINGÚN CASO EL PRODUCTO QUÍMICO DEBE PONERSE EN EL CESTO O A TRAVÉS DEL FILTRO, ELLO DETERIORARÍA LOS MATERIALES DEL APARATO Y LIMITARÍA SU EFICACIA.

Cuando se utilicen productos químicos para tratar el agua de la piscina, se recomienda respetar un tiempo mínimo de filtración a fin de preservar la salud de los bañistas que depende del cumplimiento de las normas sanitarias.

5.1 CEBADO DEL FILTRO

Es imprescindible que el filtro se encuentre en todo momento correctamente cebado. Que el filtro no este cebado significa que en su interior se ha creado una cámara de aire que provoca una circulación defectuosa del agua, hecho este que impide el correcto filtraje de la misma por parte de la arena de sílex y perjudica el motor.

El filtro puede descebarse por varios motivos:

- Puesta en marcha de un equipo nuevo.
- Puesta en marcha de un equipo tras un periodo largo de falta de utilización.
- Tras utilizar un limpiafondos de aspiración.
- Absorción de aire por el skimmer debido a un nivel bajo en el agua de la piscina.
- Por una incorrecta utilización del equipo, tapa de aspiración o tapón de skimmer.

¿Cuándo está descebadado el filtro?

Detectaremos que el filtro está descebadado cuando:

- Comprobemos que el sonido del agua entrando en él suena a caída libre, hecho que nos indica que entre la entrada del agua y la arena de sílex se ha creado una cámara de aire.
- Comprobemos que por la boquilla de retorno salen burbujas de aire en exceso.
- Comprobemos que el limpiafondos (no suministrado) no aspira, teniendo limpia la arena de sílex tras un lavado.

¿Cómo cebar el filtro?

- Comprobar que la manguera de aspiración está conectada al skimmer y el paso abierto (no tiene el tapón puesto).
- Con la válvula en posición de filtrado (FILTER), aflojar ligeramente el tapón de purga que se encuentra junto al manómetro para que permita salir el aire acumulado en el interior del filtro.
- Cuando se observe que solo sale agua (entre 1 y 2 minutos), cerrar de nuevo el tapón de purga.

5.2 FILTRACIÓN

NO MANIPULAR EN NINGÚN CASO LA VÁLVULA CON EL MOTOR EN MARCHA.

Previo a la filtración inicial realizar un lavado de la arena. (Apartado 5.3)

La válvula debe estar en posición de filtrado (FILTER). La vida útil del filtro se alarga con periodos de funcionamiento continuado no superiores a 4 h. Sus necesidades de filtración diarias vienen determinadas por el volumen en m³ de agua de su piscina en relación a los m³/h de caudal del filtro para una temperatura del agua de 21°C aproximadamente y colocado a 3,5 m de su piscina. Deje al menos 2 h. de reposo al motor entre cada periodo de funcionamiento de 4 h.

$$\frac{\text{Volumen piscina en m}^3}{\text{Caudal filtro en m}^3/\text{h}} = \text{Horas necesarias}$$

$$\text{Ejemplo: } \frac{42 \text{ m}^3}{5,5 \text{ m}^3/\text{h}} = 7,63 \text{ horas}$$

2 ciclos de 4 horas con un ciclo intermedio de 2 horas de descanso

En el tratamiento inicial de filtración debe respetar los periodos de reposo indicados. Se recomienda aumentar el tiempo de filtración cuanto mayor sea la temperatura del agua de su piscina.

5.3 LAVADO DEL FILTRO

Con el proceso de autolavado procedemos a limpiar la arena de sílex del interior del filtro, para ello se invierte el sentido de circulación del agua mediante la válvula selectora superior. Este proceso debe hacerse con regularidad, para ello se debe estar atento a varios factores que determinan que la arena está sucia:

- Que se detecte una disminución del caudal de retorno de más del 30% del caudal nominal del equipo.
- Que el manómetro nos indique una presión excesiva (ver presión máxima de trabajo indicada en la documentación del equipo).

Para el lavado de la arena deberemos proceder como sigue:

Válvula 4 funciones: (Fig. 6)

- Desconectar el equipo de la toma de corriente. No mover nunca la válvula selectora con el motor en marcha
- Aflojar el pomo triangular superior de la válvula hasta que nos permita levantar la tapa de su alojamiento y girarla (Fig. 6). Poner la válvula en posición de autolavado (backwash), encajando nuevamente la tapa en su alojamiento y volver a apretar el pomo, no excesivamente, podría deteriorarse la válvula.
- Conectar una manguera a la salida de desagüe (waste) de la válvula y dirigir el otro extremo de la manguera a un desagüe o alcantarilla.
- Poner en marcha el filtro durante 2 min. aproximadamente (hasta que dejen de salir impurezas con el agua).
- Parar el filtro y dejar reposar durante 2 min. para permitir el asentamiento del sílex y evitar su expulsión a la piscina.
- Volver a colocar la válvula en posición deseada (filtrado o cerrado) (Fig. 6) y retirar la manguera de la salida de desagüe

Válvula 5 y 6 funciones: (Fig. 7 y 8)

- Desconectar el equipo de la toma de corriente. No mover nunca la válvula selectora con el motor en marcha
- Presionar firmemente el mando superior de la válvula desencajando el nervio delantero de su alojamiento que nos permite girar sobre sí mismo (Fig. 7).
- Girar suavemente el mando hasta alinear el nervio delantero con el alojamiento de la operación de lavado (backwash) (Fig. 7).
- Conectar una manguera a la salida de desagüe (waste) de la válvula y dirigir el otro extremo de la manguera a un desagüe o alcantarilla.
- Poner en marcha el filtro durante 2 min. aproximadamente, hasta que dejen de salir impurezas con el agua. En el modelo de válvula fig. 8 se puede observar a través de la mirilla transparente que hay en el lateral.
- Parar el equipo.
- Colocar la válvula en posición de enjuague (rinse) y conectar el filtro durante unos segundos (Fig. 7).
- Parar el equipo, pasar a la posición deseada de filtrado (filter) (Fig. 7) y retirar la manguera de la posición de desagüe (waste), si se desea .

5.4 VACIADO DE LA PISCINA

El equipo le permite vaciar casi totalmente la piscina una vez terminada la temporada de baño. Para ello deberá poner la válvula selectora superior en posición de desagüe (waste) (Fig. 6, Fig. 7), sin enchufar el equipo todavía, conectar una manguera a la salida de desagüe (waste) de la válvula y dirigir el otro extremo de la manguera a un desagüe o alcantarilla.

Según el modelo de skimmer (ver manual específico), proceder como sigue:

5.4.1. Con skimmer de pared (Piscinas Dream Pool):

- Retirar el cesto interior del skimmer y taponar la aspiración con el tapón suministrado a tal efecto.

- Desconectar la manguera de aspiración de la toma del skimmer, aflojando la abrazadera que la sujeta y sujetando la manguera para que no pierda el agua y se descebe.
- Retirar la manguera, tapando el extremo para que no se descebe, y sumergirla inmediatamente en la piscina.
- Lastrar el extremo de la manguera de aspiración con un objeto pesado que no pueda dañar el liner, para forzar su inmersión hasta el fondo de la piscina.
- Poner en marcha la bomba y proceder al vaciado de la piscina. Recuerde que con la ayuda del equipo no se vaciará totalmente la piscina, cuando queden algunos cms de agua y la bomba ya no aspire agua deberá apagarla.
- Si va a llenar nuevamente la piscina de agua, antes saque manualmente el agua restante sin dañar el liner.
- Si va a desmontar la piscina puede plegar la bolsa con el agua restante en el centro y tras retirar la chapa, desplegar la bolsa para vaciarla completamente. No se debe efectuar esta operación salvo para desmontar la piscina.

5.4.2. Con skimmer autoportante (Piscinas Magic Pool):

Además del desagüe que incorpora la piscina, puede utilizar la depuradora para vaciarla:

- Levantar el skimmer autoportante hasta que quede colgando por el lateral exterior de la piscina, para evitar que el agua entre en él.
- Desconectar la manguera de aspiración de la toma del skimmer por la parte exterior de la pared de la piscina, aflojando la abrazadera que la sujeta con precaución para no dañar el liner y sujetando la manguera para que no pierda el agua y se descebe.
- Retirar la manguera, tapando el extremo para que no se descebe, y sumergirla inmediatamente en la piscina.
- Lastrar el extremo de la manguera de aspiración de la toma del skimmer con un objeto pesado que no pueda dañar el liner, para forzar su inmersión hasta el fondo de la piscina.
- Poner en marcha la bomba y proceder al vaciado de la piscina. Recuerde que con la ayuda del equipo no se vaciará totalmente la piscina, cuando la bomba ya no aspire agua deberá apagarla.
- Si va a llenar nuevamente la piscina de agua, antes saque por el desagüe el agua restante sin dañar la piscina.

EVITAR QUE LA MANGUERA QUEDE SUCCIONANDO EL FONDO DE LINER DE LA PISCINA, PODRÍA PERJUDICAR SERIAMENTE LA BOMBA AL FUNCIONAR SIN CIRCULACIÓN DE AGUA O DAÑAR EL LINER POR SUCCIÓN.

5.5 LIMPIEZA DEL FONDO DE LA PISCINA

Para la limpieza del fondo de la piscina, aproveche la bomba del equipo, con uno de los accesorios siguientes:

- AR20637 ó 08011 (precisa manguera de diámetro 32mm) para los equipos FA6030 y FA6040. FS250 y FS250NP
- AR2064 (precisa manguera de diámetro 38mm) para los equipos FA6050, FA6070, FA6080 y FA6100.

FS300, FS300NP, FS400, FS400T y FS500

Para cualquier consulta referente a garantías o a servicio post-venta, contacte con su vendedor.

Una longitud de manguera mayor a la necesaria para llegar a todos los puntos de la piscina dificulta su uso. Recorte el tramo de manguera que le sobre. Vigile que por los terminales de goma no pierda su estanqueidad.

Cebado de la manguera del limpiafondos:

Introducir despacio en el interior de la piscina el limpiafondos con la pertiga y la manguera conectada, verticalmente, dejando que se llene de agua, manteniendo el resto de la manguera fuera del agua. Vaya introduciendo la manguera en el agua despacio por tramos de 50 cm que deben quedar hundidos a la vez que se llenan completamente de agua, hasta el final, donde toda la manguera deberá quedar llena de agua y hundida. Si la manguera no está totalmente cebada, el limpiafondos no aspirará y podremos dañar la depuradora haciéndola trabajar en vacío.

Según el modelo de skimer (ver manual específico), proceder como sigue:

5.5.1. Con skimmer de pared Piscinas Dream Pool):

- Poner en el interior del skimmer el accesorio tapa aspiración con la toma hacia arriba, sin sacar el cesto.
- Cebado la manguera.
- Pasar desde EL INTERIOR DE LA PISCINA el extremo de la manguera por la compuerta del skimmer y cuidando que no entre aire en ella, conectarla a la toma de la tapa aspiración, sujetando esta en oblicuo para facilitar la unión. Luego alojarla horizontalmente introduciendo más la manguera. Atención no dañar la compuerta del skimmer en esta operación.

- El nivel de agua del skimmer debe estar al máximo y por encima de la unión entre la tapa y la manguera para evitar la entrada de aire.
- Poner en marcha la bomba en posición de filtrado (FILTER) y proceder al limpiado del fondo de la piscina.

5.5.2. Con skimmer autoportante Piscinas Magic Pool):

- Quitar el anillo superior flotante del skimmer y sin sacar el cesto prefiltro, poner en la parte superior del skimmer el accesorio tapa aspiración con la toma hacia arriba y hundir el skimmer en el interior de la piscina lo suficiente para que la tapa aspiración no tome aire.
- Cebbar la manguera.
- Cuidando que no entre aire en ella, conectarla a la toma de la tapa aspiración. La unión de la manguera y la tapa debe quedar siempre sumergida para evitar la entrada de aire.
- Poner en marcha la bomba y proceder a la limpieza del fondo de la piscina

5.6 ENJUAGUE PARA VÁLVULAS 5 FUNCIONES/6 FUNCIONES: (FIG. 7)

Después de haber realizado un "LAVADO" del filtro y poner la instalación en posición de "FILTRACIÓN", el agua durante unos segundos afluye a la piscina de color turbio, con el fin de evitar que esta agua turbia circule a la piscina existe esta posición de la válvula selectora "ENJUAGUE".

Operar como sigue: Inmediatamente después del "LAVADO", parar la bomba, situar la válvula en posición de "ENJUAGUE" (Fig.7).y conectar la bomba durante 1 minuto, transcurrido éste parar la bomba y situar la válvula en "FILTRACIÓN".

5.7 RECIRCULACIÓN PARA VÁLVULA DE 6 FUNCIONES

En esta posición la válvula selectora efectúa el paso del agua procedente de la bomba directamente a la piscina, sin pasar por el interior del filtro. (Fig.7).

5.8 CIERRE

La posición de la válvula selectora cerrado (CLOSED) se utiliza para evitar la circulación del agua a través de las mangueras y del filtro. .

6 SUSTITUCIÓN DEL CABLE

Si el cable de alimentación está dañado, debe ser substituído por el fabricante, por su servicio postventa o por personal cualificado similar con el fin de evitar un peligro.

7 MANTENIMIENTO

Una vez terminada la temporada de baño se deberá guardar el equipo en lugar seco y protegido de la intemperie.

Por este motivo y tras haber hecho un autolavado final para dejar límpia la arena de sílex, se desmontarán las mangueras y se vaciará totalmente de agua del filtro a través del tapón de vaciado del depósito.

Una vez expulsada toda el agua del equipo, limpiar cuidadosamente la rosca de residuos de arena de sílex antes de volver a colocar el tapón, ya que podrían inutilizar la rosca.

El tapón de vaciado del deposito filtro solo debe ser usado en esta operación.

MUY IMPORTANTE:

Antes de poner el equipo en funcionamiento tras un largo período de inactividad asegurarse que el filtro está correctamente cebado.

7.1 CUIDADOS DE LA BOMBA

La bomba del equipo está preparada para funcionar con un mínimo mantenimiento. Algunos elementos fungibles o sometidos a desgaste pueden tener una vida útil inferior al período de garantía del equipo.

Para cualquier acción de mantenimiento contacte con el fabricante de la piscina o su servicio técnico.

SOLUCIÓN DE AVERIAS Y SERVICIO TÉCNICO

Este equipo y sus instrucciones están especialmente diseñados para una utilización familiar, sin necesidad de una intervención profesional, salvo en casos excepcionales. Aquí presentamos los problemas y causas que pueden surgir con el paso de los años de vida útil del filtro y que usted puede solucionar. Para cualquier consulta referente a garantías o a servicio post-venta, contacte con su vendedor.

Es obligatorio cambiar lo antes posible el elemento o el conjunto de elementos deteriorados. Sólo deben utilizarse piezas aprobadas por el responsable de comercialización.

Se debe prohibir el acceso a la piscina en caso de deterioro del sistema o los sistemas de filtración.

Siempre que deba manipular el equipo o la válvula, DESCONÉCTELO de la toma de corriente.

PROBLEMA	CAUSA	SOLUCIÓN
Pérdida de agua.	Analice la causa de la pérdida de agua.	Asegurar que las abrazaderas y terminales están correctamente posicionadas y apretados. Si sigue la pérdida de agua contacte con el servicio postventa del fabricante de la piscina.
Una vez puesto en marcha el equipo, no da caudal en la boquilla de retorno.	La válvula no está en la posición de filtrado (filter).	Desconectar el filtro y situar la válvula en la posición correcta.
	El filtro está por encima del nivel del agua y se ha descebado.	Situar el filtro en una posición correcta y cebarlo.
	La tapa de aspiración o el tapón del skimmer están puestos.	Quitar la tapa de aspiración o el tapón del skimmer.
Funcionamiento intermitente.	Nivel del agua en skimmer bajo.	Llenar la piscina y cebar el filtro.
	El filtro está descebado.	Proceder al cebado del filtro .
El equipo da poco caudal.	A causa de su uso el filtro está sucio.	Efectuar un autolavado.
	El filtro está descebado.	Proceder al cebado del filtro.
Sale agua por la boca del filtro.	La zona de unión entre la válvula y el filtro está sucia.	Limpie la arena de la boca, coloque correctamente la junta en la válvula y apriete fuertemente el zuncho.
	El zuncho está flojo.	
La válvula del filtro gotea por el terminal de desagüe (WASTE).	Junta interior dañada por uso incorrecto del producto químico.	Proceder al cambio de la tapa superior de la válvula.
	Válvula cabezal rota por uso incorrecto (apriete excesivo).	No poner el producto químico en el cesto prefiltro del skimmer ni en el filtro.
		Cambiar válvula cabezal, no apretar excesivamente.
No arranca el motor. No hace ningún ruido ni vibración.	Falta corriente en la línea eléctrica.	Verificar que hay corriente en la línea eléctrica.
No arranca el motor pero se oye un zumbido.	Fallo en el motor.	Contacte con su vendedor.

INSTRUCTIONS FILTRE MONOBLOC

À lire attentivement et à conserver pour une consultation ultérieure.

Ce manuel se réfère au groupe de filtration dont le nom et la référence figurent dans les "RESEIGNEMENTS TECHNIQUES" à-joints.

- Pour tout ce qui concerne l'installation électrique, il faut suivre les normes:

La Directive Européenne 2006/95/CE, relative au matériel électrique destiné à être employé dans certaines limites de tension, EN 60335-2-41, sécurité des appareils électrodomestiques et analogues, règles particulières pour les pompes.

La pompe doit être installée et utilisée comme mentionné dans la notice afin de respecter les exigences de la norme NF C 15 100.

Ainsi que toute norme applicable ayant trait « à la construction d'installations électriques, aussi bien dans des piscines couvertes que dans des piscines en plein air », ou les normes analogues en vigueur dans chaque région ou pays.

- L'installation électrique doit être réalisée par des professionnels qualifiés en installations électriques. Cet appareil n'est pas destiné à des personnes avec des capacités physiques, sensorielles ou mentales réduites ou sans expérience, à moins qu'ils aient reçu une supervision ou des instructions concernant son utilisation par un responsable de la sécurité.
- La hauteur du sable ne doit pas dépasser les 2/3 de la hauteur du réservoir.
- Il est impératif de vérifier que les orifices d'aspiration ne sont pas obstrués.
- Vérifier régulièrement le niveau de contamination du filtre.
- Veillez à ce que l'appareil ne soit pas en marche pendant que vous utilisez la piscine.
- Ne faites pas fonctionner l'appareil s'il n'est pas amorcé correctement.
- Ne touchez JAMAIS le filtre en marche si vous avez le corps ou les mains humides.
- Chaque fois que vous devez manipuler le filtre ou la vanne, DÉBRANCHEZ-LES de la prise de courant.
- Vérifiez que le sol est bien sec avant de toucher l'équipement électrique.
- Ne placez pas le filtre dans un endroit où il pourrait être mouillé, cela pourrait provoquer une électrocution.
- Interdisez aux enfants et aux adultes de s'appuyer ou de s'asseoir sur l'appareil. Les enfants doivent être surveillés afin de s'assurer qu'ils ne jouent pas avec l'appareil.
- Si le câble d'alimentation est endommagé, il doit être remplacé par le fabricant, son service après vente ou des personnes de qualification similaire afin d'éviter un danger.
- Il est impératif de changer le plus tôt possible tout élément ou ensemble d'éléments détériorés. N'utiliser que des pièces approuvées par le responsable de la mise sur le marché.
- L'appareil doit être branché sur une prise de courant (voir informations sur la tôle caractéristique de la pompe) avec prise de terre, protégé par un interrupteur différentiel (RCD) avec un courant de fonctionnement résiduel assigné qui n'excède pas 30mA, ou alimentée par un transformateur de séparation des circuits.
- Interdire l'accès à la piscine en cas de détérioration du système ou des systèmes de filtration.
- Lorsque des produits chimiques sont utilisés pour traiter l'eau de la piscine, il est recommandé que le temps minimum de filtration soit respecté afin de protéger la santé des baigneurs, à la suite des règlements de santé.

1 LISTE DU MATÉRIEL

L'appareil dont vous venez de faire l'achat est spécialement conçu pour être utilisé dans des piscines hors sol. Vous avez maintenant à votre disposition un équipement d'une conception innovatrice et d'une grande fonctionnalité comprenant l'ensemble des éléments nécessaires au filtrage de l'eau, c'est-à-dire le filtre, la pompe et la vanne de sélection. Les principaux éléments de cet appareil sont:

FIG.	POS.	NAME
1	1A	Vanne 4 fonctions
1	1B	Vanne 5 fonctions
1	1C	Vanne 6 fonctions
1	2	Filtre
1	3	Base monobloc
1	4	Tuyau connexion vanne—pompe
1	5	Pompe

Certains accessoires de l'équipement (sable de silice, tuyaux, manomètres, etc.) ne sont pas fournis avec tous les modèles de Monobloc.

CONSEILS POUR UNE INSTALLATION CORRECTE

Facile à monter, cet appareil peut être monté par une seule personne adulte et dans un temps approximatif de 2 heures. Les instructions détaillées dans ce manuel doivent être suivies correctement et à tout moment.

Pour une manipulation adéquate des composants du filtre et pour leur installation correcte, vous n'aurez besoin que des outils suivants:

FUNCTION	OUTIL	OUTIL ALTERNATIF
Serrer les colliers des tuyaux	Tournevis Stecker 7 mm	Tournevis tête Philips
Serrer les vid de la pompe	Clef plate ou à pipe 13	Clef plate ou à pipe 13
Coupe le liner	Cutter	Lame
Protection du tube du collecteur	Morceau de plastique	Morceau de tissu

2 AVANT DE CONNECTER LE FILTRE EMPLACEMENT

Placer le filtre sur une surface plane et solide, à une distance minimum de 3,5 mètres de la piscine (selon la norme relative à la construction des installations électriques dans les piscines en vigueur dans chaque région ou pays) et au même niveau que le fond de la piscine afin d'éviter que l'air ne pénètre dans le circuit d'épuration et que le filtre se désamorce (Fig. 2). Il est recommandé de protéger le filtre du soleil et de la pluie et qu'il soit toujours ventilé en cours de fonctionnement de l'appareil. Ne jamais le recouvrir pendant le fonctionnement.

Les tuyaux de raccordement fournis avec certains équipements mesurent 4,5 mètres. Vérifier néanmoins que cette longueur soit suffisante pour installer l'équipement à plus de 3,5 mètres de la piscine, sur une superficie plane et solide. Dans le cas où la longueur des tuyaux serait insuffisante, veuillez contacter votre service technique.

Dans le cas où les tuyaux ne seraient pas fournis avec l'équipement, utiliser des tuyaux d'une longueur minimum de 4,5 mètres qui permettront d'installer l'équipement à plus de 3,5 mètres de la piscine, sur une superficie plane et solide. Ce jeu de tuyaux est en vente chez votre revendeur en kit optionnel.

Il est impératif de vérifier que les orifices d'aspiration ne sont pas obstrués.

Pendant le processus d'installation, veuillez contacter le revendeur du matériel en cas de doute.

MONTAGE

Une fois le filtre mis en place, procéder comme suit:

- Fixer le filtre à la base, selon le modèle de filtre monobloc.
- Fixer la pompe à la base au moyen des vis et des rondelles fournies (Fig.10).
- Loger le collecteur intérieur correctement dans le fond du filtre (Fig. 9) .
- Boucher/protéger la bouche du collecteur situé à l'intérieur du filtre avec un plastique protecteur afin d'éviter l'entrée de sable (Fig. 4).
- Introduire le sable à l'intérieur du filtre: La hauteur du sable ne doit pas dépasser les 2/3 de la hauteur du réservoir (Fig. 4). La durée du sable de silice est illimitée. Il ne faut en remettre qu'en cas de perte. Prenez note du niveau qu'atteint le sable de silice pour savoir comment le compléter à l'avenir (Fig. 4).
- Éliminer les restes de sable de la bouche du filtre et retirer le plastique de protection.
- Placer la vanne de sélection et le joint correspondant et placer la frette ou la fermeture (Fig.3).
- Bien serrer la fermeture fixant la vanne au filtre (Fig. 3).
- Branchez sur les bornes de (PUMP) et (RETURN) de la vanne de sélection les tuyaux correspondants, en les fixant fortement au moyen des brides (Fig. 5).

NOTE

Vérifier que les tuyaux permettent d'installer et de fixer l'équipement de filtrage sur une superficie plane et solide à plus de 3,5 mètres de la piscine.

- Connecter l'autre extrémité du tuyau d'aspiration en serrant très fort avec une bride. Répéter l'opération avec la borne de la buse de retour et connecter le tuyau d'impulsion.
- Une fois installé, il faut effectuer un premier cycle d'autolavage du filtre. Suivre les instructions données au paragraphe 5.3.
- Il est impératif de vérifier que les orifices d'aspiration ne sont pas obstrués.

3 CONNEXION ÉLECTRIQUE

Pour tout ce qui a trait à l'installation électrique, il faut suivre les normes:

La Directive Européenne 2006/95/CE, relative au matériel électrique destiné à être employé dans certaines limites de tension, EN 60335-2-41, sécurité des appareils électrodomestiques et analogues, règles particulières pour les pompes. La pompe doit être installée et utilisée comme mentionné dans la notice afin de respecter les exigences de la norme NF C 15 100.

Ainsi que toute norme applicable ayant trait « à la construction d'installations électriques, aussi bien dans des piscines couvertes que dans des piscines en plein air », ou les normes analogues en vigueur dans chaque région ou pays.

L'appareil doit être branché sur une prise de courant (voir informations sur la tôle caractéristique de la pompe), avec prise de terre, protégé par un interrupteur différentiel (RCD) avec un courant de fonctionnement résiduel assigné qui n'excède pas 30mA. (Non livré avec l'appareil, peut être acquis dans un magasin de matériel électrique,) ou alimentée par un transformateur de séparation des circuits.

4 VANNE DE SÉLECTION SUPÉRIEURE**TYPE DE VANNE ET SES FONCTIONS**

A- Vanne 4 fonctions: La vanne de sélection supérieure est chargée de sélectionner les 4 fonctions différentes du filtre: filtrage (filter), lavage du sable (backwash), vidange (waste), et fermeture (closed).

B- Vanne 5 fonctions: La vanne de sélection supérieure est chargée de sélectionner les 5 fonctions différentes du filtre: filtrage (filter), lavage du sable (backwash), rinçage (rinse), vidange (waste), et fermeture (closed).

C- Vanne 6 fonctions: La vanne de sélection supérieure est chargée de sélectionner les 6 fonctions différentes du filtre: filtrage (filter), lavage du sable (backwash), remise en circulation (recirculate), rinçage (rinse), vidange (waste), et fermeture (closed).

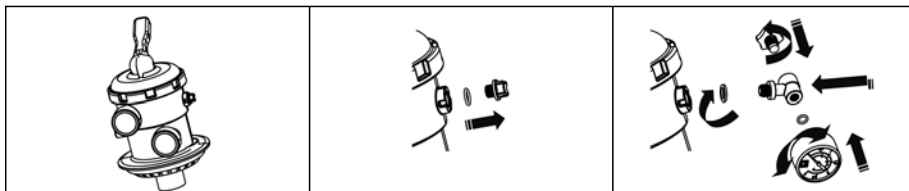
Pour modifier la position de la vanne 4 fonctions, procéder comme suit: (Fig. 6)

- Débrancher la prise de courant.
- Desserrer le pommeau triangulaire supérieur de la vanne jusqu'à ce qu'il soit possible de soulever le couvercle de son logement et de le faire tourner.
- Faire tourner le couvercle jusqu'à ce que l'opération désirée se trouve alignée avec le tuyau d'impulsion et que la nervure se trouve encastrée dans son logement.
- Resserer le pommeau, mais sans exagération, pour ne pas risquer d'endommager les éléments internes de la vanne.

Pour modifier la position de la vanne 5 fonctions / 6 fonctions, procéder comme suit: (Fig. 7)

- Débrancher la prise de courant.
- Faire pression avec fermeté sur les commandes supérieures de la vanne en débloquant la nervure avant de son logement jusqu'à ce qu'elle nous permette de la faire tourner sur lui-même.
- Faire tourner doucement la commande jusqu'à ce qu'il soit possible d'aligner la nervure avant avec le logement de l'opération désirée.
- Laisser aller la commande sans brusquer, en vérifiant que la nervure avant soit bien encastrée dans son logement.

MONTAGE DU MANOMÈTRE SANS MANOMÈTRE



5 FONCTIONNEMENT

Le fonctionnement de ce filtre se base sur la capacité de filtrage du sable de silice qu'il contient. L'eau de la piscine est impulsée par la pompe du filtre qui la force à passer à travers le sable de silice. Les impuretés en suspension dans l'eau sont alors retenues par le sable agissant comme élément filtrant. L'environnement de la piscine (arbres, pollen, insectes) ainsi que la fréquence des baignades sont notamment des facteurs responsables du degré de saleté de l'eau de la piscine en fonction desquels il faudra nettoyer plus ou moins fréquemment le sable de silice du filtre, (voir paragraphe 5.3). Vérifier régulièrement le niveau de contamination du filtre.

Pour maintenir l'eau de la piscine en bon état, il faut aussi utiliser les produits chimiques recommandés par le fabricant (chlore, produit antialgues, floculant, etc.).

LE PRODUIT CHIMIQUE NE DOIT JAMAIS ÊTRE MIS DANS LE PANIER OU VERSÉ À TRAVERS LE FILTRE, CELA POURRAIT DÉTÉRIORER LES MATÉRIAUX DE L'APPAREIL ET EN LIMITER L'EFFICACITÉ.

Lorsque des produits chimiques sont utilisés pour traiter l'eau de la piscine, il est recommandé que le temps minimum de filtration soit respecté afin de protéger la santé des baigneurs, à la suite des règlements de santé.

5.1 AMORCE DU FILTRE

Le filtre doit toujours être amorcé correctement. Dans le cas contraire, cela signifie qu'il s'est produit une entrée d'air à l'intérieur qui risque de rendre la circulation de l'eau défectueuse. Ceci empêche le sable de silice de la filtrer correctement et abîme le moteur.

Le filtre peut s'être désamorcé pour différentes raisons:

- Mise en marche d'un nouvel équipement.
- Mise en marche d'un équipement après une longue période de non utilisation.
- Après utilisation d'un nettoyeur de fond à système d'aspiration.
- Absorption d'air par le skimmer en raison du bas niveau de l'eau dans la piscine.
- En raison d'une mauvaise utilisation de l'équipement, du bouchon d'aspiration ou de celui du skimmer.

Quand le filtre est-il désamorcé? On le détectera dans les cas suivants:

- Si l'eau pénétrant dans le filtre fait un bruit de chute libre, cela signifie qu'il s'est créé une chambre d'air entre l'entrée de l'eau et le sable de silice.
- Si les bulles d'air sortant de la buse de retour sont trop nombreuses.
- Si le nettoyeur de fond (non livré avec l'appareil) n'aspire pas, alors que le sable de silice est propre et vient d'être lavé.

Comment amorcer le filtre?

- Vérifier que le tuyau d'aspiration est connecté au skimmer et que la prise d'eau est ouverte (le bouchon n'est pas mis).
- Débrancher le filtre de la prise de courant.
- Avec la vanne en position de filtrage (filter), desserrer légèrement l'écrou de vidange se trouvant à côté du manomètre pour faire sortir l'air accumulé à l'intérieur du filtre.
- Lorsqu'il ne sort plus que de l'eau (au bout d'1 ou 2 minutes), refermer l'écrou de vidange.

5.2 FILTRAGE

NE MANIPULER EN AUCUN CAS LA VANNE LORSQUE LE MOTEUR EST EN MARCHÉ.

Avant la filtration initiale, réaliser un lavage du sable (paragraphe 5.3).

La vanne doit être en position de filtrage (FILTER). La vie utile du filtre est prolongée par des périodes d'utilisation continue n'excédant pas 4 heures. Vos besoins de filtrage quotidien sont déterminés par le volume d'eau de votre piscine calculés en m³ par rapport aux m³/h de débit du filtre pour une température approximative de l'eau de 21° C et le filtre étant placé à 3,5 m de votre piscine. Il faut laisser le moteur reposer au moins 2 heures entre deux périodes de fonctionnement de 4 heures chacune.

$$\frac{\text{Volume piscine en m}^3}{\text{Débit filtre en m}^3/\text{h}} = \text{Heures nécessaires} \quad \text{Exemple: } \frac{42 \text{ m}^3}{5.5 \text{ m}^3/\text{h}} = 7,63 \text{ heures}$$

2 cycles de 4 heures avec un cycle intermédiaire de 2 heures de repos

Il faut respecter les périodes de temps de repos indiquées lors du traitement initial de filtrage. Il est recommandé d'augmenter la durée de filtration au fur et à mesure qu'augmente la température de l'eau de votre piscine.

5.3 LAVAGE DU FILTRE

Le processus de lavage consiste à laver le sable de silice se trouvant à l'intérieur du filtre: le sens de circulation de l'eau est inversé par le biais de la vanne de sélection supérieure. Ce processus doit avoir lieu régulièrement. Il faut donc faire bien attention aux différents facteurs indiquant que l'eau est sale:

- Lorsque l'on détecte une diminution du débit de retour de plus de 30% du débit nominal de l'équipement.
- Lorsque le manomètre indique une pression excessive (voir la pression maximale de travail indiquée dans le manuel d'instructions fourni avec l'appareil).

Pour le lavage du filtre, procéder comme suit:

Pour les vannes 4 fonctions (Fig. 6)

- Débrancher le filtre de la prise de courant. Ne jamais bouger la vanne de sélection quand le moteur est en marche.
- Desserrer le pommeau triangulaire supérieur de la vanne jusqu'à ce qu'il soit possible de soulever le couvercle de son logement et le faire tourner (Fig. 6). Mettre la vanne en position d'autolavage (backwash), remettre le couvercle dans son logement et resserrer le pommeau, sans exagération, pour ne pas détériorer la vanne.
- Connecter un tuyau pour à la sortie d'eau (waste) de la vanne et diriger l'autre extrémité du tuyau vers le trop-plein ou vers un égout.
- Mettre le filtre en marche pendant environ 2 minutes (jusqu'à ce que l'eau sorte absolument propre).
- Arrêter le filtre et laisser reposer pendant deux minutes, pour permettre au silice de tomber au fond et éviter ainsi qu'il ne soit expulsé vers la piscine.
- Remettre la vanne dans la position désirée (filtrage ou fermé) (Fig. 6) et retirer le tuyau de sortie du trop-plein.

Pour les vannes 5 et 6 fonctions: (Fig. 7 et Fig. 8)

- Débrancher le filtre de la prise de courant. Ne jamais déplacer la vanne de sélection lorsque le moteur est en marche.
- Faire pression avec fermeté sur les commandes supérieures de la vanne, en débloquent la nervure avant de son logement, jusqu'à ce qu'il nous permette de la faire tourner sur elle-même (Fig. 7).
- Faire tourner doucement la commande jusqu'à ce qu'il soit possible d'aligner la nervure avant avec le logement de l'opération de lavage (backwash) (Fig. 7).
- Connecter un tuyau pour à la sortie d'eau (waste) de la vanne et diriger l'autre extrémité du tuyau vers le trop-plein ou vers un égout.
- Mettre le filtre en marche pendant 2 minutes environ, jusqu'à ce qu'il n'y ait plus d'impuretés dans l'eau qui n'en sorte. Per les model de vanne fig.8 on peut observer le déroulement du processus par le petit hublot se trouvant sur le côté.
- Arrêter le filtre.
- Placer la vanne en position de rinçage (rinse) et connecter le filtre pendant quelques secondes (Fig. 7).
- Arrêter le filtre, mettre dans la position voulue de filtrage (filter) (Fig. 7) et retirer le tuyau de la position d'évacuation de l'eau (waste), le cas échéant.

5.4 VIDANGE DE LA PISCINE

Le filtre permet de vider presque complètement la piscine une fois la saison des bains terminée. Pour cela, vous devrez mettre la vanne de sélection supérieure en position d'évacuation de l'eau (waste) (Fig. 6) (Fig. 7), mais sans encore connecter le filtre. Connecter un tuyau à la sortie d'eau (waste) de la vanne et diriger l'autre extrémité du tuyau vers le trop-plein ou vers un égout.

Selon le modèle de skimmer (voir manuel spécifique), procéder comme suit:

5.4.1. Avec skimmer mural (Piscines Dream Pool):

- Retirer le panier intérieur du skimmer et boucher l'aspiration avec le bouchon prévu à cet effet.
- Déconnecter le tuyau d'aspiration de la prise du skimmer, en desserrant la bride de fixation. Tenir fermement le tuyau pour qu'il ne perde pas d'eau et qu'il ne se désamorçe pas.
- Retirer le tuyau en bouchant son extrémité pour qu'il ne se désamorçe pas, et l'immerger immédiatement dans la piscine.
- Lester l'extrémité du tuyau d'aspiration avec quelque chose de lourd qui ne puisse pas endommager le liner, pour en forcer l'immersion au fond de la piscine.
- Mettre la pompe en marche et vider la piscine. Ne pas oublier que le filtre ne permet pas de vider entièrement la piscine, et lorsqu'il ne restera plus que quelques centimètres d'eau que la pompe ne pourra plus aspirer, il faudra l'éteindre.
- Si la piscine doit être de nouveau remplie d'eau, il faut d'abord retirer à la main l'eau qui reste, sans endommager le liner.
- Si la piscine va être démontée, il est possible de plier le sac avec l'eau restante au centre et après avoir retiré la tôle, déplier le sac pour le vider complètement. Cette opération ne doit jamais être réalisée, hormis pour démonter la piscine.

5.4.2. Avec skimmer autoportant (Piscines Magic Pool):

Hormis le trop-plein faisant partie de la piscine, on peut employer le purificateur pour la vider:

- Soulever le skimmer autoportant jusqu'à ce qu'il pende sur la paroi extérieure de la piscine, pour éviter que l'eau n'y pénètre.
- Déconnecter le tuyau d'aspiration de la prise du skimmer par la paroi extérieure de la piscine, en desserrant avec précaution la bride qui le fixe pour ne pas endommager le liner, tout en tenant bien le tuyau pour qu'il ne perde pas d'eau. Le plonger immédiatement dans la piscine pour qu'il ne perde pas d'eau et ne se désamorçe pas.
- Retirer le tuyau, en bouchant son extrémité pour qu'il ne se désamorçe pas, et le plonger immédiatement dans la piscine.
- Lester l'extrémité du tuyau d'aspiration de la prise du skimmer avec quelque chose de lourd qui ne puisse pas endommager le liner, pour en forcer l'immersion au fond de la piscine.
- Mettre la pompe en marche et vider la piscine. Ne pas oublier que le filtre ne permet pas de vider entièrement la piscine, et que lorsque la pompe ne pourra plus aspirer d'eau, il faudra l'éteindre.
- Si la piscine doit être de nouveau remplie, il faudra d'abord retirer par le trop-plein l'eau restante sans endommager la piscine.

IL FAUT EVITER QUE LE TUYAU NE CONTINUE À ASPIRER LE FOND DE LINER DE LA PISCINE CAR UN FONCTIONNEMENT SANS CIRCULATION D'EAU POURRAIT ENDOMMAGER SERIEUSEMENT LA POMPE OU LE LINER PAR SUCCION.

5.5 NETTOYAGE DU FOND DE LA PISCINE

Pour nettoyer le fond du bassin, vous pouvez utiliser la pompe fournie avec l'équipe, à l'aide d'un des accessoires suivants :

- AR20637 ou 08011 (tuyau de 32 mm de diamètre requis) pour les équipes FA6030 et FA6040, FS250 et FS250NP
- AR2064 (tuyau de 38 mm de diamètre requis) pour les équipes FA6050, FA6070, FA6080 et FA6100.

FS300, FS300NP, FS400, FS400T et FS500

Pour toute question concernant la garantie ou le service après-vente, prenez contact avec votre revendeur.

Un tuyau plus long que la longueur nécessaire pour parvenir à tous les points de la piscine complique la manipulation. Il vaut mieux couper l'excédent. Faites bien attention à ce que les extrémités de caoutchouc ne perdent pas leur élasticité.

Amorçage du tuyau du nettoyeur de fond:

Introduire délicatement le nettoyeur de fonds avec la perche et le tuyau connecté à l'intérieur de la piscine, verticalement et en le laissant se remplir d'eau, tout en maintenant le reste du tuyau en dehors de l'eau. Introduire ensuite petit à petit le tuyau

dans l'eau de 50 cm en 50 cm, les segments introduits devant se remplir complètement d'eau au fur et à mesure qu'ils s'enfoncent. À la fin de l'opération, tout le tuyau doit être plongé dans l'eau et rempli. Si le tuyau n'est pas entièrement amorcé, le nettoyeur de fonds ne pourrait pas aspirer et le purificateur pourrait s'endommager en fonctionnant à vide.

Selon le modèle de skimmer (voir manuel spécifique), procéder comme suit:

5.5.1. avec skimmer mural Piscines Dream Pool:

- Mettre à l'intérieur du skimmer l'accessoire de bouchon d'aspiration avec la prise vers le haut, sans sortir le panier.
- Amorcer le tuyau.
- Passer depuis L'INTÉRIEUR DE LA PISCINE l'extrémité du tuyau par le clapet du skimmer, en faisant bien attention à ne pas laisser passer d'air, le connecter à la prise du bouchon d'aspiration, en le maintenant en position oblique pour faciliter le raccord. Puis loger le tuyau horizontalement en introduisant un peu plus le tuyau. Attention à ne pas endommager le clapet du skimmer au cours de cette opération.
- Le niveau d'eau du skimmer doit être au maximum et au-dessus du raccord entre le bouchon et le tuyau pour éviter toute entrée d'air.
- Mettre la pompe en marche en position de filtrage (FILTER) et procéder au nettoyage du fond de la piscine.

5.5.2. avec skimmer autoportant Piscines Magic Pool:

- Retirer l'anneau supérieur flottant du skimmer et sans retirer le panier de pré-filtrage, mettre dans la partie supérieure du skimmer l'accessoire de bouchon d'aspiration avec la prise vers le haut et plonger le skimmer dans la piscine, suffisamment pour que le bouchon d'aspiration ne prenne pas d'air.
- Amorcer le tuyau.
- En veillant bien à ce que l'air n'entre pas, raccorder le tuyau à la prise du bouchon d'aspiration. Le raccord entre le tuyau et le bouchon doit toujours se trouver sous l'eau pour éviter toute entrée d'air.
- Mettre la pompe en marche et procéder au nettoyage du fond de la piscine

5.6 RINÇAGE POUR LES VANNES 5 ET 6 FONCTIONS: (FIG. 7)

Après avoir réalisé un « LAVAGE » du filtre, mettre l'installation en position de « FILTRATION ». Pendant quelques secondes, l'eau qui coule dans la piscine est trouble ; pour éviter que cette eau trouble circule dans la piscine, il existe la position de la vanne de sélection « RINÇAGE ».

Procéder comme suit: Immédiatement après le « LAVAGE », arrêter la pompe, placer la vanne en position de « RINÇAGE » (Fig. 7) et faire marcher la pompe pendant une minute. Arrêter ensuite la pompe et placer la vanne en position de « FILTRATION ».

5.7 REMISE EN CIRCULATION POUR LES VANNES 6 FONCTIONS

Dans cette position, la vanne de sélection effectue le passage de l'eau provenant de la pompe directement à la piscine, sans passer à l'intérieur du filtre (Fig. 7).

5.8 FERMETURE

On utilise la position fermée de la vanne de sélection (CLOSED) pour empêcher la circulation de l'eau à travers les tuyaux et le filtre.

6 REMPLACEMENT DU CÂBLE

Si le câble d'alimentation est endommagé, il doit être remplacé par le fabricant, son service après vente ou des personnes de qualification similaire afin d'éviter un danger.

7 ENTRETIEN

Une fois terminée la saison des bains, il faut garder le filtre dans un endroit sec et à l'abri des intempéries.

À cet effet et après avoir réalisé un dernier autolavage afin que le sable de silice soit bien propre, il faut démonter les tuyaux et vider complètement d'eau le filtre en la faisant couler par le bouchon de vidange du réservoir.

Lorsqu'il ne reste plus du tout d'eau dans le filtre, nettoyer soigneusement la partie filetée pour qu'il n'y reste plus de sable de silex du tout avant de remettre en place le bouchon, car des résidus pourraient l'endommager.

Le bouchon de vidange du réservoir filtre ne doit être utilisé que pour cette opération.

TRÈS IMPORTANT:

Avant de remettre le filtre en fonctionnement après une longue période d'inactivité, vérifier que le filtre soit bien amorcé.

7.1 SOINS À APPORTER À LA POMPE

La pompe du filtre est préparée pour fonctionner sans aucun type d'entretien spécifique. Certains éléments consommables ou soumis à l'usure peuvent avoir une vie utile inférieure à la période de garantie de l'appareil. Pour toute action d'entretien, se mettre en contact avec le fabricant de la piscine ou le service technique.

RESOLUTION DE PANNES ET SERVICE TECHNIQUE

Ce filtre et les instructions données ont été spécialement conçus pour être utilisés en famille, sans avoir à faire intervenir, sauf cas exceptionnel, un professionnel. Nous vous présentons ici quelques-uns des problèmes pouvant se présenter avec le temps et la diminution de la vie utile du filtre, ainsi que les causes de ces problèmes, et la solution à y apporter. Pour toute question concernant la garantie ou le service après-vente, prenez contact avec votre revendeur.

Il est impératif de changer le plus tôt possible tout élément ou ensemble d'éléments détériorés. N'utiliser que des pièces approuvées par le responsable de la mise sur le marché.

Interdire l'accès à la piscine en cas de détérioration du système ou des systèmes de filtration.

Chaque fois que vous devez manipuler le filtre ou la vanne, DÉBRANCHEZ-LES de la prise de courant.

PROBLÈME	CAUSE	SOLUTION
Perte d'eau.	Analyser la cause de la perte d'eau.	Assurez-vous que les brides et les extrémités sont correctement positionnées et serrées. Si la perte d'eau continue, prenez contact avec le service après-vente du fabricant de la piscine.
Lorsque le filtre est en marche, il n'y a pas de débit dans la buse de retour.	La vanne n'est pas en position de filtrage (filter).	Débrancher le filtre et placer la vanne dans la bonne position.
	Le filtre se trouve au-dessus du niveau de l'eau, désamorcé.	Mettre le filtre dans la bonne position et l'amorcer.
	Les bouchons d'aspiration et du skimmer sont en place.	Retirer le couvercle d'aspiration ou celui du skimmer.
Fonctionnement par intermittence.	Niveau de l'eau trop bas dans le skimmer.	Remplir la piscine et amorcer le filtre.
	Le filtre est désamorcé.	Amorcer le filtre.
Le débit du filtre est faible.	Le filtre a été sali par l'usage.	Effectuer un autolavage.
	Le filtre est désamorcé.	Amorcer le filtre.
L'eau sort par la buse du filtre.	La zone de raccord entre la vanne et le filtre est sale.	Retirer le sable de la buse, mettre correctement en place le joint de la vanne et bien serrer la fermeture.
	La fermeture est mal serrée.	
La vanne du filtre goutte par l'extrémité du trop-plein (WASTE).	Joint inférieur endommagé par le mauvais usage d'un produit chimique.	Remplacer le couvercle supérieur de la vanne. Ne pas mettre ce produit chimique dans le panier supérieur du skimmer.
	Vanne tête cassée à cause d'un usage incorrect (trop serrée).	Remplacer la vanne de la tête et ne pas serrer avec exagération.
Le moteur ne démarre pas. Il n'y a ni bruit ni vibration.	Pas de courant sur la ligne électrique.	Vérifier que le courant arrive bien.
Le moteur ne démarre pas mais on entend un bourdonnement.	Moteur grillé.	Prenez contact avec votre revendeur.

ANLEITUNG MONOBLOC-FILTER

Bedienungsanweisungen aufmerksam lesen und für zukünftige Hinweis aufbewahren.

Diese Bedienungsanweisung entspricht die auf der beigefügten Dokument (Name und Art.Nr.) beschriebene "TECHNISCHE ANGABEN".

- Alles, was im Zusammenhang mit der elektrischen Installation steht, muss mit folgender Norm übereinstimmen:

**Europäische Richtlinie 2006/95/EWG zu Niederspannungsgeräten,
EN 60335-2-41, Sicherheit von elektrischen Haushaltsgeräten und Gleichwertigem, besondere
Anforderungen an Pumpen**

Des Weiteren gelten jegliche anwendbaren Gesetze zu „Konstruktion von Elektroinstallationen in besonderem Umfeld. Schwimmbecken und Springbrunnen“, oder Gleichwertigem, die in der jeweiligen Region oder dem jeweiligen Land vorliegen.

- Die elektrische Installation muss von dazu qualifizierten Fachleuten vorgenommen werden. Diese Anlage ist nicht geeignet für Personen mit körperlicher, mentaler oder Wahrnehmungseinschränkung oder ohne Erfahrung, es sei denn, Sie werden während der Benutzung von einem Sicherheitsverantwortlichen beaufsichtigt.
- Die Höhe des Sandes darf nicht mehr als 2/3 des Tanks betragen.
- Unbedingt überprüfen, dass die Ansaugöffnungen nicht verstopft sind.
- Regelmäßig das Verschmutzungsniveau des Filters überprüfen.
- Während der Benutzung des Schwimmbeckens darf das Gerät nicht eingeschaltet sein.
- Das Gerät darf nicht verwendet werden, wenn es nicht ordnungsgemäß gefüllt ist.
- Berühren Sie das eingeschaltete Gerät NIE mit feuchtem Körper oder feuchten Händen.
- UNTERBRECHEN Sie die Stromverbindung, wann immer Sie an Gerät oder Ventil hantieren,
- Vergewissern Sie sich, dass der Boden trocken ist, bevor Sie an der Elektrik hantieren.
- Platzieren Sie das Gerät nicht unter Wasser oder so, dass es untergetaucht werden kann.
- Weder Kinder noch Erwachsene dürfen sich auf das Gerät stützen oder sich daran anlehnen. Kinder müssen beaufsichtigt werden, um sicher zu stellen, dass Sie nicht mit dem Gerät spielen.
- Falls das Stromversorgungskabel beschädigt ist, muss es durch den Hersteller, dessen Kundendienst oder durch dafür qualifiziertes Personal ausgetauscht werden, um Gefahr zu vermeiden.
- Beschädigte Teile oder Geräteeinheiten müssen unbedingt schnellstens ausgetauscht werden. Verwenden Sie nur Teile, die vom Händler autorisiert sind.
- Das Gerät muss an einen (siehe Daten auf der Plakette mit den Eigenschaften der Pumpe) wechselstromanschluß mit Erdung angeschlossen werden. Dieser muss durch ein Differential (RCD) mit höchstens 30 mA gesichert sein oder durch einen Trenntransformator.
- Im Fall von Beschädigung des Filtersystems oder der Filtersysteme, Zugang zum Schwimmbad völlig verbieten.
- Bei Behandlung des Schwimmbadwassers mit Chemikalien, muss man den von der Gesundheitsnormen geregelten Mindestzeitraum für die Filtrierung einhalten, der die Gesundheit der Badegästen versichert.

1 LIEFERKOMPONENTEN

Das Gerät, das Sie soeben gekauft haben, ist ein Apparat, der speziell für hohe Schwimmbecken konzipiert und entworfen wurde. Innovativ im Design und mit großer Funktionsfähigkeit, verfügen Sie über die verschiedenen Bestandteile, die zum Filtern des Wassers notwendig sind: Filter, Pumpe und Wechselventil in ein und demselben Gerät. Die wichtigsten Bestandteile dieses Gerätes sind:

FIG.	POS.	NAME
1	1A	Vier-Funktion Wechselventil
1	1B	Fünf-Funktion Wechselventil
1	1C	Sechs-Funktion Wechselventil
1	2	Filter
1	3	Basis Monobloc
1	4	Verbindungsschlauch Ventil-Pumpe
1	5	Pumpe

Einige Zubehörteile der Anlage(Quarzsand, Schläuche, Druckmesser,...) sind nicht bei allen Monobloc-Modellen inbegriffen.

VORRAUSSETZUNGEN FÜR DIE KORREKTE INSTALLATION

Dank der Einfachheit der Installation dieses Gerätes kann diese durch einen Erwachsenen innerhalb von rund zwei Stunden durchgeführt werden, wobei jederzeit mit Vorsicht hantiert werden muss und die detaillierten Anweisungen in dieser Anleitung genau einzuhalten sind.

Zur korrekten Handhabung der Bestandteile des Gerätes und seiner ordnungsgemäßen Installation benötigen Sie folgende Werkzeuge

FUNKTION	WERKZEUG	ALTERNATIVE
Anziehen der Schlauchklammern	Schraubendreher Stecker 7 mm	Schraubendreher Philips
De schroeven van de pomp aandraaien	Een steek-of pijpsleutel 13	Een steek-of pijpsleutel 13
Snijden in de bekleding	Cutter	mesje
Schutz des Auffangbehälter-Rohres	Stück Plastik	Stück Stoff

2 VOR DEM ANSCHLIESSEN DES FILTERS

LAGE

Den Filter auf einer ebenen und stabilen Fläche platzieren, und zwar in einem Abstand von mindestens 3,5 Meter vom Schwimmbecken (folgend der Norm zur Installation von Elektrogeräten in Schwimmbecken in der jeweiligen Region oder dem jeweiligen Land) und auf der gleichen Höhe wie der Schwimmbeckenboden, um zu vermeiden, dass in den Reinigungskreislauf Luft eindringt und sich der Filter entleert (Abb. 2). Der Filter sollte vor Sonne und Regen geschützt und ausreichende Belüftung vorhanden sein, wenn er eingeschaltet ist. Berühren Sie das Gerät nie in eingeschaltetem Zustand.

Bei den Geräten, die mit Schläuchen für die Verbindung mit dem Schwimmbecken geliefert werden, beträgt deren Länge 4,5 Meter. Überprüfen Sie auf jeden Fall, ob die genannte Länge ausreicht, um das Gerät auf einer ebenen und stabilen Fläche in mindestens 3,5 Metern Entfernung anzubringen. Sollte die Länge der Schläuche nicht ausreichen, kontaktieren Sie bitte Ihren technischen Kundendienst.

Falls die Schläuche nicht mit dem Gerät geliefert werden, müssen Schläuche mit einer Mindestlänge von 4,5 Metern verwendet werden, mit denen das Gerät auf einer ebenen und stabilen Fläche in mindestens 3,5 Metern Entfernung vom Becken angebracht werden kann. Die genannte Garnitur an Schläuchen ist als Zusatzpaket bei Ihrem Händler erhältlich.

Unbedingt überprüfen, dass die Ansaugöffnungen nicht verstopft sind.

Sollten während des Installationsprozesses Zweifel auftauchen, kontaktieren Sie den Verkäufer des Gerätes.

MONTAGE

Haben Sie das Gerät einmal platziert, gehen Sie wie folgt vor:

- Fixieren Sie der Filter. Je nach monoblock-modell.
- Fixieren Sie die Pumpe mit den mitgelieferten Schrauben und Beilagscheiben (Abb. 10)
- Bringen Sie den inneren Auffangbehälter ordnungsgemäß am Filterboden an (Abb. 9).
- Decken Sie die Mündung des Auffangs im Inneren des Filters mit einem Stück Schutzplastik ab, um das Eindringen von Sand zu vermeiden (Abb. 4).
- Befüllen Sie das Innere des Filters mit Sand: Die Höhe des Sandes darf nicht mehr als 2/3 des Tanks betragen (Abb. 4). Der Quarz-Sand hat uneingeschränkte Haltbarkeit. Lediglich bei Schwund muss nachgefüllt werden. Merken Sie sich die Sandhöhe für zukünftige Auffüllungen (Abb. 4).
- Säubern Sie die Filtermündung von Sandresten und entfernen Sie das Schutzplastik.
- Setzen Sie das Wechselventil mit seiner Dichtung zusammen und bringen Sie die Klammer oder den Verschluss an (Abb. 3).
- Ziehen Sie die Klammerschraube, die Ventil und Filter verbindet, fest an (Abb. 3).
- Schließen Sie danach die entsprechenden Schläuche an die Eingänge (PUMP) und (RETURN) des Wechselventils an und ziehen Sie diese mit den Klammern gut fest (Abb. 5).

ANMERKUNG: Überprüfen Sie, ob die Schläuche ausreichen, um das Filtergerät auf einer ebenen und stabilen Fläche in mindestens 3,5 Metern Entfernung vom Schwimmbecken anzubringen.

- Bringen Sie als nächstes das andere Ende des Absaugschlauches am Skimmer an, wobei Sie dieses fest mit einer Klammer anziehen. Wiederholen Sie diesen Vorgang mit der Rückflusdüse und befestigen Sie den Ausstoßschlauch.
- Sobald die Installation abgeschlossen ist, muss ein erster Durchlauf zur Reinigung des Filters durchgeführt werden. Befolgen Sie dazu die Anweisungen unter Abschnitt 5.3.
- Unbedingt überprüfen, dass die Ansaugöffnungen nicht verstopft sind.

3 ELEKTROANSCHLUSS

Bei der gesamten Installation elektrischer Komponenten muss folgende Norm befolgt werden:

Europäische Richtlinie 2006/95/EWG zu Niederspannungsgeräten,

EN 60335-2-41, Sicherheit von elektrischen Haushaltsgeräten und Gleichwertigem, besondere Anforderungen an Pumpen

Des Weiteren gelten jegliche anwendbaren Gesetze zur „Konstruktion von Elektroinstallationen in besonderem Umfeld. Schwimmbecken und Springbrunnen“, oder Gleichwertigem, die in der jeweiligen Region oder dem jeweiligen Land vorliegen.

Das Gerät muss an einen (siehe Daten auf der Plakette mit den Eigenschaften der Pumpe) Wechselstromanschluß mit Erdung angeschlossen werden. Dieser muss durch ein Differential (RCD) mit höchstens 30 mA gesichert sein (nicht Teil des Lieferumfangs; im Elektrohandel erhältlich) oder durch einen Trenntransformator.

4 OBERES WECHSELVENTIL

WECHSELVENTILENART

A- Vier-Funktion Wechselventil: Durch das obere Wechselventil werden die vier verschiedenen Funktionen des Filters gewählt: Filterung (FILTER), Reinigung (BACKWASH), Entleerung (WASTE) und Schließen (CLOSED).

B- Fünf-Funktion Wechselventil: Durch das obere Wechselventil werden die fünf verschiedenen Funktionen des Filters durchgeführt: Filterung (FILTER), Reinigung (BACKWASH), Spülung (RINSE), Entleerung (WASTE) und Schließen (CLOSED).

C- Sechs-Funktion Wechselventil: Durch das obere Wechselventil werden die sechs verschiedenen Funktionen des Filters durchgeführt: Filterung (FILTER), Reinigung (BACKWASH), Umkehr der Wasserflussrichtung (RECIRCULATE), Spülung (RINSE), Entleerung (WASTE) und Schließen (CLOSED).

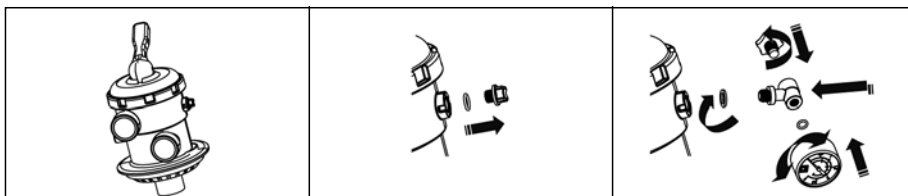
Gehen Sie zum Ändern der Position des 4-Funktionen-Ventils wie folgt vor: (Abb. 6)

- Unterbrechen Sie die Stromzufuhr zum Gerät.
- Lockern Sie den oberen dreieckigen Griff des Ventils so weit, bis Sie den Deckel erreichen können und drehen Sie diesen.
- Drehen Sie Deckel, bis der gewünschte Vorgang mit dem Ausstoßschlauch in einer Linie ist und die Feder an ihrem Platz einrastet.
- Drücken Sie den Griff erneut, jedoch nicht zu fest, da dadurch innere Teile des Ventils beschädigt werden könnten.

Gehen Sie zum Ändern der Position des 5-6-Funktionen-Ventils wie folgt vor: (Abb. 7)

- Unterbrechen Sie die Stromzufuhr zum Gerät.
- Drücken Sie fest auf den oberen Griff des Ventils und haken Sie die vordere Feder aus, bis Sie diese um sich selbst drehen können.
- Drehen Sie sanft an der Steuerung, bis die Feder mit der Position des gewünschten Vorganges in einer Linie ist.
- Lassen Sie die Steuerung vorsichtig los und stellen Sie sicher, dass die vordere Feder richtig an ihrem Platz einrastet.

MONTAGE DES MANOMETERS (DRUCKMESSER) OHNE MANOMETER



5 FUNKTIONSWEISE

Die Funktionsweise dieses Gerätes basiert auf der Filterfähigkeit des Quarz-Sandes, der sich in seinem Inneren befindet. Das Wasser aus dem Schwimmbecken wird von der Filterpumpe ausgestoßen und durch den Quarz-Sand gedrückt, wobei die Verunreinigungen des Wassers im Sand, der wie ein Filterelement arbeitet, zurückgehalten werden. Das Umfeld, Bäume, Blütenstaub, Insekten und Badehäufigkeit sind unter anderem Faktoren, von denen die Verunreinigung des Wassers abhängt. Der Quarz-Sand muss daher mehr oder weniger oft gereinigt werden (siehe Abschnitt 5.3). Regelmäßig das Verschmutzungsniveau des Filters überprüfen.

Um das Wasser im Schwimmbecken in gutem Zustand zu halten, müssen außerdem die vom Hersteller empfohlenen chemischen Produkte verwendet werden (Chlor, Algenschutzmittel, Klarmacher-Tabletten, etc.).

AUF KEINEN FALL DÜRFEN CHEMISCHE PRODUKTE AUF DEN KORB ODER DURCH DEN FILTER GELEITET WERDEN. SIE WÜRDEN DAS MATERIAL DES GERÄTES ZERSTÖREN UND SEINE FUNKTIONSFÄHIGKEIT EINSCHRÄNKEN.

Bei Behandlung des Schwimmbadwassers mit Chemikalien, muss man den von der Gesundheitsnormen gelagerten Mindestzeitraum für die Filtrierung einhalten, der die Gesundheit der Badegäste versichert.

5.1 BEFÜLLUNG DES FILTERS

Der Filter muss unbedingt und zu jeder Zeit ordnungsgemäß gefüllt sein. Falls der Filter nicht gefüllt ist, bedeutet dies, dass sich in seinem Inneren eine Luftkammer gebildet hat, die eine fehlerhafte Zirkulation des Wassers bewirkt, wodurch eine ordnungsgemäße Filtration des Wassers durch den Quarz-Sand verhindert und der Motor beschädigt wird. Der Filter kann aus verschiedenen Gründen leer sein:

- Inbetriebnahme eines neuen Gerätes.
- Inbetriebnahme eines Gerätes, das für längere Zeit nicht verwendet wurde.
- Nach einer Bodenreinigung durch Saugen.
- Luftansaugung über den Skimmer auf Grund eines zu niedrigen Wasserspiegels im Schwimmbecken.
- Nicht ordnungsgemäße Anwendung des Gerätes, des Ansaugdeckels oder des Skimmerpfropfens.

Wann ist der Filter leer?

Folgende Anzeichen deuten darauf hin, dass der Filter leer ist:

- Das Wasser, das durch den Filter fließt, macht ein fallendes Geräusch. Dies zeigt an, daß sich zwischen dem Wassereintritt und dem Quarz-Sand eine Luftblase gebildet hat.
- Aus der Rückflusdüse treten übermäßig viele Luftblasen aus.
- Der Bodenreiniger (nicht im Lieferumfang enthalten) saugt nicht, obwohl der Quarz-Sand nach einer Reinigung sauber ist.

Wie ist der Filter zu füllen?

- Überprüfen Sie, ob der Absaugschlauch mit dem Skimmer verbunden und der Durchfluss geöffnet ist (der Pfropfen ist entfernt).
- Während sich das Ventil in der Position Filterung (FILTER) befindet, lockern Sie vorsichtig den Entlüftungspfropfen, der sich neben dem Druckmesser befindet, damit die Luft, die sich im Inneren des Filters angesammelt hat, entweichen kann.
- Sobald nur noch Wasser ausfließt (zwischen ein und zwei Minuten), ist die Schraube der Entleerung wieder zu schließen.

5.2 FILTERUNG

HANTIEREN SIE AUF KEINEN FALL AM VENTIL, WENN DER MOTOR IN BETRIEB IST.

Vor der ersten Filterung ist eine Reinigung des Sandes vorzunehmen (Abschnitt 5.3).

Das Ventil muss sich in der Stellung zur Filterung (FILTER) befinden. Die Lebensdauer des Filters wird verlängert, wenn er nicht länger als vier Stunden hintereinander verwendet wird. Wie lange die tägliche Filterung dauert, hängt vom Verhältnis des Wasservolumens Ihres Beckens in m³ zur Durchflussmenge durch den Filter in m³/h bei einer Wassertemperatur von rund 21 Grad und einer Entfernung von 3,5 Metern von Ihrem Schwimmbecken ab. Schalten Sie den Motor nach vier Stunden Laufzeit zumindest zwei Stunden aus.

$$\frac{\text{Beckenvolumen in m}^3}{\text{Durchfluss Filter in m}^3/\text{h}} = \text{Nötige Stunden} \quad \text{Beispiel: } \frac{42 \text{ m}^3}{5,5 \text{ m}^3/\text{h}} = 7,63 \text{ St.}$$

2 Durchläufe à 4 Stunden mit einer Unterbrechung von 2 Stunden (Pause)

Beim ersten Filtervorgang müssen die angegebenen Ruhepausen eingehalten werden. Es wird empfohlen, die Filterzeit mit zunehmender Wassertemperatur in Ihrem Schwimmbecken zu erhöhen.

5.3 REINIGUNG DES FILTERS

Bei der automatischen Reinigung des Filters wird der Quarz-Sand im Inneren des Filters gesäubert. Hierfür wird mit dem oberen Wechselventil die Laufrichtung des Wassers umgedreht. Dieser Vorgang muss regelmäßig erfolgen, weshalb auf einige Faktoren zu achten ist, die anzeigen, ob der Sand verschmutzt ist:

- Bei einer Verringerung der Rücklaufmenge der Filteranlage höher als 30% der Nenndurchflussmenge.
- Beim starkem Druckanstieg auf dem Manometer (siehe den auf den Bedienungsanweisungen angegebenen maximalen Arbeitsdruck der Anlage).

Für 4-Funktionen-Ventile: (Abb. 6)

- Unterbrechen Sie die Stromzufuhr zum Gerät. Bewegen Sie das Wechselventil nie, solange der Motor in Betrieb ist.
- Drehen die den dreieckigen oberen Griff des Ventils, bis Sie den Deckel erreichen und drehen Sie diesen (Abb. 6). Stellen Sie das Ventil auf die Position zur automatischen Reinigung (BACKWASH), bringen Sie den Deckel an seine Position zurück und drücken Sie erneut den Griff, nicht zu stark, um das Ventil nicht zu beschädigen.
- Verbinden Sie den Schlauch an den Abwasserausgang des Ventils (WASTE) an und leiten Sie das andere Ende des Schlauches zu einem Abfluss oder Abwasserkanal.
- Setzen Sie den Filter für rund zwei Minuten in Betrieb (bis das austretende Wasser nicht mehr verunreinigt ist).
- Schalten Sie den Filter aus und warten Sie zwei Minuten, damit sich der Sand setzen kann und nicht in das Becken austritt.
- Bringen Sie das Ventil erneut in die gewünschte Position (Filterung oder Schließen) (Abb. 6) und entfernen Sie den Schlauch vom Abwasserausgang

Für 5- und 6-Funktionen-Ventile: (Abb. 7, Abb. 8)

- Unterbrechen Sie die Stromzufuhr zum Gerät. Bewegen Sie das Wechselventil nie, solange der Motor in Betrieb ist.
- Drücken Sie fest auf den oberen Antrieb des Ventils und lösen Sie die obere Feder aus ihrer Position, wodurch Sie diese um sich selber drehen können (Abb. 7).
- Drehen Sie den Antrieb sanft, bis sich die vordere Feder mit der Position des Vorganges Reinigung (BACKWASH) in einer Linie befindet (Abb. 7).
- Verbinden Sie den Schlauch mit dem Abwasserausgang (WASTE) des Ventils und leiten Sie das andere Ende des Schlauches zu einem Abfluss oder Abwasserkanal.
- Schalten Sie den Filter für rund zwei Minuten ein, bis das austretende Wasser nicht mehr verunreinigt ist. Dies können Sie (Abb. 8 Wechselventil) über das Sichtfenster an der Seite sehen.
- Schalten Sie das Gerät aus.
- Stellen Sie das Ventil auf die Spül-Position (RINSE) und schalten Sie den Filter einige Sekunden lang ein (Abb. 7).

- Schalten Sie das Gerät aus, stellen Sie auf die gewünschte Position zur Filterung (FILTER) (Abb. 7) und nehmen Sie den Schlauch vom Abwasseranschluss (WASTE), wenn gewünscht.

5.4 ENTLEREEN DES SCHWIMMBECKENS

Mit diesem Gerät können Sie Ihr Schwimmbecken am Ende der Badesaison fast vollständig entleeren. Hierzu stellen Sie das Wechselventil auf die Position Entleerung (WASTE) (Abb. 6) (Abb. 7). Bevor Sie das Gerät einschalten, schließen Sie den Schlauch an den Abwasseranschluss (WASTE) des Ventils an und leiten das andere Ende des Schlauches zu einem Abfluss oder Abwasserkanal.

Gehen Sie vor wie folgt, je nach Skimmer-Modell (siehe spezifische Anleitung):

5.4.1. Beim Modell mit Wandskimmer (Schwimmbecken Dream Pool):

- Ziehen Sie den Innenkorb des Skimmers heraus und verschließen Sie die Absaugung mit dem dafür vorgesehenen, mitgelieferten Pfropfen.
- Entfernen Sie den Absaugschlauch vom Eingang des Skimmers, indem Sie die Klammer lockern, die Sie zusammenhält, und halten Sie den Schlauch, damit kein Wasser austritt. Führen Sie den Schlauch sofort ins Schwimmbecken, damit kein Wasser austritt und er sich nicht entleert.
- Ziehen Sie den Schlauch zurück und halten Sie dabei das Ende geschlossen, damit er sich nicht entleert und tauchen Sie ihn sofort in das Schwimmbecken.
- Beschweren Sie das Ende des Absaugschlauches mit einem schweren Gegenstand, damit er den Liner nicht beschädigt und bis zum Boden des Schwimmbeckens absinkt.
- Schalten Sie das Gerät ein und beginnen Sie mit dem Entleeren des Beckens. Vergessen Sie nicht, dass das Becken mit Hilfe des Gerätes nicht vollkommen entleert werden kann. Sobald nur mehr einige Zentimeter Wasser vorhanden sind, und die Pumpe nicht mehr saugt, müssen Sie das Gerät ausschalten.
- Falls Sie das Becken erneut mit Wasser befüllen, schöpfen Sie zuerst das restliche Wasser manuell aus, ohne den Liner zu beschädigen.
- Falls Sie das Becken abbauen, können Sie den Sack mit dem restlichen Wasser in der Mitte zusammenfalten. Nachdem Sie das Blech entfernt haben, können Sie den Sack entfalten, um ihn vollständig zu entleeren. Dieser Vorgang darf nur durchgeführt werden, um das Schwimmbecken abzubauen.

5.4.2. Beim Modell mit selbsttragendem Skimmer (Schwimmbecken Magic Pool):

Neben dem Abfluss des Schwimmbeckens können Sie zu dessen Entleerung auch dieses Gerät verwenden:

- Heben Sie den selbsttragenden Skimmer so weit, dass er auf der Außenseite des Beckens hängt, um zu vermeiden, dass das Wasser auf ihn trifft.
- Entfernen Sie den Absaugschlauch vom Ausgang des Skimmers an der Beckenwand, indem Sie die Klammer, die sie zusammenhält, vorsichtig lockern, um den Liner nicht zu beschädigen. Halten Sie den Schlauch, damit kein Wasser austritt, und er sich nicht entleert.
- Ziehen Sie den Schlauch zurück und halten Sie dabei das Ende geschlossen, damit er sich nicht entleert und tauchen Sie ihn sofort in das Schwimmbecken.
- Beschweren Sie das Ende des Absaugschlauches von der Skimmerbüchse mit einem schweren Gegenstand, der den Liner nicht beschädigen kann, um ihn bis zum Beckenboden absinken zu lassen.
- Schalten Sie die Pumpe ein und beginnen Sie mit dem Entleeren des Schwimmbeckens. Vergessen Sie nicht, dass das Becken mit Hilfe des Gerätes nicht vollkommen entleert werden kann. Sobald nur mehr einige Zentimeter Wasser vorhanden sind, und sobald die Pumpe nicht mehr saugt, müssen Sie das Gerät ausschalten.
- Falls Sie das Becken erneut mit Wasser befüllen, lassen Sie zuerst das restliche Wasser über den Abfluss ab, ohne das Schwimmbecken zu beschädigen.

DER SCHLAUCH DARF NICHT AM BODEN DES LINERS WEITERSAUGEN, DA DIE PUMPE DURCH BETRIEB OHNE WASSERZIRKULATION SCHWER BESCHÄDIGT WIRD ODER DIE FOLIE DURCH DAS SAUGEN SCHADEN ERLEIDEN KÖNNTE.

5.5 REINIGUNG DES BECKENBODENS

Um den Boden des Schwimmbeckens zu reinigen, können Sie die Pumpe des Gerätes in Verbindung mit einem der folgenden Zubehörteile verwenden:

- AR20637 oder 08011 (benötigt Schlauch mit 32 mm Durchmesser) für die Geräte FA6030 und FA6040, FS250 und FS250NP
- AR2064 (benötigt Schlauch mit 38 mm Durchmesser) für die Geräte FA6050, FA6070, FA6080 und FA6100, FS300, FS300NP, FS400, FS400T und FS500

Bei jeglichen Fragen im Zusammenhang mit Garantien oder Kundendienst kontaktieren Sie bitte Ihren Händler.

Ist der Schlauch länger, als zum Erreichen aller Stellen im Schwimmbecken erforderlich, erschwert das seine Handhabung. Schneiden Sie das überflüssige Schlauchende ab. Achten Sie darauf, dass die Gummienenden nicht undicht werden.

Füllen des Schlauches für die Bodenreinigung:

Führen Sie den Bodenreiniger mit dem angeschlossenen Schlauch langsam und senkrecht in das Schwimmbecken ein, wobei sich letzterer langsam mit Wasser füllt. Der Rest des Schlauches bleibt außerhalb des Wassers. Lassen Sie den Schlauch danach in Längen von jeweils 50 Zentimeter in das Wasser ein, wobei diese, nachdem sie sich mit Wasser aufgefüllt haben, von selbst absinken und im Wasser bleiben sollten. Schließlich muss der ganze Schlauch mit Wasser gefüllt sein und im Wasser bleiben. Wenn der Schlauch nicht vollständig mit Wasser gefüllt ist, kann der Bodenreiniger nicht saugen, was Schäden an der Reinigungsanlage verursachen kann, wenn diese leer läuft.

Gehen Sie vor wie folgt, je nach Skimmer-Modell (siehe spezifische Anleitung):

5.5.1. Füllen des Schlauches für die Bodenreinigung:

- Führen Sie den Bodenreiniger mit dem angeschlossenen Schlauch langsam und senkrecht in das Schwimmbecken ein, wobei sich letzterer langsam mit Wasser füllt. Der Rest des Schlauches bleibt außerhalb des Wassers. Lassen Sie den Schlauch danach in Längen von jeweils 50 Zentimeter in das Wasser ein, wobei diese, nachdem sie sich mit Wasser aufgefüllt haben, von selbst absinken und im Wasser bleiben sollten. Schließlich muss der ganze Schlauch mit Wasser gefüllt sein und im Wasser bleiben. Wenn der Schlauch nicht vollständig mit Wasser gefüllt ist, kann der Bodenreiniger nicht saugen, was Schäden an der Reinigungsanlage verursachen kann, wenn diese leer läuft.

5.5.2. Beim Modell mit Wandskimmer (Schwimmbecken Dream Pool):

- Setzen Sie in das Innere des Skimmers den Zubehörteil Absaugdecken mit dem Eingang nach oben ein, ohne den Korb herauszunehmen.
- Füllen Sie den Schlauch.
- Führen Sie das Schlauchende aus DEM INNEREN DES SCHWIMMBECKENS zur Schleuse des Skimmers und achten Sie darauf, dass keine Luft in ihn eintritt. Verbinden Sie ihn mit dem Eingang des Absaugdeckels. Halten Sie diesen dabei schräg, um die Verbindung zu erleichtern. Danach führen Sie den Schlauch horizontal abwärts weiter ein. Achten Sie darauf, dass Sie bei diesem Vorgang nicht den Skimmer beschädigen.
- Der Skimmer muss maximalen Wasserstand haben, der über der Verbindung zwischen Deckel und Schlauch liegt, um das Eindringen von Luft zu vermeiden.
- Schalten Sie die Pumpe auf der Position Filterung (FILTER) ein und fahren Sie mit der Reinigung des Schwimmbeckenbodens fort.

5.6 SPÜLUNG FÜR 5- UND 6-FUNKTIONEN-VENTILE: (ABB.7)

Nachdem Sie eine „REINIGUNG“ des Filters durchgeführt haben und das Gerät auf die Position „FILTERUNG“ gestellt haben, fließt für einige Sekunden trübes Wasser in das Schwimmbecken. Um zu vermeiden, dass dieses trübe Wasser im Becken zirkuliert, gibt es am Wechselventil die Position „SPÜLUNG“.

Gehen Sie wie folgt vor: Unmittelbar nach der „REINIGUNG“ schalten Sie die Pumpe aus, stellen das Ventil auf die Position „SPÜLUNG“ (Abb. 7) und schalten die Pumpe eine Minute lang ein. Danach schalten Sie die Pumpe aus und stellen das Ventil auf „FILTERUNG“.

5.7 UMKEHRUNG DER WASSERRICHTUNG FÜR 6-FUNKTIONEN-VENTILE

In dieser Position des Wechselventils läuft das von der Pumpe kommende Wasser direkt in das Schwimmbecken, ohne vorher durch das Innere des Filters geleitet zu werden (Abb. 7).

5.8 SCHLIEßEN

Diese Position des Wechselventils, Schließen (CLOSED), wird verwendet, um eine Zirkulation des Wassers durch die Schläuche und den Filter zu vermeiden.

6 AUSTAUSCHEN DES KABELS

Falls das Stromversorgungskabel beschädigt ist, muss es durch den Hersteller, dessen Kundendienst oder durch dafür qualifiziertes Personal ausgetauscht werden, um Gefahr zu vermeiden.

7 WARTUNG

Sobald die Badesaison vorbei ist, muss das Gerät an einem trockenen und wettergeschütztem Ort aufbewahrt werden. Nehmen Sie daher die Schläuche ab, nachdem Sie eine letzte Selbstreinigung durchgeführt haben, um den Quarz-Sand zu reinigen. Leeren Sie den Behälter über den Ablassstopfen. Sobald das Wasser vollständig aus dem Gerät entfernt wurde, entfernen Sie vorsichtig alle Rückstände von Quarz-Sand am Gewinde. Danach bringen Sie den Pfropfen wieder an, damit das Gewinde nicht beschädigt wird.

Der Pfropfen zur Entleerung des Auffangs darf nur für diesen Vorgang verwendet werden.

BESONDERS WICHTIG: Bevor Sie das Gerät nach einer längeren Zeit des Stillstandes wieder in Betrieb nehmen, müssen Sie sicherstellen, dass der Filter ordnungsgemäß gefüllt (d.h. keine Luft im Inneren) ist.

7.1 WARTUNG DER PUMPE

Die Pumpe des Gerätes ist darauf ausgerichtet, mit einem Minimum an Wartungsvorgängen zu funktionieren. Einige Verschleiss- und Abnutzung unterliegende Teile können eine kürzere Lebensdauer als die Garantiedauer des Gerätes aufweisen. Für jegliche Art von Wartungsarbeiten kontaktieren Sie bitte den Hersteller des Schwimmbeckens oder dessen technischen Kundendienst.

PROBLEMLÖSUNG UND TECHNISCHER KUNDENDIENST

Dieses Gerät und seine Anleitungen sind in erster Linie auf den privaten Gebrauch ohne Notwendigkeit professioneller Hilfe, ausgenommen in Sonderfällen, ausgerichtet. Nachfolgend finden Sie Probleme und Ursachen, die im Laufe der Jahre während des Lebenszykluses des Filters auftreten können, und die Sie beheben können. Bei jeglichen Fragen im Zusammenhang mit Garantien oder Kundendienst kontaktieren Sie bitte Ihren Händler.

Beschädigte Teile oder Geräteeinheiten müssen unbedingt schnellstens ausgetauscht werden. Verwenden Sie nur Teile, die vom Händler autorisiert sind.

Im Fall von Beschädigung des Filtersystems oder der Filtersysteme, Zugang zum Schwimmbad völlig verboten.

UNTERBRECHEN SIE DIE STROMVERBINDUNG, WANN IMMER SIE AN GERÄT ODER VENTIL HANTIEREN.

PROBLEM	URSACHE	LÖSUNG
Austritt von Wasser.	Schlechte Verbindung zwischen Eingängen und Schläuchen.	Überprüfen, ob die Klammern und Eingänge ordnungsgemäß positioniert und angezogen sind. Falls weiter Wasser austritt, kontaktieren Sie den Kundendienst des Schwimmbeckenherstellers.
Nach Inbetriebnahme des Filters tritt kein Wasser aus der Rücklaufdüse.	Das Ventil befindet sich nicht in der Position Filterung (FILTER).	Das Gerät ausschalten und das Ventil in die richtige Stellung bringen.
	Das Gerät befindet sich höher als der Wasserstand und hat sich daher entleert.	Den Filter in die richtige Position bringen und füllen.
	Der Ansaugdeckel oder der Pfropfen des Skimmers sind angebracht.	Den Ansaugdeckel oder den Pfropfen des Skimmers entfernen.
Unregelmäßiges Arbeiten.	Geringer Wasserstand im Skimmer.	Schwimmbecken und Filter füllen.
	Der Filter ist leer.	Filter füllen.
Das Gerät hat einen geringen Durchfluss.	Durch die Benutzung ist der Filter verschmutzt.	Führen Sie einen automatischen Reinigungsvorgang durch.
	Der Filter ist leer.	Filter füllen.
Aus der Öffnung des Filters tritt Wasser aus.	Der Verbindungsbereich zwischen dem Ventil und dem Filter ist verschmutzt.	Korrekt auf das Ventil setzen und die Klammer fest anziehen.
	Die Klammer hat sich gelockert.	
Das Ventil des Filters tropft am Ende für den Abwasserausfluss (WASTE).	Defekte Innendichtung auf Grund nicht ordnungsgemäßer Verwendung des chemischen Produktes.	Tauschen Sie den oberen Deckel des Ventils aus. Keine chemischen Produkte in den Vorfilterkorb des Skimmers oder den Filter schütten.
	Das Kopfventil ist auf Grund inkorrekt Anwendung defekt (zu stark angezogen).	Das Kopfventil austauschen, nicht zu stark anziehen.
Der Motor springt nicht an. Weder ist ein Geräusch zu hören, noch ein Vibrieren zu spüren.	Keine Stromzufuhr.	Überprüfen, ob Strom in der Leitung ist.
Der Motor springt nicht an, aber ein Brummen ist zu hören.	Defekt am Motor.	Kontaktieren Sie bitte Ihren Händler

ISTRUZIONI FILTRO MONOBLOCCO

Da leggere attentamente la documentazione e da conservare per ulteriori consulte.

Questo manuale riguarda il gruppo di filtraggio che viene descritta (nome e riferimento) nel documento allegato "DATI TECNICI".

- In tutto ciò che si riferisce all'installazione elettrica, va seguita la normativa:

Direttiva Europea 2006/95/CE di apparati di bassa tensione,

EN 60335-2-41, sicurezza in apparati elettrodomestici e analoghi, requisiti particolari per pompe

Così come tutta la normativa applicabile che faccia riferimento "alla costruzione di installazioni elettriche in confini speciali. Piscine e fontane", o analoghe, vigente in ogni zona o paese.

- L'installazione elettrica deve essere eseguita da personale professionale qualificato in installazioni elettriche. Questo apparato non è destinato a persone con capacità fisiche, sensoriali o mentali ridotte o senza esperienza, a meno che non abbiamo ricevuto supervisione o istruzioni in merito al suo uso da un responsabile della sicurezza.
- L'altezza della sabbia non deve superare i 2/3 dell'altezza del deposito.
- È obbligatorio verificare la non ostruzione degli orifici d'aspirazione.
- Controllare regolarmente il livello di intasamento del filtro.
- Non mantenga l'apparato acceso mentre utilizza la piscina.
- Non faccia funzionare l'attrezzatura se non è spurgato correttamente.
- Non tocchi MAI l'attrezzatura in funzione con il corpo umido o le mani umide.
- Ogni volta che deve manipolare l'attrezzatura o la valvola, la DISCONNETTA dalla presa di corrente.
- Si assicuri che il suolo sia secco prima di toccare l'attrezzatura elettrica.
- Non collochi l'attrezzatura sommersa o dove possa rimanere sommersa.
- Non permetta né ai bambini né agli adulti di appoggiarsi o di sedersi sull'attrezzatura. I bambini devono essere controllati per assicurarsi che non giochino con l'attrezzatura.
- Se il cavo di alimentazione è danneggiato, questo va sostituito dal fabbricante, dal suo servizio di assistenza dopo vendita o da personale qualificato, così da evitare pericoli.
- È obbligatorio cambiare nel più breve tempo possibile ogni elemento o l'insieme degli elementi deteriorati. Utilizzare solamente i pezzi approvati dal responsabile della commercializzazione.
- L'attrezzatura va collegata ad una presa di tensione di corrente alterna (Vedi dati su coperchio delle caratteristiche della pompa), con una connessione a terra, protetta con un interruttore differenziali (RCD) con una corrente di funzionamento residuale assegnata che non ecceda i 30 mA o da un trasformatore di isolamento.
- Vietare l'accesso alla piscina nel caso di deterioramento del sistema o dei sistemi di filtraggio
- Qualora siano stati utilizzati prodotti chimici per trattare l'acqua della piscina, si raccomanda di rispettare un tempo minimo di filtraggio per preservare la salute dei bagnanti, che dipende dal rispetto delle norme sanitarie.

1 COMPONENTI DELL'IMBALLAGGIO

L'attrezzatura che ha appena comprato è un apparato specialmente concepito e progettato per piscine elevate. Con un disegno innovatore e una grande funzionalità, Lei dispone dei differenti elementi necessari per filtrare l'acqua: Filtro, pompa e valvola selettiva nello stesso apparato. I principali componenti di questa attrezzatura sono:

FIG.	POS.	NAME
1	1A	Valvola da 4 funzioni
1	1B	Valvola da 5 funzioni
1	1C	Valvola da 6 funzioni
1	2	Filtro
1	3	Base monoblocco
1	4	Manichetta di collegamento valvola-pompa
1	5	Pompa

Esistono alcuni accessori dell'attrezzatura (sabbia di silex, manichette, manometri...) che non sono inclusi in tutti i modelli di monoblocchi.

NECESSITÀ PER UNA CORRETTA INSTALLAZIONE

Per la sua facilità di installazione questa attrezzatura può essere montata da una persona adulta e in un periodo di tempo di circa 2 ore, avendo sempre la precauzione di seguire correttamente le istruzioni dettagliate in questo manuale.

Per una manipolazione corretta dei componenti dell'attrezzatura e per la sua corretta installazione sono necessari i seguenti attrezzi:

FUNZIONE	ATTREZZO	ATTREZZO ALTERNATIVO
Premere le briglie delle manichette	Cacciavite stecker 7 mm	Cacciavite bocca philips
Stringere le vite della pompa	Chiave a forchetta o tubo 13	Chiave a forchetta o tubo 13
Ritagliare il liner	Cutter (taglierine)	Coltello
Protezione del tubo del collettore	Pezzo di plastica	Pezzo di tela

2 PRIMA DI COLLEGARE IL FILTRO SITUAZIONE

Collocare l'attrezzatura su una superficie piana e solida, a una distanza non inferiore di 3,5 metri dalla piscina (secondo le norme di installazione delle apparecchiature elettriche in piscine vigente in ogni zona o paese) e allo stesso livello del fondo della piscina, per evitare che entri aria nel circuito di depurazione e il filtro si disinnesci (Fig. 2). È conveniente proteggere l'attrezzatura dal sole e dalla pioggia, e mantenerlo con una ventilazione sufficiente durante il suo funzionamento. Maiappare l'attrezzatura durante il suo funzionamento.

Nelle attrezzature dove vengono fornite le manichette di collegamento con la piscina, quest'ultime hanno una lunghezza di 4,5 metri. Controllare in ogni caso che tale lunghezza sia sufficiente per poter collocare l'attrezzatura su di una superficie piana e solida, che sia situata ad oltre 3,5 metri dalla piscina. Nel caso in cui la lunghezza delle manichette non fosse sufficiente, si metta in contatto con il servizio tecnico.

Nel caso in cui non vengano fornite le manichette con l'attrezzatura, bisognerà utilizzare delle manichette la cui lunghezza minima sia di 4,5 metri, che permettano all'attrezzatura di filtraggio di funzionare su una superficie piana e solida, posta ad oltre 3,5 metri dalla piscina. Il suddetto servizio di manichette esiste come kit opzionale presso il suo venditore.

È obbligatorio verificare la non ostruzione degli orifici d'aspirazione.

Durante il processo di installazione, in caso di dubbio si metta in contatto con il venditore dell'attrezzatura

MONTAGGIO

Una volta situata l'attrezzatura, procedere come segue:

- Fissare il filtro alla base, A seconda del modello di monoblocco.
- Fissare la pompa alla base con le viti e le rondelle forniti (Fig. 10).
- Collocare correttamente il collettore interno nel fondo del filtro (Fig. 9).
- Tappare la bocca del collettore situato all'interno del filtro con della plastica protettrice per evitare l'ingresso di sabbia (Fig. 4).
- Introdurre la sabbia all'interno del filtro: L'altezza della sabbia non deve superare i 2/3 dell'altezza del deposito. (Fig. 4)
La sabbia di silex ha una durata illimitata. Va ricollocata solo in caso di perdita. Prenda nota del livello di sabbia di silex per ricollocarla eventualmente in futuro (Fig. 4).
- Eliminare i resti di sabbia dalla bocca del filtro e togliere la plastica protettrice.
- Collocare la valvola selettiva con la sua giuntura e collocare la trave o la chiusura (Fig. 3).
- Premere con forza la vite della trave che sostiene la valvola al filtro (Fig. 3).
- Proceda a collegare i terminali (PUMP) e (RETURN) della valvola selettiva, le manichette corrispondente, fissandole con forza con le staffe (Fig. 5).

NOTA: Controlli che le manichette permettano il funzionamento dell'attrezzatura di filtraggio su di una superficie piana e solida, posta ad oltre 3,5 metri dalla piscina.

- Proceda a collegare l'altra estremità della manichetta di aspirazione allo skimmer, premendo con forza con una staffa, ripeta l'operazione con il terminale del filtro di ritorno e colleghi la manichetta di impulsione.
- Una volta installato, dovremo effettuare un primo ciclo di lavaggio del filtro, per questo seguiremo quanto descritto nell'apparato 5.3.
- È obbligatorio verificare la non ostruzione degli orifici d'aspirazione.

3 CONNESSIONE ELETTRICA

In tutto ciò che si riferisce all'installazione elettrica, va seguita la normativa:

Direttiva Europea 2006/95/CE di apparati di bassa tensione,

EN 60335-2-41, sicurezza in apparati elettrodomestici e analoghi, requisiti particolari per pompe.

Così come tutta la normativa applicabile che faccia riferimento "alla costruzione di installazioni elettriche in confini speciali. Piscine e fontane", o analoghe, vigente in ogni zona o paese.

L'attrezzatura va collegata ad una presa di tensione di corrente alterna (Vedi dati su coperchio delle caratteristiche della pompa) con una connessione a terra, protetta con un interruttore differenziali (RCD) con una corrente di funzionamento residuale assegnata che non ecceda i 30 mA. (Non fornito. Può essere acquistato in uno stabilimento di apparati elettrici) o da un trasformatore di isolamento

4 VALVOLA SELETRICE SUPERIORE

A- Valvola 4 funzioni: La valvola seletttrice superiore del filtro è incaricata di selezionare le 4 diverse funzioni del filtro: filtraggio (filter), lavaggio (backwash), svuotamento (waste) e chiusura (closed).

B- Valvola 5 funzioni: La valvola seletttrice superiore del filtro è incaricata di selezionare le 5 diverse funzioni del filtro: filtraggio (filter), lavaggio (backwash), risciacquo (rinse), svuotamento (waste) e chiusura (closed).

C- Valvola 6 funzioni: La valvola seletttrice superiore del filtro è incaricata di selezionare le 6 diverse funzioni del filtro: filtraggio (filter), lavaggio (backwash), ricircolo (recirculate), risciacquo (rinse), svuotamento (waste) e chiusura (closed) nei modelli.

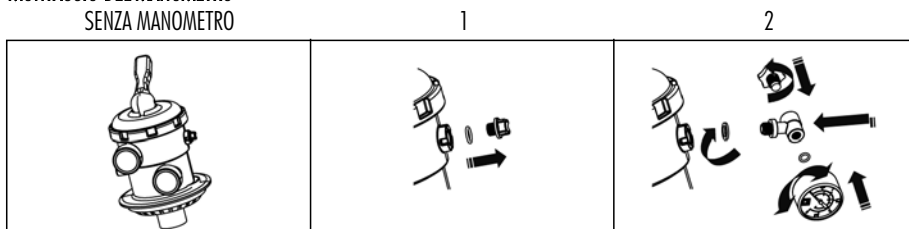
Per cambiare la posizione della valvola a 4 funzioni, procedere come segue : (Fig. 6)

- Scollegare l'attrezzatura dalla presa della corrente.
- Allentare il pomello triangolare superiore della valvola fino a che ci permetta di sollevare il coperchio del suo alloggio e girarla.
- Girare il coperchio fino a che la operazione desiderata sia allineata con la manichetta di impulsione e la nervatura sia incassata nel suo alloggio.
- Premere il pomello di nuovo, non eccessivamente poiché è possibile danneggiare gli elementi interni della valvola

Per cambiare la posizione della valvola a 5 e 6 funzioni, procedere come segue : (Fig. 7)

- Scollegare l'attrezzatura dalla presa della corrente.
- Premere con fermezza il comando superiore della valvola togliendo la nervatura anteriore dal suo alloggio, fino a che ci permetta di girare su se stesso.
- Girare soavemente il comando fino ad allineare la nervatura anteriore con l'alloggio della posizione desiderata.
- Lasciare il comando senza asprezza, controllando che la nervatura anteriore sia ben incassata nel suo alloggio.

MONTAGGIO DEL MANOMETRO SENZA MANOMETRO



5 FUNZIONAMENTO

Il funzionamento di questa attrezzatura si basa sulla capacità di filtrare la sabbia di silex che c'è al suo interno. L'acqua della piscina riceve l'impulso della pompa del filtro e viene forzata a passare attraverso la sabbia di silex, così che le impurità dell'acqua vengano trattenute dalla sabbia, che attua come elemento filtrante. L'ambiente, gli alberi, il polline, gli insetti e la frequenza dei bagni, sono tra gli altri, i fattori che determinano la sporchezza dell'acqua della piscina. La sabbia di silex del filtro andrà pulita con maggiore o minore frequenza in funzione dei suddetti fattori (si veda l'apparato 5.3). Controllare regolarmente il livello di intasamento del filtro.

Per mantenere il buono stato dell'acqua della piscina, dobbiamo inoltre utilizzare i prodotti chimici consigliati dal fabbricante (cloro, antialghe, flocculante, ecc.).

IN NESSUN CASO IL PRODOTTO CHIMICO VA POSTO NEL CESTO O ATTRAVERSO IL FILTRO, QUESTO DETERIOREREBBE O MATERIALI DELL'APPARATO E LIMITEREBBE LA SUA EFFICACIA.

Qualora siano stati utilizzati prodotti chimici per trattare l'acqua della piscina, si raccomanda di rispettare un tempo minimo di filtraggio per preservare la salute dei bagnanti, che dipende dal rispetto delle norme sanitarie.

5.1 SPURGARE IL FILTRO

È imprescindibile che il filtro sia sempre correttamente spurgato. Se il filtro non è spurgato significa che al suo interno si crea una camera d'aria che provoca una circolazione difettosa dell'acqua, un fatto che impedisce il corretto filtraggio della stessa da parte della sabbia di silex e che pregiudica il motore.

Il filtro può non essere spurgato per vari motivi:

- Messa in moto in una nuova attrezzatura.
- Messa in moto di un'attrezzatura dopo un lungo periodo di mancato utilizzo.
- Dopo aver utilizzato un pulisci-fondi di aspirazione.
- Assorbimento di aria da parte dello skimmer, dovuto a un basso livello di acqua nella piscina.
- Per un uso scorretto dell'attrezzatura, del coperchio di aspirazione o del tappo dello skimmer.

Quando il filtro non è spurgato? Ci accorgeremo che il filtro non è spurgato quando:

- Verificheremo che il rumore dell'acqua che entra in esso suona come una caduta libera, un fatto che ci indica che tra l'ingresso dell'acqua e la sabbia di silex si è creata una camera d'aria.
- Verificheremo che dall'imboccatura di ritorno escono bolle d'aria in eccesso.
- Verificheremo che il pulisci-fondi (non fornito) non aspira, mantenendo pulita la sabbia di silex dopo un lavaggio.

Come spurgare il filtro?

- Verificare che la manichetta di aspirazione sia collegata allo skimmer e al passo aperto (non abbia il tappo).

- Con la valvola in posizione di filtraggio (FILTER), allentare leggermente il tappo di scarico che si trova insieme al manometro per permettere all'aria accumularsi all'interno di filtro di uscire.
- Quando si osserva che esce solo acqua (tra 1 e 2 minuti), chiudere nuovamente il dado di purga.

5.2 FILTRAGGIO

NON MANIPOLARE IN NESSUN CASO LA VALVOLA CON IL MOTORE IN MOTO

Prima del filtraggio iniziale, realizzare un lavaggio della sabbia (apparato 5.3).

La valvola dev'essere in posizione di filtraggio (FILTER). La vita utile del filtro si allunga con periodi di funzionamento continuo non superiori a 4 ore. Le sue necessità di filtraggio giornaliere sono determinate dal volume in m³ di acqua della sua piscina, in relazione ai m³/ora di portata del filtro per una temperatura dell'acqua di 21°C approssimativamente e collocato a 3,5 m dalla sua piscina. Lasci almeno 2 ore di riposo al motore tra ogni periodo di funzionamento di 4 ore.

$$\frac{\text{Volume piscina in m}^3}{\text{Portata filtro in m}^3/\text{ora}} = \text{Ore necessarie} \quad \text{Esempio: } \frac{42 \text{ m}^3}{5,5 \text{ m}^3/\text{ora}} = 7,63 \text{ ore}$$

2 cicli di 4 ore con un ciclo intermedio di 2 ore di riposo

Nel trattamento iniziale di filtraggio bisogna rispettare i periodi di riposo indicati. Si raccomanda aumentare il tempo di filtraggio quanto maggiore sia la temperatura dell'acqua della sua piscina.

5.3 LAVAGGIO DEL FILTRO

Con il processo di autolavaggio possiamo procedere alla pulizia della sabbia di silex all'interno del filtro, per farlo si inverte il senso di circolazione dell'acqua mediante la valvola selettiva superiore. Questo processo va fatto con regolarità, stando attenti ai diversi fattori che determinano se la sabbia è sporca o meno:

- Per essere rilevata una diminuzione della portata di ritorno di più del 30 % della portata dell'apparato.
- Che il manometro indichi una pressione eccessiva (vedere pressione massima di lavoro indicata nella documentazione dell'apparato).

Per il lavaggio della sabbia dovremo procedere come segue:

Per valvole a 4 funzioni: (Fig. 6)

- Scollegare l'attrezzatura dalla presa della corrente. Non muovere mai la valvola selettiva con il motore in moto.
- Allentare il pomello triangolare superiore della valvola fino a che ci permetta di sollevare il coperchio del suo alloggiamento e girarla (Fig. 6). Sistemare la valvola in posizione di autolavaggio (backwash), facendo combaciare nuovamente il coperchio nel suo alloggiamento e premere nuovamente il pomello, non eccessivamente, poiché potrebbe deteriorarsi la valvola.
- Collegare una manichetta all'uscita dello scarico (waste) della valvola e dirigere l'altra estremità della manichetta a uno scarico o a un tombino.
- Mettere in moto il filtro per 2 minuti approssimativamente (fino a che lasci uscire le impurità con l'acqua).
- Fermare il filtro e lasciare riposare per circa 2 minuti, per permettere l'assessamento del silex ed evitare la sua espulsione nella piscina.
- Ricollocare la valvola nella posizione desiderata (filtraggio o chiusura) (Fig. 6) e ritirare la manichetta dall'uscita dello scarico.

Per valvole a 5 e 6 funzioni: (Fig. 7 e Fig. 8)

- Scollegare l'attrezzatura dalla presa della corrente. Non muovere mai la valvola selettiva con il motore in moto.
- Premere con fermezza il comando superiore della valvola, disincastando la nervatura anteriore dal suo alloggiamento che ci permette di farlo girare su se stesso (Fig. 7).
- Girare gentilmente il comando fino ad allineare la nervatura anteriore con la posizione dell'operazione di lavaggio (backwash) (Fig. 7).
- Collegare una manichetta all'uscita dello scarico (waste) della valvola e dirigere l'altra estremità della manichetta a uno scarico o a un tombino.
- Mettere in moto il filtro per 2 minuti approssimativamente, fino a che lasci uscire impurità insieme all'acqua. Nei modelli di valvola Fig.8 si può osservare tramite lo spioncino trasparente che c'è al lato.
- Spegnerne l'attrezzatura.
- Collocare la valvola in posizione di risciacquo (rinse) e collegare il filtro per qualche secondo (Fig. 7).

- Spegnere l'attrezzatura, passare alla posizione desiderata di filtraggio (filter) (Fig. 7) e ritirare la manichetta dalla posizione di scarico (waste) se lo si desidera.

5.4 SVUOTAMENTO DELLA PISCINA

L'attrezzatura le permette di svuotare quasi totalmente la piscina una volta conclusa la stagione dei bagni. Per fare questo dovrà sistemare la valvola selettiva superiore in posizione di scarico (waste) (Fig. 6) (Fig. 7), senza accendere ancora l'attrezzatura, collegare una manichetta all'uscita dello scarico (waste) della valvola e dirigere l'altra estremità della manichetta a uno scarico o a un tombino.

A seconda del modello di skimmer (vedi manuale specifico), procedere come segue:

5.4.1. Nel modello con skimmer da parete Piscine Dream Pool:

- Spostare il cesto interno dello skimmer e tappare l'aspirazione con il coperchio fornito per tale scopo.
- Scollegare la manichetta di aspirazione dalla presa dello skimmer, allentando la staffa che la sostiene e sostenere la manichetta perché non perda acqua perché non si scolleghi.
- Ritirare la manichetta, tappando l'estremità affinché non entri aria, e sommergerla immediatamente nella piscina.
- Zavorrare all'esterno questa manichetta di aspirazione con un oggetto pesante che non possa danneggiare il liner, per forzare la sua immersione fino al fondo della piscina.
- Accendere l'attrezzatura e procedere allo svuotamento della piscina. Si ricordi che con l'aiuto dell'attrezzatura non si svuoterà totalmente la piscina, quando resteranno alcuni centimetri di acqua e la pompa non aspiri più, bisognerà spegnerla.
- Se riempirà nuovamente la piscina di acqua, prima tolga manualmente l'acqua restante senza danneggiare il liner.
- Se smonterà la piscina potrà piegare la borsa con l'acqua rimanente nel centro, e dopo aver ritirato la lastra, stendere completamente la borsa per svuotarla del tutto. Questa operazione non va compiuta a meno che si stia smontando la piscina.

5.4.2. Nel modello con skimmer autoportante Piscine Magic Pool:

Oltre allo scarico incorporato nella piscina, si può utilizzare l'attrezzatura per svuotare la piscina:

- Sollevare lo skimmer autoportante fino a che resti pendente per la parte laterale esterna della piscina, per evitare che vi entri acqua.
- Scollegare la manichetta di aspirazione dalla presa dello skimmer dalla parte esterna della parete della piscina, allentando la staffa che la sostiene facendo attenzione, per non danneggiare il liner e sostenendo la manichetta perché non perda acqua e sommergerla immediatamente nella piscina perché non abbia al suo interno aria in eccesso.
- Ritirare la manichetta, tappando l'estremità affinché non entri aria, e sommergerla immediatamente nella piscina.
- Zavorrare all'esterno della manichetta di aspirazione della presa dello skimmer con un oggetto pesante che non danneggiare il liner, per forzare la sua immersione fino al fondo della piscina.
- Accendere la pompa e procedere allo svuotamento della piscina. Si ricordi che con l'aiuto dell'attrezzatura non si svuoterà totalmente la piscina, e quando la pompa non aspirerà più acqua bisognerà spegnerla.
- Se riempirà nuovamente la piscina di acqua, prima tolga attraverso lo scarico l'acqua restante senza danneggiare la piscina.

EVITARE CHE LA MANICHETTA CONTINUI AD ASPIRARE IL FONDO DEL LINER DELLA PISCINA, POTREBBE PREGIUDICARE SERIAMENTE LA POMPA FUNZIONANDO SENZA CIRCOLAZIONE DI ACQUA, O DANNEGGIARE IL LINER A CAUSA DELL'ASPIRAZIONE.

5.5 PULIZIA DEL FONDO DELLA PISCINA

Per la pulizia del fondo della piscina, si può utilizzare la pompa dell'attrezzatura con uno degli accessori seguenti:

- AR20637 o 08011 (necessario tubo di irrigazione del diametro di 32 mm) per le attrezzature FA6030 e FA6040.
- AR2064 (necessario tubo di irrigazione del diametro di 38 mm) per le attrezzature FA6050, FA6070, FA6080 e FA6100.

FS250 e FS300, FS300NP, FS400, FS400T e FS500

Per qualsiasi consulta relativa alle garanzie o al servizio di post-vendita, si metta in contatto con il suo venditore.

Una manichetta con una lunghezza maggiore del necessario per raggiungere ogni punto della piscina rende più difficile il suo uso. Tagli la parte della manichetta in eccesso. Controlli che i terminali di gomma non perdano la loro tenuta stagna.

Spurgare la manichetta pulisci-fondi:

Introdurre lentamente all'interno della piscina il pulisci-fondi con la pertica e la manichetta collegata, verticalmente, lasciando che si riempi di acqua, mantenendo il resto della manichetta fuori dall'acqua. Introduca lentamente la manichetta nell'acqua per tratti di 50 cm che devono restare sommersi mano a mano che si riempiono completamente di acqua, fino alla fine, quando tutta la manichetta sarà piena d'acqua e sommersa. Se la manichetta non è completamente spurgata, il pulisci-fondi non aspirerà e potremmo danneggiare il depuratore, facendolo lavorare a vuoto.

A seconda del modello di skimmer (vedi manuale specifico), procedere come segue:

5.5.2. Nel modello con skimmer da parete Piscine Dream Pool:

- Mettere all'interno dello skimmer l'accessorio tappo di aspirazione con la presa verso l'altro, senza estrarre il cesto.
- Spurgare la manichetta.
- Passare dall'INTERNO DELLA PISCINA all'estremità della manichetta per la chiusura dello skimmer e, facendo attenzione che non entri aria dentro, collegarla alla presa del tappo di aspirazione, sostenendolo in obliquo per facilitarne l'unione. Dopodiché allongarla orizzontalmente introducendo di più la manichetta. Attenzione a non danneggiare la chiusura dello skimmer in questa operazione.
- Il livello dell'acqua dello skimmer dev'essere al massimo e oltre l'unione tra il tappo e la manichetta per evitare l'ingresso di aria.
- Mettere in moto la pompa in posizione di filtraggio (FILTER) e procedere alla pulizia del fondo della piscina.

5.5.3. Nel modello con skimmer autoportante Piscine Magic Pool:

- Togliere l'anello superiore flottante dello skimmer ed estrarre il cesto prefiltro, mettere nella parte superiore dello skimmer l'accessorio tappo di aspirazione, con la presa verso l'alto e immergere lo skimmer all'interno della piscina, quanto basta affinché il tappo di aspirazione non riceva aria.
- Spurgare la manichetta.
- Facendo attenzione che non entri aria dentro, collegarla alla presa del tappo di aspirazione. L'unione della manichetta e del tappo dev'essere sempre sommersa per evitare l'ingresso di aria.
- Mettere in moto la pompa e procedere alla pulizia del fondo della piscina.

5.6 RISCIAQUO PER VALVOLE A 5 E 6 FUNZIONI: (FIG. 7)

Dopo aver realizzato un "LAVAGGIO" del filtro e aver posto l'installazione in posizione di "FILTRAGGIO", per alcuni secondi l'acqua affluisce alla piscina di color torbido. Per evitare che quest'acqua circoli nella piscina esiste questa opzione della valvola selettiva "RISCIAQUO". Operare come segue: Appena dopo il "LAVAGGIO" fermare la pompa, situare la valvola in posizione di "RISCIAQUO" (Fig. 7) e collegare la pompa per un minuto, trascorso questo tempo fermare la pompa e situare la valvola in posizione "FILTRAGGIO".

5.7 RICIRCOLAZIONE PER VALVOLE A 6 FUNZIONI

In questa posizione la valvola selettiva effettua il passaggio dell'acqua che arriva dalla pompa direttamente alla piscina, senza passare per l'interno del filtro (Fig. 7).

5.8 CHIUSURA

La posizione della valvola selettiva chiusa (CLOSED) si utilizza per evitare la circolazione di acqua attraverso le manichette e il filtro.

6 OSTITUZIONE DEL CAVO

Se il cavo di alimentazione è danneggiato, questo va sostituito dal fabbricante, dal suo servizio di assistenza dopo vendita o da personale qualificato, così da evitare pericoli.

7 MANUTENZIONE

Una volta conclusa la stagione dei bagni, si dovrà conservare l'attrezzatura in un luogo secco e protetto dalle intemperie. Per questo motivo e dopo aver fatto un autolavaggio finale per lasciare pulita la sabbia di silex, si smonteranno le manichette e si svuoterà totalmente dall'acqua il filtro attraverso il tappo di svuotamento del deposito.

Una volta espulsa tutta l'acqua dall'attrezzatura, pulire con attenzione il filetto dai residui di silex prima di rimettere il coperchio, poiché potrebbero rendere inservibile il filetto. Il tappo di svuotamento del deposito filtro va usato solamente per questa operazione.

MOLTO IMPORTANTE

Prima di accendere l'attrezzatura dopo un lungo periodo di inattività, assicurarsi che il filtro sia correttamente spurgato.

7.1 CURA DELLA POMPA

La pompa dell'attrezzatura è preparata per funzionare con una manutenzione minima. Alcuni elementi deperibili o sottoposti a logorio, possono avere una vita utile inferiore al periodo di garanzia dell'attrezzatura.

Per qualsiasi azione di manutenzione contatti il fabbricante della piscina o il suo servizio tecnico.

SOLUZIONE DI MALFUNZIONAMENTI E SERVIZIO TECNICO

Questa attrezzatura e le sue istruzioni sono progettate particolarmente per un utilizzo familiare, senza la necessità di un intervento professionale, salvo in casi eccezionali. Qui presentiamo i problemi e le cause che possono emergere con il passare degli anni di vita utile del filtro e che Lei stesso può risolvere. Per qualsiasi consulta relativa alle garanzie o al servizio di post-vendita, si metta in contatto con il suo venditore.

È obbligatorio cambiare nel più breve tempo possibile ogni elemento o l'insieme degli elementi deteriorati. Utilizzare solamente i pezzi approvati dal responsabile della commercializzazione.

Vietare l'accesso alla piscina nel caso di deterioramento del sistema o dei sistemi di filtraggio.

Ogni volta che deve manipolare l'attrezzatura o la valvola, la DISCONNETTA dalla presa di corrente.

PROBLEMA	CAUSA	SOLUZIONE
Perdita d'acqua.	Analizzi la causa della perdita d'acqua.	Assicurarsi che le staffe e i terminali siano posizionati e stretti correttamente. Se la perdita d'acqua continua, contattare il servizio di attenzione al cliente del fabbricante della piscina.
Appena accesa l'attrezzatura, non da portata nell'imboccatura di ritorno.	La valvola non è in posizione di filtraggio (filter). Il filtro è al di sopra del livello dell'acqua ed ha accumulato aria in eccesso. Il tappo di aspirazione o il tappo dello skimmer sono posti.	Scollegare il filtro e situare la valvola nella posizione corretta. Situare il filtro in una posizione corretta e spurgarla. Togliere il tappo di aspirazione o il tappo dello skimmer.
Funzionamento intermittente.	Basso livello di acqua nello skimmer. Il filtro ha accumulato aria in eccesso.	Riempire la piscina e spurgare il filtro. Procedere a spurgare il filtro.
L'attrezzatura ha poca portata.	A causa dell'uso il filtro è sporco. Il filtro ha accumulato aria in eccesso.	Effettuare un'autolavaggio. Procedere a spurgare il filtro.
Esce acqua dalla bocca del filtro.	La zona di unione tra la valvola e il filtro è sporca. La staffa è allentata.	Pulisci la sabbia dalla bocca, colluchi correttamente la giuntura nella valvola e prema con forza sulla staffa.
La valvola del filtro sgocciola dal terminale di scarico (WASTE).	Giuntura inferiore danneggiata dall'uso scorretto del prodotto chimico. Valvola della testina rotta per uso incorretto (pressione eccessiva).	Proceda al cambio del coperchio superiore della valvola. Non mettere il prodotto chimico nel cesto prefiltro dello skimmer, né nel filtro. Cambiare la valvola della testina, non premere eccessivamente.
Non si accende il motore. Non fa nessun rumore né vibrazione.	Manca corrente nella linea elettrica.	Verificare che ci sia corrente nella linea elettrica.
Non si accende il motore ma si sente un ronzio.	Guasto nel motore.	Si metta in contatto con il suo venditore.

ANLEITUNG MONOBLOC-FILTER

Gelieve deze informatie aandachtig te lezen en te bewaren als referentie.

Deze handleiding behandelt de filtratie groep die is (naam en referentie) beschreven in het bijgevoegde document "TECHNISCHE GEGEVENS"

- De elektrische installatie dient te voldoen aan onderstaande richtlijnen:

De Europese richtlijn 2006/95/CE.

De norm EN 60335-2-41, veiligheid van huishoudelijke en soortgelijke toestellen, bijzondere voorschriften voor pompen.

Alsook iedere andere toepasbare richtlijn omtrent "de aanleg van elektrische installaties in bijzondere situaties, zwembaden en fontein" of soortgelijke, van kracht in de regio of het land.

- De elektrische installatie dient te worden uitgevoerd door een bevoegd vakman in elektrische installaties. Dit toestel is niet bestemd voor personen met een fysieke, zintuiglijke of mentale invaliditeit of zonder ervaring, tenzij er controle of gebruiksinstructies werden opgegeven door een veiligheidsdeskundige.
- Het zand mag niet hoger reiken dan 2/3 van de hoogte van het reservoir.
- Het is absoluut noodzakelijk na te kijken of de zuigopeningen niet verstopt zijn.
- Controleer geregeld of de filter niet te vervuild is.
- Stel het toestel niet in werking wanneer gebruik wordt gemaakt van het zwembad.
- Stel het toestel buiten werking wanneer het niet correct is ontlucht.
- Raak het toestel in werking NOOIT aan met een nat lichaam of vochtige handen.
- VERBREEK steeds de verbinding met de stroom bij werken aan het toestel of aan de klep.
- Controleer of de grond droog is alvorens het toestel aan te raken.
- Plaats het toestel nooit ondergedompeld of waar het ondergedompeld kan raken.
- Laat kinderen of volwassenen niet steunen of plaatsnemen op het toestel. Kinderen moeten steeds vergezeld zijn van een volwassene, laat kinderen niet met het toestel spelen.
- Indien de alimantatiekabel stuk gaat, moet deze vervangen worden door de fabrikant of door een erkende installateur, om gevaren te voorkomen.
- Het is absoluut noodzakelijk om beschadigde elementen zo spoedig mogelijk te vervangen. Gebruik enkel onderdelen die door de verantwoordelijke verdeler erkend zijn.
- Het toestel moet worden aangesloten op een geaard netwerk met een wisselstroomspanning van 230 V en 50 Hz, en moet beschermd zijn door een differentieelchakelaar (RCD) met een residuele differentieelstroom van niet meer dan 30 mA of door een scheidingstransformator.
- Verbid de toegang tot het bad wanneer het filtermechanisme defect is.
- Bij het gebruik van chemische producten voor de behandeling van het bad, is het aanbevolen de filter een minimale duur in werking te stellen. De naleving van het sanitair reglement is belangrijk voor de gezondheid van de badgasten.

1 COMPONENTEN VERPAKKING

Het toestel dat u zopas heeft aangekocht werd speciaal bedacht en ontworpen voor opstaande zwembaden. Dit toestel met een vernieuwend ontwerp en tal van mogelijkheden biedt de verschillende functies aan die noodzakelijk zijn voor het zuiveren van het water: een filter, pomp en wisselklep in één toestel. De voornaamste componenten zijn:

FIG.	POS.	NAME
1	1A	Kleppen met 4 functies
1	1B	Kleppen met 5 functies
1	1C	Kleppen met 6 functies
1	2	Filterkast
1	3	Onderstel monobloc
1	4	Verbindingslang Kleppen-Pomp
1	5	Pomp

Bepaalde toebehoren voor het toestel (silexzand, slangen, manometers) worden niet geleverd bij alle monobloc-modellen.

VOORSCHRIFTEN VOOR EEN CORRECTE INSTALLATIE

Dankzij een eenvoudige montage kan dit toestel in ongeveer twee uur door een volwassen persoon worden gemonteerd. Let er evenwel op dat de instructies van deze gebruiksaanwijzing steeds nauwkeurig worden opgevolgd.

Om de onderdelen van het toestel correct te hanteren en een juiste installatie te waarborgen, is onderstaand gereedschap aanbevolen:

FUNCTIE	GEREEDSCHAP	ALTERNATIEF GEREEDSCHAP
De klemmen van de slangen aanspannen	Schroevendraaier stecker 7 mm	Schroevendraaier mondstuk Philips
De schroeven van de pomp aandraaien	Een steek- of pijpsleutel 13	Een steek- of pijpsleutel 13
Snijden in de bekleding	Cutter	mesje
Bescherming buis verzamelvat	Een stuk plastic	Een stuk stof

2 ALVORENS DE FILTER AAN TE SLUITEN PLAATS

Plaats het toestel op een vlakke en stevige ondergrond op minimaal 3,5 m van het zwembad (conform de installatienorm voor elektrische toestellen bij zwembaden van kracht in de regio of het land) en op gelijke hoogte met de bodem van het zwembad om te voorkomen dat er lucht in de filter binnendringt (Afb. 2). Het is aanbevolen het toestel afgeschermd te houden van de zon en de regen en voldoende ventilatieruimte vrij te laten wanneer het toestel is ingeschakeld. Dek het toestel nooit af wanneer het in werking is.

Bepaalde toestellen worden geleverd met een verbindingsslang van 4,5 m. Controleer steeds of deze lengte voldoende is om het toestel op een vlak en stevig oppervlak te plaatsen op minstens 3,5 m van het zwembad. Neem contact op met de technische dienst wanneer de slangen niet lang genoeg zijn.

Indien het toestel zonder slangen wordt geleverd, moeten slangen worden gebruikt die minstens 4,5 m lang zijn en die het mogelijk maken de filteruitrusting op een vlak en stevig oppervlak te plaatsen op minstens 3,5 m van het zwembad. Deze slangen kunnen worden verkregen als optioneel pakket bij uw verkooppunt.

Het is absoluut noodzakelijk na te kijken of de zuigopeningen niet verstopt zijn.

Neem, bij twijfels omtrent de installatie, contact op met uw verkooppunt.

MONTAGE

Volg, eenmaal het toestel is geplaatst, onderstaande aanwijzingen op:

- Maak de filter vast op de basis. Naargelang het model van de monoblock.
- Fixe a bomba pela base com os parafusos e anilhas fornecidos (Afb. 10).
- Bevestig het binnenste reservoir op de bodem van de filter (Afb. 9).
- Dek het mondstuk van het reservoir in de filter af met een beschermend plastic om te voorkomen dat er zand binnendringt (Afb. 4).
- Breng het zand in de filter: Het zand mag niet hoger reiken dan 2/3 van de hoogte van het reservoir. (Afb. 4)
Silex-zand heeft een onbepaalde levensduur en dient enkel te worden aangevuld bij zandverlies. Markeer het peil van het silex-zand als verder referentiepunt (Afb. 4).
- Verwijder de zandresten rond het mondstuk van de filter en neem het plastic beschermplaatje weg.
- Plaats de Wisselklep terug met de pakking en breng de klemband of de sluiting terug aan (Afb. 3).
- Draai de schroef van de klemband die de klep aan de filter bevestigt goed vast (Afb. 3).
- Sluit de overeenstemmende slangen aan op de (PUMP) en (RETURN)-uitgangen van de wisselklep en span deze goed aan met de klembanden. (Afb. 5)

OPMERKING: Controleer met de slangen of het mogelijk is de filteruitrusting op een vlak en stevig oppervlak te installeren op minstens 3,5 m van het zwembad.

- Sluit het andere uiteinde van de aanzuigslang aan op de skimmer en span goed aan met de klem. Sluit het andere uiteinde van de aandrijfslang aan op het mondstuk van de retourleiding.
- Eens het toestel is gemonteerd, moet de filter voor de eerste maal worden gewassen. Volg hiervoor de instructies van hoofdstuk 5.3 op.
- Het is absoluut noodzakelijk na te kijken of de zuigopeningen niet verstopt zijn.

3 ELEKTRISCHE AANSLUITING

De elektrische aansluiting dient te voldoen aan onderstaande richtlijnen:

De Europese Richtlijn 2006/95/EEG voor laagspanningstoestellen.

De norm EN 60335-2-41, veiligheid van huishoudelijke en soortgelijke toestellen, bijzondere voorschriften voor pompen.

Als ook iedere andere toepasbare richtlijn omtrent “de aanleg van elektrische installaties in bijzondere situaties, bij zwembaden en fonteinen”, of soortgelijke van kracht in de regio of het land.

Het toestel dient te worden aangesloten op een geaard netwerk met een wisselstroomspanning (bekijk de informatie op het gegevensplaatje van de pomp) en moet worden beschermd door een differentieelschakelaar (RCD) met een residuele differentieelstroom die niet hoger is dan 30 mA (niet bijgeleverd, verkrijgbaar in de speciaalzaak) of door een scheidingstransformator.

4 BOVENSTE WISSELKLEP

A- 4-wegklep van het filter regelt de selectie van de 4 verschillende functies van het filter: zuiveren (filter), reinigen (backwash), ledigen (waste) en sluiten (closed).

B- 5-wegklep van het filter regelt de selectie van de 5 verschillende functies van het filter: zuiveren (filter), reinigen (backwash), spoelen (rinse), ledigen (waste) en sluiten (closed).

C- 6-wegklep van het filter regelt de selectie van de 6 verschillende functies van het filter: zuiveren (filter), reinigen (backwash), recirculeren (recirculate), spoelen (rinse), ledigen (waste) en sluiten (closed).

Wijzig de positie van de klep met 4 functies als volgt: (Afb. 6)

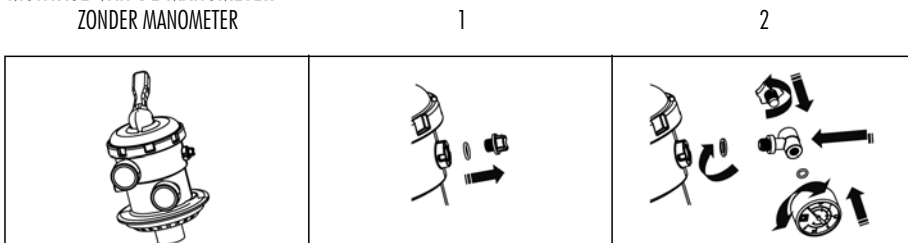
- Verbreek de verbinding met de stroom.
- Draai de bovenste driehoekige knop van de klep los totdat het deksel van de behuizing kan worden opgetild en kan draaien.
- Draai het deksel totdat de gewenste functie op één lijn komt met de aandrijfslang en het lipje in de behuizing valt.
- Draai de knop opnieuw vast, span echter niet te hard aan om te voorkomen dat de interne onderdelen van de klep worden beschadigd.

Wijzig de positie van de klep met 5 functies/6 functies als volgt: (Afb. 7)

- Verbreek de verbinding met de stroom.
- Druk stevig op de bovenste knop van de klep zodat het lipje vooraan uit de behuizing komt en de klep kan ronddraaien.
- Draai de knop lichtjes totdat het lipje vooraan op één lijn komt met de behuizing van de gewenste functie.
- Laat de knop zachtjes los en controleer of het lipje vooraan goed in de behuizing vastzit.

MONTAGE VAN DE MANOMETER

ZONDER MANOMETER



5 WERKING

De werking van dit toestel berust op de filtercapaciteit van het silex binnenin de filter. Het zwembadwater wordt aangezogen door de filterpomp en sijpelt door het silex-zand. Het zand werkt als een filter en de onzuiverheden blijven achter in het zand. De omgeving, de bomen, het pollen, de insecten en de frequentie van het zwembadgebruik bepalen o.a. de properheid van het zwembadwater. Deze factoren bepalen hoe vaak het silex-zand moet worden gereinigd (zie hoofdstuk 5.3). Controleer geregeld of de filter niet te vervuild is.

Gebruik voor een goede waterkwaliteit de chemische producten aanbevolen door de fabrikant (chloor, anti-algen, vlokmiddel, enz.).

HET CHEMISCHE MIDDEL MAG IN GEEN GEVAL IN DE KORF OF VIA DE FILTER WORDEN TOEGEVOEGD. DIT TAST HET MATERIAAL VAN HET TOESTEL AAN EN VERMINDERT DE EFFICIENTIE.

Bij het gebruik van chemische producten voor de behandeling van het bad, is het aanbevolen de filter een minimale duur in werking te stellen. De naleving van het sanitair reglement is belangrijk voor de gezondheid van de badgasten.

5.1 FILTER ONTLUCHTEN

Het is belangrijk dat de filter steeds op correcte wijze is ontlucht. Een niet-ontluchte filter heeft binnenin een luchtkamer die een slechte circulatie van het water tot gevolg heeft waardoor het water niet correct wordt gezuiverd en de motor wordt beschadigd. Er kan om verschillende redenen lucht in de filter zitten:

- inbedrijfstelling van een nieuw toestel;
- Inbedrijfstelling van een toestel dat gedurende een langere periode niet werd gebruikt;
- na het gebruik van een bodemzuiger;
- luchtabsorptie door de skimmer als gevolg van een laag waterpeil in het zwembad;
- na een onjuist gebruik van het toestel, zuigdop of skimmerdop.

Wanneer zit er lucht in de filter?

Er zit lucht in de filter wanneer we:

- het water in de filter horen vallen wat erop wijst dat er een luchtkamer werd gevormd tussen de wateraanvoer en het silex-zand;
- vaststellen dat de lucht via luchtbelletjes ontsnapt uit het mondstuk van de retourleiding;
- vaststellen dat de bodemzuiger (niet bijgeleverd) niet zuigt, terwijl het silex-zand na de reiniging proper is.

Hoe wordt de filter ontlucht?

- Controleer of de aanzuigslang op de skimmer is aangesloten en de doorgang is geopend (de dop zit er niet op);
- Plaats de klep in de stand zuiveren (FILTER), draai de aftapplug bij de manometer wat los zodat de lucht uit de filter kan ontsnappen.
- Draai de ontluichtingsmoer opnieuw dicht van zodra er enkel nog water naar buiten stroomt (na 1 tot 2 minuten).

5.2 ZUIVEREN

WERK NOOIT AAN DE KLEP WANNEER DE MOTOR IN WERKING IS

Reinig het zand alvorens te zuiveren (hoofdstuk 5.3).

Plaats de klep in de stand zuiveren (FILTER). Gebruik de filter niet langer dan 4 uur voor een optimale levensduur. De filterduur wordt bepaald door de verhouding tussen het volume van het zwembadwater (in m³) en het debiet van de filter (m³/h) bij een watertemperatuur van ongeveer 21°C en op 3,5 m van het zwembad. Laat de motor na een werkingsduur van 4 uur minstens 2 uur rusten.

$$\frac{\text{Volume zwembad in m}^3}{\text{Debiet filter in m}^3/\text{h}} = \text{nodige uren} \quad \text{Voorbeeld: } \frac{42 \text{ m}^3}{5,5 \text{ m}^3/\text{h}} = 7,63 \text{ uren}$$

2 cyclussen van 4 uur met een rustperiode van 2 uur.

In het begin dienen de opgegeven rustperiodes te worden nageleefd. Het is aanbevolen de filterduur op te drijven bij een hogere temperatuur van het zwembadwater.

5.3 FILTER REINIGEN

Via de functie automatisch reinigen wordt het silex-zand binnenin de filter gereinigd. Hiertoe dient de richting van de watercirculatie via de bovenste wisselklep te worden gewijzigd. Herhaal dit procédé geregeld en let op de verschillende factoren die aangegeven wanneer het zand vuil is:

- Wanneer een daling van het retourdebiet van meer dan 30% van het nominale debiet van de uitrusting wordt vastgesteld.
- Wanneer de manometer een te hoge druk aangeeft (raadpleeg maximale werkingsdruk vermeld in de documenten van de uitrusting).

Volg onderstaande stappen op om de filter te reinigen:

Voor de kleppen met 4 functies: (Afb. 6)

- Verbreek de verbinding met de stroom. Beweeg de wisselklep nooit wanneer de motor draait.
- Draai de bovenste driehoekige knop van de klep los totdat het deksel van de behuizing kan worden opgetild en kan draaien (Afb. 6). Plaats de klep in de stand automatisch reinigen (backwash), breng het deksel opnieuw op de behuizing en draai de knop aan. Draai deze echter niet te strak aan om te voorkomen dat de klep wordt beschadigd.
- Sluit een slang op de waterafvoer (waste) van de klep en breng het andere uiteinde van deze slang naar een afvoer of rioleding.
- Laat de filter ongeveer twee minuten werken (tot er geen onzuiverheden meer met het water meevloeien).
- Zet de filter uit en laat deze twee minuten rusten zodat het silex neerslaat en niet in het zwembad terecht komt.
- Stel de klep opnieuw in op de gewenste functie (zuiveren of sluitstand) (Afb. 6) en verwijder de slang van de waterafvoer.

Voor de kleppen met 5 en 6 functies: (Afb. 7 en Afb. 8)

- Verbreek de verbinding met de stroom. Beweeg de wisselklep nooit wanneer de motor draait.
- Druk op de bovenste knop van de klep zodat het voorste lipje uit de behuizing komt en de klep kan draaien (Afb. 7).
- Draai de knop langzaam zodat het voorste lipje op één lijn valt met de wasfunctie (backwash) (Afb. 7).
- Sluit een slang op de waterafvoer (waste) van de klep en breng het andere uiteinde van de slang naar een afvoer of rioleding.
- Laat de filter ongeveer 2 min werken totdat er geen onzuiverheden meer meevloeien met het water. Kleppen model Afb.8 Kijk hiervoor door het kijkvenster aan de zijkant.
- Schakel het toestel uit.
- Plaats de klep in de stand spoelen (rinse) en laat de filter enkele seconden werken (Afb. 7).
- Schakel het toestel uit, kies de gewenste functie van de filter (filter) (Afb. 7) en verwijder eventueel de slang van de waterafvoer (waste).

5.4 HET ZWEMBAD LEDIGEN

Dit toestel maakt het mogelijk het zwembad aan het einde van het seizoen bijna volledig leeg te laten lopen. Plaats hiervoor de bovenste wisselklep in de stand waterafvoer (waste) (Afb.6) (Afb. 7) en sluit, alvorens het toestel in werking te stellen, een slang op de waterafvoer (waste) van de klep en breng het andere uiteinde van de slang naar een waterafvoer of rioleding.

Naargelang het model van de skimmer (zie specifieke handleiding), als volgt te werk:

5.4.1. Bij model met wandskimmer voor (Dream Pool zwembaden):

- Verwijder de binnenkorf uit de skimmer en sluit de aanzuig af met de daartoe bijgeleverde dop.
- Koppel de aanzuigslang los van de skimmer door de klemband te lossen en hou de slang vast zodat het water niet kan wegvloeien en er geen lucht binnenkomt.
- Verwijder de slang, dek het uiteinde af zodat er geen lucht binnendringt en dompel deze onmiddellijk onder in het zwembad.
- Belast het uiteinde van de aanzuigslang met een zwaar voorwerp dat het zwembad niet beschadigt, zodat de slang naar de bodem van het zwembad zinkt.
- Schakel de pomp in en laat het zwembad leeglopen. Denk eraan dat de filter het zwembad niet volledig ledigt. Wanneer er nog maar enkele cm rest, zuigt de pomp niet meer en dient deze te worden uitgeschakeld.

- Indien het zwembad opnieuw met water wordt gevuld, verwijder dan eerst het resterende water met de hand zonder het zwembaddoek te beschadigen.
- Indien het zwembad wordt gedemonteerd, kan het zwembaddoek worden opgevouwen met het resterende water in het midden. Ontvouw, wanneer de wand is verwijderd, het zwembaddoek om het resterende water te laten wegvloeien. Voer deze handelingen enkel uit om het zwembad te demonteren.

5.4.2. Bij model met zelfdragende skimmer voor (Magic Pool zwembaden):

Naast de waterafvoer waarmee het zwembad is uitgerust, kan het zwembad ook worden geleidigd via het toestel:

- Til de zelfdragende skimmer op tot deze aan de buitenzijde van het zwembad hangt om te vermijden dat er water binnendringt.
- Koppel de aanzuigslang los van de skimmer via de buitenzijde van de zwembadwand door de klemband voorzichtig te lossen zonder hierbij het zwembaddoek te beschadigen. Hou de slang zo vast dat er geen water wegstroomt en er geen lucht binnenkomt.
- Verwijder de slang, dek het uiteinde af zodat er geen lucht binnendringt en dompel deze onmiddellijk onder in het zwembad.
- Belast het uiteinde van de aanzuigslang van de skimmer met een zwaar voorwerp dat het zwembad niet beschadigt zodat de slang naar de bodem van het zwembad zinkt.
- Schakel de pomp in en laat het zwembad leeglopen. Denk eraan dat de filter het zwembad niet volledig ledigt en dat wanneer de pomp geen water meer zuigt, de pomp moet worden uitgeschakeld.
- Indien het zwembad opnieuw wordt gevuld, verwijder dan eerst via de waterafvoer het resterende water zonder hierbij het zwembaddoek te beschadigen.

VERMIJD DAT DE SLANG ZICH VASTZUIGT OP DE BODEM VAN HET ZWEMBAD. INDIEN DE POMP DRAAIT ZONDER DAT HET WATER CIRCULEERT, KAN DIT ERNSTIGE SCHADE VEROORZAKEN AAN DE POMP OF AAN HET ZWEMBAD.

5.5 DE BODEM VAN HET ZWEMBAD REINIGEN

Voor de reiniging van de zwembadbodem kan de pomp van de uitrusting worden gebruikt in combinatie met een van de volgende toebehoren.

- AR20637 of 08011 (slang met een diameter van 32 mm vereist) voor de uitrustingen FA6030 en FA6040. FS250 en FS250NP
- AR2064 (slang met een diameter van 38 mm vereist) voor de uitrustingen FA6050, FA6070, FA6080 en FA6100.

FS300, FS300NP, FS400, FS400T en FS500

Contacteer uw verkooppunt voor meer info over de garantie of de klantendienst.

Een te lange slang bemoeilijkt het gebruik. Snijd de slang af op de gewenste lengte. Let erop dat de aansluitingen in rubber niet gaan lekken.

De slang van de bodemreiniger ontluchten:

Breng de bodemreiniger voorzichtig verticaal in het zwembad met de stok en slang, laat het toestel vollopen met water en hou de rest van de slang uit het water. Breng nadien de slang langzaam in het water (per stukken van 50 cm), dompel deze onmiddellijk onder en laat de slang vollopen met water tot deze volledig is ondergedompeld en met water is gevuld. Indien er lucht in de slang is, zal de bodemreiniger niet zuigen en kan de filter worden beschadigd.

Naargelang het model van de skimmer (zie specifieke handleiding), als volgt te werk:

5.5.2. Bij het model met wandskimmer (Dream Pool zwembaden):

- Plaats de aanzuigpomp (accessoire) met de inlaat naar boven gericht in de skimmer, zonder de korf te verwijderen.
- Ontlucht de slang.
- Sluit vanuit de BINNENKANT VAN HET ZWEMBAD, via de klep van de skimmer en zonder dat er lucht binnendringt, het uiteinde van de slang aan op de inlaat van de aanzuigpomp en houd deze schuin om de koppeling te vergemakkelijken. Schuif de slang op horizontale wijze verder. Zorg ervoor dat de klep van de skimmer niet wordt beschadigd.

- Het waterpeil in de skimmer moet zo hoog mogelijk zijn en boven de verbinding tussen de dop en de slang om te voorkomen dat er lucht binnendringt.
- Schakel de pomp in op de stand zuiveren (FILTER) en reinig de bodem van het zwembad.

5.5.3. Bij het model met zelfdragende skimmer (Magic Pool zwembaden):

- Verwijder de bovenste drijfring van de skimmer en plaats de aanzuigdop (accessoire) met de inlaat naar boven gericht in het bovenste deel van de skimmer zonder de voorfilterkorf te verwijderen. Dompel de skimmer voldoende diep onder in het zwembad zodat er geen lucht binnendringt in de aanzuigdop.
- Ontlucht de slang.
- Sluit de slang aan op de inlaat van de aanzuigdop zonder dat er lucht binnendringt. De verbinding van de slang met de dop moet steeds ondergedompeld zijn om te voorkomen dat er lucht binnendringt.
- Schakel de pomp in en reinig de bodem van het zwembad.

5.6 SPOELEN VOOR DE KLEPPEN MET 5 EN 6 FUNCTIES: (AFB. 7)

Nadat de filter werd gereinigd en het toestel opnieuw wordt ingesteld op "ZUIVEREN", vloeit gedurende enkele seconden troebel water in het zwembad. Stel de wisselklep in op de stand "SPOELEN" om dit te voorkomen.

Handel hierbij als volgt: Schakel onmiddellijk na het "ZUIVEREN" de pomp uit, stel de klep in op de stand "SPOELEN" (Afb. 7) en schakel de pomp gedurende 1 minuut in. Schakel de pomp daarna opnieuw uit en plaats de klep op de stand "ZUIVEREN".

5.7 RECIRCULATIE VOOR DE KLEPPEN MET 6 FUNCTIES

Wanneer de wisselklep op deze stand is ingesteld, vloeit het water van de pomp rechtstreeks terug naar het zwembad zonder dat het door het binnenste van de filter vloeit (Afb. 7).

5.8 SLUITSTAND

De sluitstand van de klep wordt gebruikt om te voorkomen (CLOSED) dat het water door de slangen en de filter circuleert .

6 HET SNOER VERVANGEN

Indien de alimentatiekabel stuk gaat, moet deze vervangen worden door de fabrikant of door een erkende installateur, om gevaren te voorkomen.

7 ONDERHOUD

Bewaar het toestel aan het einde van het seizoen op een droge plaats beschut tegen de weersomstandigheden.

Hiervoor dient het silex-zand een laatste maal automatisch gereinigd te worden, dienen de slangen te worden losgemaakt en moet al het water uit de filter worden verwijderd via de ledigingsdop van het reservoir.

Maak, eens al het water uit de filter is verwijderd, de schroefring schoon alvorens de dop terug te plaatsen om te voorkomen dat de schroefdop wordt beschadigd.

De ledigingsdop van de filter mag enkel voor deze toepassing worden gebruikt.

ZEER BELANGRIJK

Controleer of de filter goed is ontlucht alvorens het toestel na een lange periode opnieuw in werking te stellen.

7.1 ONDERHOUD VAN DE POMP

De filterpomp is in principe onderhoudsvrij. Bepaalde vervangbare en aan slijtage onderhevige onderdelen kunnen een kortere levensduur hebben dan de garantperiode van het toestel.

Neem voor hulp bij het onderhoud contact op met de fabrikant of technische dienst.

OPlossen van Storingen en Technische Dienst

Dit toestel en de aanwijzingen zijn speciaal ontworpen voor een huishoudelijk gebruik zodat dat de tussenkomst van een vakman enkel noodzakelijk is in uitzonderlijke gevallen. Hierna geven wij een overzicht van de problemen en de oorzaken die na verloop van tijd kunnen optreden en hoe deze verholpen kunnen worden. Contacteer uw verkooppunt voor meer info over de garantie of de klantendienst. Het is absoluut noodzakelijk om beschadigde elementen zo spoedig mogelijk te vervangen. Gebruik enkel onderdelen die door de verantwoordelijke verdeler erkend zijn.

Verbied de toegang tot het bad wanneer het filtermechanisme defect is.

VERBREEK STEEDS DE VERBINDING MET DE STROOM BIJ WERKEN AAN HET TOESTEL OF DE KLEP.

PROBLEEM	OORZAAK	OPLOSSING
Waterverlies	Ga de oorzaak van het waterverlies na	controleer of de klembanden en aansluitingen goed zitten en correct zijn aangesloten Indien het waterverlies aanhoudt, contacteer de klantendienst van de zwembadfabrikant.
Na het inschakelen van de filter is er geen doorstroming bij de retourleiding van de filter.	De klep staat niet in de stand ZUIVEREN (filter).	Schakel de filter uit en plaats de klep in de juiste stand.
	De filter bevindt zich boven het waterpeil en bevat lucht.	Plaats het toestel op een correcte hoogte en ontlucht de filter.
	De aanzuigdop of de skimmerdop zijn niet geopend.	Open de aanzuigdop of skimmerdop.
Haperende werking.	Laag waterpeil in de skimmer.	Laat het zwembad vollopen en ontlucht de filter.
	Er zit lucht in de filter.	Ontlucht de filter.
Lage doorstroom.	De filter is vuil door het gebruik.	Laat de filter automatisch reinigen.
	Er zit lucht in de filter.	Ontlucht de filter.
Er komt water uit het mondstuk van de filter.	De verbinding tussen de klep en de filter is vuil.	Maak het mondstuk schoon, plaats de pakking correct op de klem en span de klem strak aan.
	De klem zit los.	
De klep van de filter lekt bij de waterafvoer (WASTE).	De inwendige pakking is beschadigd door onjuist gebruik van een chemische product.	Vervang het bovenste deksel van de klep.
	De kop van de klep is defect door onjuist gebruik (te strak aangespannen).	Breng geen chemisch product aan in de korf van de voorfilter noch in de filter. Vervang de kop van de klep en span deze niet te strak aan.
De motor start niet. Hij maakt geen geluid en trilt niet.	Er is geen elektrische stroom.	Controleer of er elektrische stroom is.
De motor start niet maar maakt wel een zoem-geluid.	Motordefect.	Contacteer uw verkooppunt

INSTRUÇÕES FILTRO MONOBLOCO

Ler atentamente e guardar documentação para futura referência.

Este manual corresponde à unidade de filtração, conforme descrito (nome e referência) no documento anexo "CARACTERÍSTICAS TÉCNICAS"

- No que se refere à instalação eléctrica, dever-se-á seguir a norma

Directiva Europeia 206/95/CE de aparelhos de baixa tensão.

EN 60335-2-41, segurança em aparelhos electrodomésticos e análogos, requisitos particulares para bombas

Assim como as normas aplicáveis relativas "à construção de instalações eléctricas em locais especiais. Piscinas e fontes" ou a normas análogas, vigentes em cada região ou país.

- A instalação eléctrica deve ser realizada por profissionais qualificados em instalações eléctricas. Este aparelho não se destina a pessoas com capacidades físicas, sensoriais ou mentais reduzidas ou sem experiência, salvo se tiverem tido supervisão ou instruções acerca da sua utilização por um responsável de segurança.
- A altura da areia não deve ultrapassar os 2/3 da altura do depósito
- É obrigatório verificar que os orifícios de sucção não sejam obstruídos.
- Verificar regularmente o nível de contaminação do filtro.
- Não deixe o aparelho ligado quando estiver a utilizar a piscina.
- Não faça o aparelho funcionar sem estar correctamente purgado.
- NUNCA toque no aparelho em funcionamento com o corpo ou com as mãos húmidas.
- Quando tiver de manipular o aparelho ou a válvula, DESLIGUE-O da tomada.
- Assegure-se de que o chão está seco, antes de tocar no equipamento eléctrico.
- Não deixe o aparelho mergulhado ou onde possa ficar mergulhado.
- Não permita que crianças ou adultos se apoiem ou sentem no aparelho. As crianças devem ser mantidas sob vigilância.
- Se o cabo de alimentação estiver danificado, deve ser substituído pelo fabricante, pelo serviço pós-venda ou por pessoal qualificado semelhante com vista a evitar perigos.
- É obrigatório trocar o mais rapidamente possível qualquer elemento ou conjunto de elementos deteriorados. Utilizar apenas peças aprovadas pelo responsável da comercialização.
- O aparelho deve ser ligado a uma tomada de corrente alterna (ver dados na chapa de características da bomba), com ligação à terra, protegida com um interruptor diferencial (RCD) com uma corrente de funcionamento residual que não exceda os 30 mA ou por um transformador de isolamento.
- Impedir o acesso à piscina em caso de deterioração do/s sistema/s de filtração.
- Quando se usarem estes produtos químicos para tratar a água da piscina, recomenda-se respeitar um tempo mínimo de filtração, a fim de proteger a saúde dos banhistas, seguindo as normas de saúde.

1 COMPONENTES DA EMBALAGEM

O filtro que acaba de comprar é um aparelho especialmente concebido e desenhado para piscinas elevadas. Com um desenho inovador e uma grande funcionalidade, dispõe dos diferentes elementos necessários para filtrar a água: filtro, bomba e válvula selectora num só aparelho. Os principais componentes deste filtro são:

FIG.	POS.	NAME
1	1A	Válvula 4 funções
1	1B	Válvula 5 funções
1	1C	Válvula 6 funções
1	2	Filtro
1	3	Base monobloco
1	4	Mangueira válvula-bomba
1	5	Bomba

Existem alguns acessórios do equipamento (areia sílex, mangueiras, manómetros...) que não estão incluídos em todos os modelos de monoblocos.

PARA INSTALAR O APARELHO CORRECTAMENTE

Devido à facilidade de instalação, este aparelho pode ser montado por uma pessoa adulta em aproximadamente 2 horas, com a devida precaução de seguir rigorosamente as instruções descritas neste manual.

Para a manipulação correcta dos componentes do aparelho e a sua correcta instalação, são necessárias as seguintes ferramentas:

FUNÇÃO	FERRAMENTA	FERRAMENTA ALTERNATIVA
Apertar os flanges das mangueiras	Chave de parafusos stecker 7mm	Chave de parafusos Philips
Apertar os parafusos da bomba	Chave plana ou tubular 13	Chave plana ou tubular 13
Recortar o liner	X-acto	Lâmina
Protecção do tubo do colector	Pedaço de plástico	Pedaço de tecido

2 ANTES DE LIGAR O FILTRO INSTALAÇÃO

Coloque o aparelho sobre uma superfície plana e sólida, a uma distância não inferior a 3,5 metros da piscina (segundo a norma de instalação de aparelhos eléctricos em piscinas vigente em cada região ou país) e no mesmo nível do fundo da piscina, para evitar que entre ar no circuito de depuração e se forme uma câmara de ar no filtro (Fig. 2). É conveniente proteger o filtro do sol e da chuva e mantê-lo com uma ventilação suficiente. Nunca cubra o aparelho durante o seu funcionamento.

Nos aparelhos em que se fornecem as mangueiras de ligação com a piscina, estas têm um comprimento de 4,5 metros. Verificar em todos os casos que esse comprimento é suficiente para a colocação do aparelho numa superfície plana e sólida e situado a mais de 3,5 metros da piscina. No caso do comprimento das mangueiras não ser suficiente, contacte o seu serviço técnico. No caso de não se fornecerem as mangueiras com o aparelho, devem usar-se mangueiras com um comprimento mínimo de 4,5 metros que permitam a colocação do aparelho de filtração numa superfície plana e sólida e a mais de 3,5 metros da piscina. Esse conjunto de mangueiras existe como kit opcional no seu vendedor.

É obrigatório verificar que os orifícios de sucção não sejam obstruídos.

Em caso de dúvida durante o processo de instalação, contacte o vendedor do aparelho

MONTAGEM

Uma vez colocado o aparelho, proceda do seguinte modo:

- Fixe a bomba pela base. De acordo com o modelo de monobloco.
- Fixe a bomba pela base com os parafusos e anilhas fornecidos (Fig. 10).
- Coloque correctamente o colector interior no fundo do filtro (Fig. 9).
- Tape a boca do tubo do colector situado no interior do filtro com um plástico de protecção para evitar a entrada de areia (Fig.4).
- Introduza a areia no interior do filtro: A altura da areia não deve ultrapassar os 2/3 da altura do depósito (Fig. 4).
A areia de sílex tem uma duração ilimitada. Apenas deve ser reposta em caso de perda. Anote a referência do nível de areia de sílex para futuras reposições (Fig. 4).
- Elimine os restos de areia da boca do filtro e retire o plástico de protecção.
- Coloque a válvula selectora com a respectiva junta e coloque o anel ou fecho (Fig. 3).
- Aperte com força o parafuso do anel que prende a válvula ao filtro (Fig.3).
- Ligue os terminais de (PUMP) e (RETURN) da válvula selectora às mangueiras correspondentes, prendendo-as muito bem com as braçadeiras (Fig. 5).

NOTA:

Verifique se as mangueiras permitem a colocação e fixação do aparelho de filtração numa superfície plana e sólida e a mais de 3,5 metros da piscina.

- Ligue a outra extremidade da mangueira de aspiração ao skimmer apertando bem com uma braçadeira. Repita a mesma operação com o terminal da abertura de retorno e ligue a mangueira de impulsão.
- Uma vez instalado, deveremos efectuar um primeiro ciclo de auto-lavagem do filtro, para o que procederemos do modo descrito no ponto 5.3.
- É obrigatório verificar que os orifícios de sucção não sejam obstruídos.

3 LIGAÇÃO ELÉCTRICA

No que se refere à instalação eléctrica deverá seguir a norma:

Directiva Europeia 2006/95/CE de aparelhos de baixa tensão

EN 60335-2-41, segurança em aparelhos electrodomésticos e análogos, requisitos particulares para bombas

Assim como as normas aplicáveis relativas “à construção de instalações eléctricas em locais especiais. Piscinas e fontes” ou a normas análogas, vigentes em cada região ou país.

O aparelho deve ser ligado a uma tomada de corrente alterna (ver dados na chapa de características da bomba) com ligação à terra, protegida com um interruptor diferencial (RCD) com uma corrente de funcionamento residual que não exceda os 30 mA. (Não fornecido. Pode adquirir-se em estabelecimentos de electricidade.) ou por um transformador de isolamento.

4 VÁLVULA SELECTORA SUPERIOR

A- Para válvulas 4 funções: Através da válvula selectora superior do filtro seleccionamos as 4 diferentes funções do filtro: filtração (filter), lavagem (backwash), esvaziamento (waste) e fechado (closed).

B- Para válvulas 5 funções: Através da válvula selectora superior do filtro seleccionamos as 5 diferentes funções do filtro: filtração (filter), lavagem (backwash), Enxaguamento (rinse), esvaziamento (waste) e fechado (closed).

C- Para válvulas 6 funções: Através da válvula selectora superior do filtro seleccionamos as 6 diferentes funções do filtro: filtração (filter), lavagem (backwash), recirculação (recirculate), enxaguamento (rinse), esvaziamento (waste) e fechado (closed).

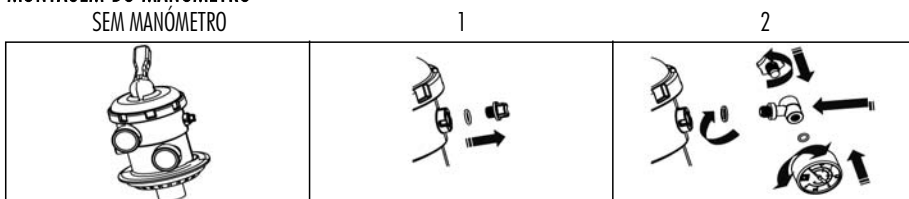
Para alterar a posição da válvula de 4 funções, deve fazer-se o seguinte: (Fig. 6)

- Desligue o aparelho da tomada.
- Desaperte a manete triangular superior da válvula girando-a até que a tampa se levante do seu alojamento para poder girá-la.
- Gire a tampa até que a operação desejada fique alinhada com a mangueira de retorno e o nervo fique encaixado no seu alojamento.
- Aperte novamente a manete, não excessivamente, pois os elementos internos da válvula poderiam ficar danificados

Para alterar a posição da válvula de 5 e 6 funções, deve fazer-se o seguinte: (Fig. 7)

- Desligue o aparelho da tomada.
- Pressione firmemente o comando superior da válvula desencaixando o nervo anterior do seu alojamento para poder girá-la.
- Gire suavemente o comando até alinhar o nervo anterior com o alojamento da operação desejada.
- Solte o comando devagar, verificando se o nervo anterior se encontra bem encaixado no seu alojamento.

MONTAGEM DO MANÓMETRO



5 FUNCIONAMENTO

O funcionamento deste aparelho baseia-se na capacidade de filtração da areia de sílex presente no seu interior. A água da piscina é impulsionada pela bomba do filtro e forçada a passar através da areia de sílex, ficando retidas as impurezas da água na areia que actua como elemento filtrante. O ambiente, árvores, pólen, insectos e frequência de banhos são, entre outros, factores que determinam a sujidade da água da piscina e, portanto, a frequência de limpeza da areia de sílex do filtro (ver ponto 5.3). Verificar regularmente o nível de contaminação do filtro.

Para manter a água da piscina em bom estado deverá utilizar também os produtos químicos recomendados pelo fabricante (cloro, anti-algas, floculante, etc.).

O PRODUTO QUÍMICO NUNCA DEVE SER COLOCADO NA CESTA OU ATRAVÉS DO FILTRO, JÁ QUE ISSO DETERIORARIA OS MATERIAIS DO APARELHO E LIMITARIA A SUA EFICÁCIA.

Quando se usarem estes produtos químicos para tratar a água da piscina, recomenda-se respeitar um tempo mínimo de filtração, a fim de proteger a saúde dos banhistas, seguindo as normas de saúde.

5.1 PURGA DO FILTRO

É imprescindível que o filtro esteja sempre correctamente purgado. Não estando purgado, significa que no seu interior se formou uma câmara de ar que provoca a circulação defeituosa da água, impedindo a correcta filtração da mesma pela areia de sílex e prejudicando o motor.

O filtro pode acumular ar por vários motivos:

- Pôr em funcionamento um aparelho novo.
- Pôr em funcionamento um aparelho após um longo período sem actividade.
- Após utilizar um limpador de fundos de aspiração.
- Absorção de ar pelo skimmer, devido a um nível baixo na água da piscina.
- Por uma incorrecta utilização do equipamento, da tampa de aspiração ou da tampa do skimmer.

Quando há uma acumulação de ar no filtro?

Detectaremos uma acumulação de ar no filtro quando se:

- Verificar que a água que entra no filtro emite um ruído de queda livre, o que nos indica a formação de uma câmara de ar entre a entrada da água e a areia de sílex.
- Verificar uma saída excessiva de bolhas de ar pela abertura de retorno.
- Verificar que o limpador de fundos (não fornecido) não aspira, estando a areia de sílex limpa após uma lavagem.

Como purgar o filtro?

- Assegure-se de que a mangueira de aspiração esteja ligada ao skimmer e à passagem aberta (sem a tampa).
- Com a válvula na posição de filtração (FILTER), despertar ligeiramente a tampa de purga que se encontra junto ao manómetro para deixar sair o ar acumulado dentro do filtro
- Quando observar que sai apenas água (entre 1 e 2 minutos), aperte novamente a porca de purga.

5.2 FILTRAÇÃO

NUNCA MANIPULE A VÁLVULA COM O MOTOR EM FUNCIONAMENTO.

Antes da filtração inicial, realize uma lavagem da areia (ponto 5.3).

A válvula deve estar na posição de filtração (FILTER). A vida útil do filtro pode ser prolongada com períodos de funcionamento contínuos não superiores a 4 h. A necessidade de filtração diária é dada pelo volume de m³ de água da sua piscina em relação aos m³/h do caudal do filtro para uma temperatura da água de 21° C aproximadamente e colocado a 3,5 m da sua piscina.

Deixe o motor descansar no mínimo 2 horas entre cada período de funcionamento de 4 horas.

$$\frac{\text{Volume piscina em m}^3}{\text{Caudal filtro em m}^3/\text{h}} = \text{Horas necessárias} \quad \text{Exemplo: } \frac{42 \text{ m}^3}{5,5 \text{ m}^3/\text{h}} = 7,63 \text{ horas}$$

2 ciclos de 4 horas com um ciclo intermédio de 2 horas de descanso

No tratamento inicial de filtração, devem ser respeitados os períodos de descanso indicados. Recomenda-se aumentar o tempo de filtração quanto mais elevada for a temperatura da água da sua piscina.

5.3 LAVAGEM DO FILTRO

Com o processo de auto-lavagem procedemos à limpeza da areia de sílex do interior do filtro, para o que se deve inverter o sentido de circulação da água através da válvula selectora superior. Este processo deve ser realizado regularmente, por isso deverá estar atento aos vários factores que determinam a sujidade da areia:

- Se se detectar uma redução do caudal de retorno de mais de 30% do caudal nominal do equipamento.
- Se o manómetro indica uma pressão excessiva (ver pressão máxima de trabalho indicada no manual de instruções fornecida com o dispositivo)

Para a lavagem da areia deveremos proceder do seguinte modo:

Para válvulas 4 funções: (Fig. 6)

- Desligue o aparelho da tomada. Nunca mova a válvula selectora com o motor em funcionamento.
- Desaperte a manete triangular superior da válvula, girando-a até que a tampa se levante do seu alojamento para poder girá-la (Fig. 6). Coloque a válvula na posição de auto-lavagem (backwash), encaixando novamente a tampa no seu alojamento girando a manete, não excessivamente, já que a válvula poderia ficar danificada.
- Ligue a mangueira na saída de esvaziamento (waste) da válvula e dirija a outra extremidade da mangueira para um desaguadouro ou esgoto.
- Faça o filtro funcionar durante 2 min. aproximadamente (até que já não saiam impurezas com a água).
- Pare o filtro e deixe-o descansar durante 2 min. para permitir o assentamento do sílex e evitar que seja expelido para a piscina.
- Coloque a válvula novamente na posição desejada (filtração ou fechado) e retire a mangueira da saída de esvaziamento.

Para válvulas 5 e 6 funções: (Fig. 7 e Fig. 8)

- Desligue o aparelho da tomada. Nunca mova a válvula selectora com o motor em funcionamento.
- Pressione firmemente o comando superior da válvula desencaixando o nervo anterior do seu alojamento para poder girá-la (Fig. 7)
- Gire suavemente o comando até alinhar o nervo anterior com o alojamento da operação de lavagem (backwash) (Fig. 7).
- Ligue a mangueira na saída de esvaziamento (waste) da válvula e dirija a outra extremidade da mangueira para um desaguadouro ou esgoto.
- Faça o filtro funcionar durante 2 min. aproximadamente, até que já não saiam impurezas com a água. Nos modelos de válvula Fig. 8 se pode observar pelo visor transparente na lateral.
- Pare o aparelho.
- Coloque a válvula na posição de enxaguamento (rinse) e ligue o filtro durante uns segundos (Fig. 7).
- Pare o aparelho, passe à posição desejada de filtração (filter) (Fig. 7) e retire a mangueira da posição de esvaziamento (waste), se o desejar.

5.4 ESVAZIAMENTO DA PISCINA

O aparelho permite o esvaziamento quase total da piscina uma vez terminada a temporada de banhos. Para isso, deverá colocar a válvula selectora superior na posição de esvaziamento (waste) (Fig. 6) (Fig. 7), sem ligar o filtro, ligando a mangueira na saída livre da válvula selectora para dirigir a água até ao desaguadouro ou esgoto.

De acordo com o modelo de skimmer (ver manual específico), proceda da seguinte forma:

5.4.1. No modelo com skimmer de parede para Piscinas Dream Pool:

- Retire a cesta interior do skimmer e tape a aspiração com a tampa fornecida para esse fim.
- Desligue a mangueira de aspiração da tomada do skimmer, afrouxando a braçadeira que a prende e segurando a mangueira para que não perca a água e não acumule ar.
- Retire a mangueira, tapando a extremidade para não acumular ar e mergulhe-a imediatamente na piscina.
- Lastre a extremidade da mangueira de aspiração com um objecto pesado que não possa danificar o liner, para forçar a sua imersão até ao fundo da piscina.
- Ligue o aparelho e proceda ao esvaziamento da piscina. Lembre-se que com a ajuda do aparelho a piscina não se esvaziará totalmente. Quando restarem alguns centímetros de água e a bomba já não aspirar água, deverá desligá-la.
- Se quiser encher novamente a piscina com água, antes retire manualmente a restante água sem danificar o liner.
- Se quiser desmontar a piscina pode dobrar a bolsa com a restante água no centro e depois de retirar a chapa, desdobre a bolsa para esvaziá-lo completamente. Esta operação só deve ser efectuada para desmontar a piscina.

5.4.2. No modelo com skimmer autoportante para Piscinas Magic Pool:

Para além do desaguadouro que a piscina incorpora, poderá utilizar um dreno para esvaziá-la:

- Levante o skimmer autoportante até deixá-lo dependurado no lado exterior da piscina, para evitar que a água entre nele.
- Desligue a mangueira de aspiração da tomada do skimmer pela parte exterior da parede da piscina, afrouxando a braçadeira que a prende com cuidado para não danificar o liner e segurando a mangueira para que não perca a água e não acumule ar.
- Retire a mangueira, tapando a extremidade para não acumular ar e mergulhe-a imediatamente na piscina.
- Lastre a extremidade da mangueira de aspiração da tomada do skimmer com um objecto pesado que não possa danificar o liner, para forçar a sua imersão até ao fundo da piscina.
- Ligue a bomba e proceda ao esvaziamento da piscina. Lembre-se que com a ajuda do aparelho a piscina não se esvaziará totalmente, e quando a bomba já não aspirar água, deverá desligá-la.
- Se quiser encher novamente a piscina de água, escoe a restante água num desaguadouro sem danificar a piscina.

EVITE QUE A MANGUEIRA ASPIRE O FUNDO DO LINER DA PISCINA, POIS PODERIA PREJUDICAR SERIAMENTE A BOMBA AO FUNCIONAR SEM CIRCULAÇÃO DE ÁGUA OU DANIFICAR O LINER POR SUÇÃO.

5.5 LIMPEZA DO FUNDO DA PISCINA

Para limpar o fundo da piscina, pode aproveitar a bomba do equipamento, com um dos seguintes acessórios:

- AR20637 ou 08011 (precisa de mangueira com diâmetro 32 mm) para os equipamentos FA6030 e FA6040.^{FS250 e FS250NP}
- O AR2064 (precisa de mangueira com diâmetro 38 mm) para os equipamentos FA6050, FA6070, FA6080 e FA6100.
^{FS300, FS300NP, FS400, FS400T e FS500}

Para qualquer consulta relativa a garantias ou ao serviço pós-venda, contacte o seu vendedor.

Um mangueira com um comprimento superior ao necessário para chegar a todos os pontos da piscina dificulta a operação. Corte o pedaço de mangueira que sobrar. Assegure-se de que os terminais de borracha não perdem a sua estanqueidade.

Purga da mangueira do limpador de fundos:

Introduza com cuidado o limpador de fundos no interior da piscina com a vara e a mangueira ligadas verticalmente, deixando que se encha de água e mantenha o resto da mangueira fora da água. Introduza a mangueira na água devagar, por partes de 50 cm que devem ficar mergulhadas ao mesmo tempo que se enchem completamente de água, até que a mangueira fique toda cheia de água e mergulhada. Se a mangueira não estiver totalmente purgada, o limpador de fundos não aspirará e poderemos danificar o dreno fazendo-o trabalhar em vácuo.

De acordo com o modelo de skimmer (ver manual específico), proceda da seguinte forma:

5.5.1. No modelo com skimmer de parede para Piscinas Dream Pool:

- Colocar o acessório da tampa de aspiração no interior do skimmer com a tomada para cima, sem retirar o cesto.
- Purgar a mangueira.
- Passar desde O INTERIOR DA PISCINA a extremidade da mangueira pela comporta do skimmer tendo cuidado para não entrar ar dentro da mesma, ligá-la à tomada da tampa de aspiração, segurando-a obliquamente para facilitar a junção. Depois metê-la horizontalmente introduzindo mais a mangueira. Atenção para não danificar a comporta do skimmer nesta operação.
- O nível da água do skimmer deve estar no máximo e acima da junção entre a tampa e a mangueira, de modo a evitar a entrada de ar.
- Pôr a bomba a funcionar na posição de filtragem (FILTER) e proceder à limpeza do fundo da piscina.

5.5.2. No modelo com skimmer autoportante para Piscinas Magic Pool:

- Retirar o anel superior flutuante do skimmer e, sem retirar o cesto pré-filtro, colocar na parte superior do skimmer o acessório da tampa de aspiração com a tomada virada para cima e mergulhar o skimmer dentro da piscina o suficiente para que a tampa de aspiração não apanhe ar.
- Purgar a mangueira.
- Tendo cuidado para não entrar ar dentro dela, ligá-la à tomada da tampa de aspiração. A junção da mangueira e da tampa deve estar sempre mergulhada para evitar a entrada de ar.
- Pôr a bomba a funcionar e proceder à limpeza do fundo da piscina.

5.6 ENXAGUAMENTO PARA VÁLVULAS 5 E 6 FUNÇÕES: (FIG. 7)

Após a "LAVAGEM" do filtro e de se colocar a instalação na posição de "FILTRAÇÃO", durante uns segundos a água aflui à piscina numa cor turva. Para evitar que esta água turva circule na piscina, existe a posição da válvula selectora "ENXAGUAMENTO".

Actue da seguinte forma: imediatamente após a "LAVAGEM", pare a bomba, coloque a válvula na posição de "ENXAGUAMENTO" (Fig. 7) e ligue a bomba durante 1 minuto, após o que deve parar a bomba e colocar a válvula em "FILTRAÇÃO".

5.7 RECIRCULAÇÃO PARA VÁLVULAS 6 FUNÇÕES

Nesta posição, a válvula selectora efectua a passagem da água proveniente da bomba directamente para a piscina, sem passar pelo interior do filtro (Fig. 7).

5.8 FECHADO

Utiliza-se a posição da válvula selectora fechado (CLOSED) para evitar a circulação da água através das mangueiras e do filtro.

6 SUBSTITUIÇÃO DO CABO

Se o cabo de alimentação estiver danificado, deve ser substituído pelo fabricante, pelo serviço pós-venda ou por pessoal qualificado semelhante com vista a evitar perigos.

7 MANUTENÇÃO

Uma vez terminada a temporada de banhos, dever-se-á guardar o filtro num lugar seco e protegido das intempéries. Por esse motivo e após efectuar uma auto-lavagem final para limpar a areia de sílex, desmonte as mangueiras e esvazie totalmente a água do filtro através da tampa de esvaziamento do depósito.

Uma vez escoada toda a água do filtro, limpe cuidadosamente os resíduos de areia de sílex da rosca antes de colocar novamente a tampa, já que a rosca poderia ficar inutilizada. A tampa de esvaziamento do depósito do filtro apenas deve ser usada nesta operação.

MUITO IMPORTANTE: Antes de colocar o aparelho em funcionamento após um longo período sem actividade, assegure-se de que o filtro está devidamente purgado.

CUIDADOS DA BOMBA

A bomba do aparelho está preparada para funcionar com uma manutenção mínima. Alguns elementos fúngicos ou submetidos a desgaste podem ter uma vida útil inferior ao período de garantia do aparelho.

Para qualquer operação de manutenção, contacte o fabricante da piscina ou o serviço técnico.

RESOLUÇÃO DE AVARIAS E SERVIÇO TÉCNICO

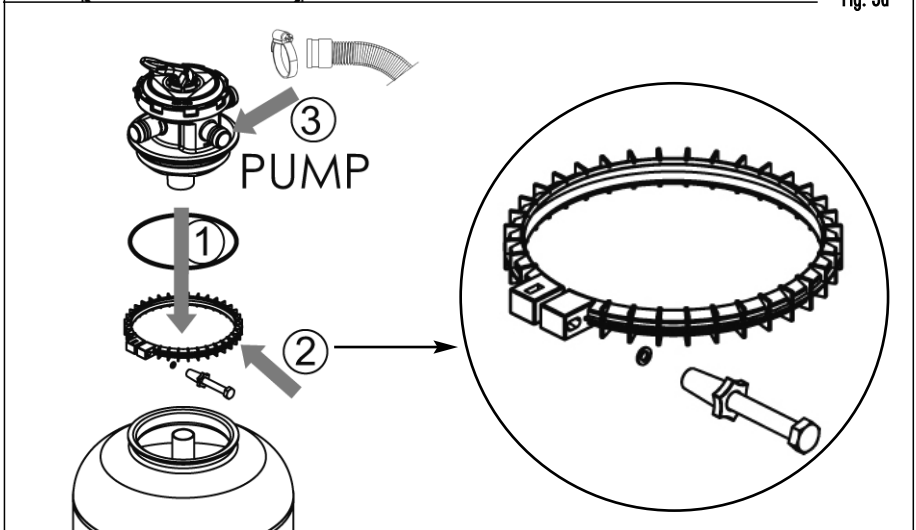
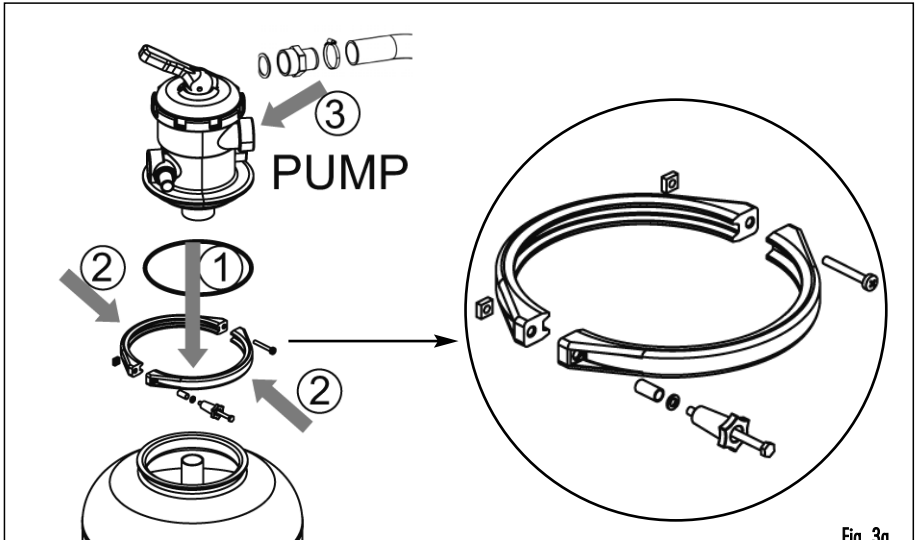
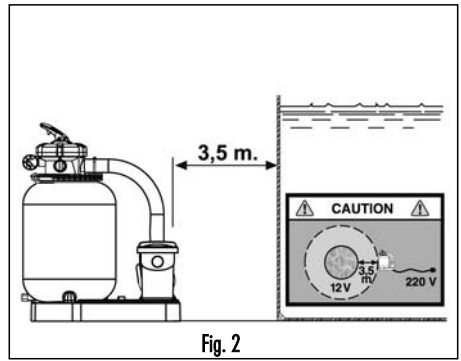
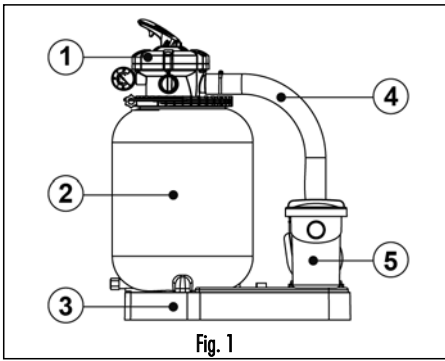
Este aparelho e as suas instruções foram especialmente desenhados para uma utilização familiar, sem necessidade de uma intervenção profissional, salvo em casos especiais. Apresentamos abaixo os problemas e as causas que podem surgir com a passagem do tempo de vida útil do filtro e que poderá solucionar. Para qualquer consulta relativa a garantias ou ao serviço pós-venda, contacte o seu vendedor.

É obrigatório trocar o mais rapidamente possível qualquer elemento ou conjunto de elementos deteriorados. Utilizar apenas peças aprovadas pelo responsável da comercialização.

Impedir o acesso à piscina em caso de deterioração do/s sistema/s de filtragem.

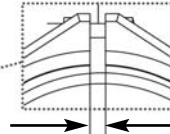
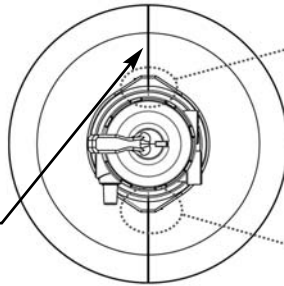
Quando tiver de manipular o aparelho ou a válvula, DESLIGUE-O da tomada.

PROBLEMA	CAUSA	SOLUÇÃO
Perda de água.	Analise a causa da perda de água.	Certificar-se de que as braçadeiras e terminais estão correctamente posicionadas e apertadas. Se a fuga de água persistir, contacte o serviço pós-venda do fabricante da piscina.
Uma vez ligado o filtro, não há caudal na abertura de retorno.	A válvula não está na posição de filtração (filter).	Desligue o filtro e coloque a válvula na posição correcta.
	O aparelho está acima do nível da água com ar acumulado.	Coloque o filtro numa posição correcta e purgue-o.
	A tampa de aspiração ou o tampão do skimmer estão colocados.	Retire a tampa de aspiração ou a tampa do skimmer.
Funcionamento intermitente.	Nível da água no skimmer baixo.	Encha a piscina e purgue o filtro.
	O filtro acumula ar.	Proceda à purga do filtro.
O aparelho tem pouco caudal.	Devido ao uso o filtro está sujo.	Efectue uma auto-lavagem.
	O filtro acumula ar.	Proceda à purga do filtro.
Sai água pela boca do aparelho.	A zona de união entre a válvula e o filtro está suja.	Limpe a areia da boca, coloque correctamente a junta na válvula e aperte o anel com força.
	O anel está frouxo.	
A válvula do filtro goteja pelo terminal de esvaziamento (WASTE).	Junta interior danificada pelo uso incorrecto do produto químico.	Substitua a tampa superior da válvula. Não coloque o produto químico na cesta pré-filtro do skimmer.
	Válvula cabeçote danificada por uso incorrecto (aperto excessivo).	Substitua a válvula cabeçote, não aperte excessivamente.
O motor não arranca. Não faz nenhum ruído ou vibração.	Falta corrente na linha eléctrica.	Verifique se há corrente na linha eléctrica.
O motor não arranca, mas ouve-se um zumbido.	Falha no motor.	Contacte o seu vendedor.



OK

PLACE THE CLAMP FOLLOWING THE FILTER TANK LINE



Keep the same distance when tightening the screws

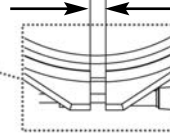
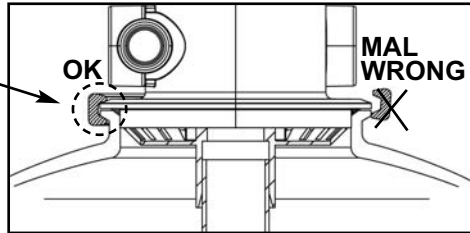
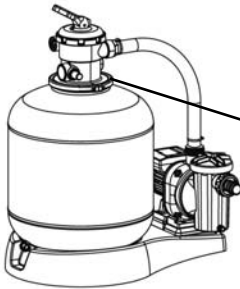
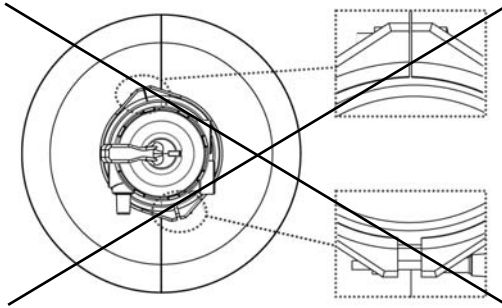


Fig. 3b

WRONG



ZUNCHO / CLAMP / COLLIER

Fig. 3c

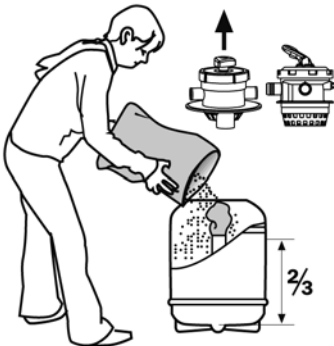


Fig. 4

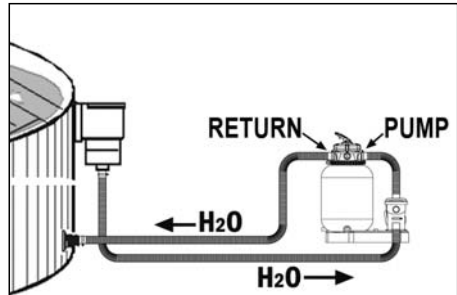


Fig. 5

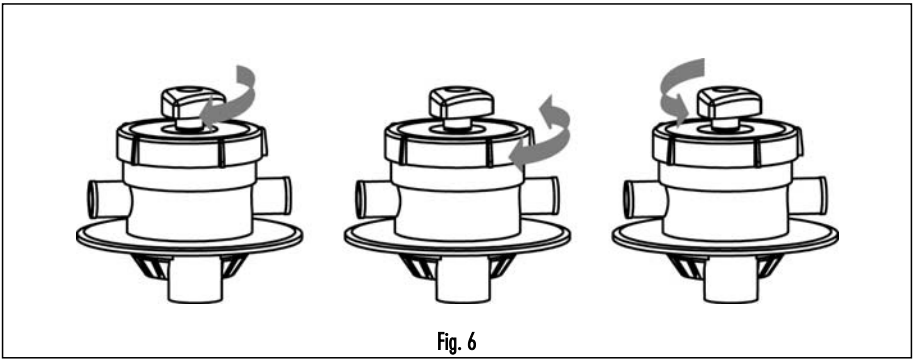


Fig. 6

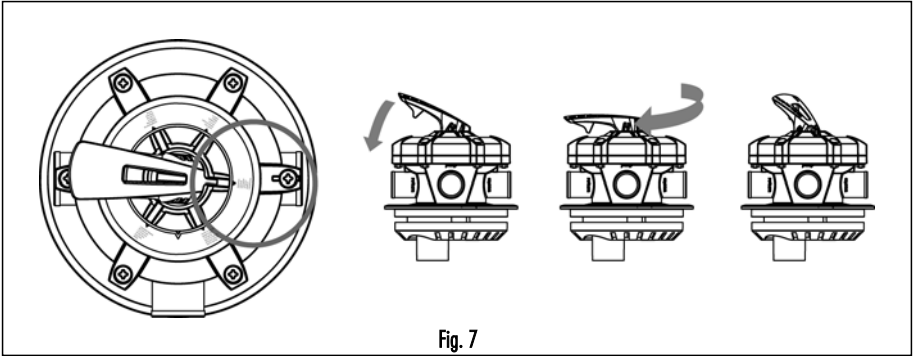


Fig. 7

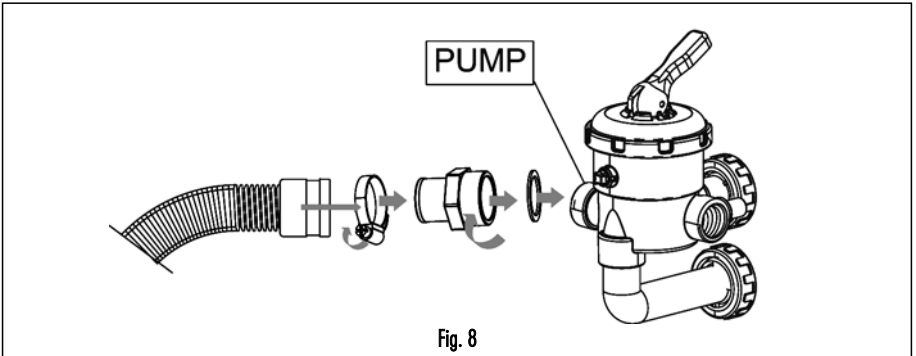


Fig. 8

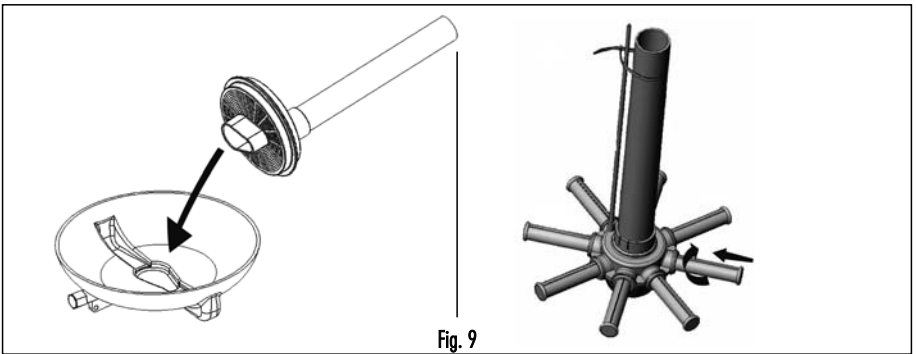


Fig. 9

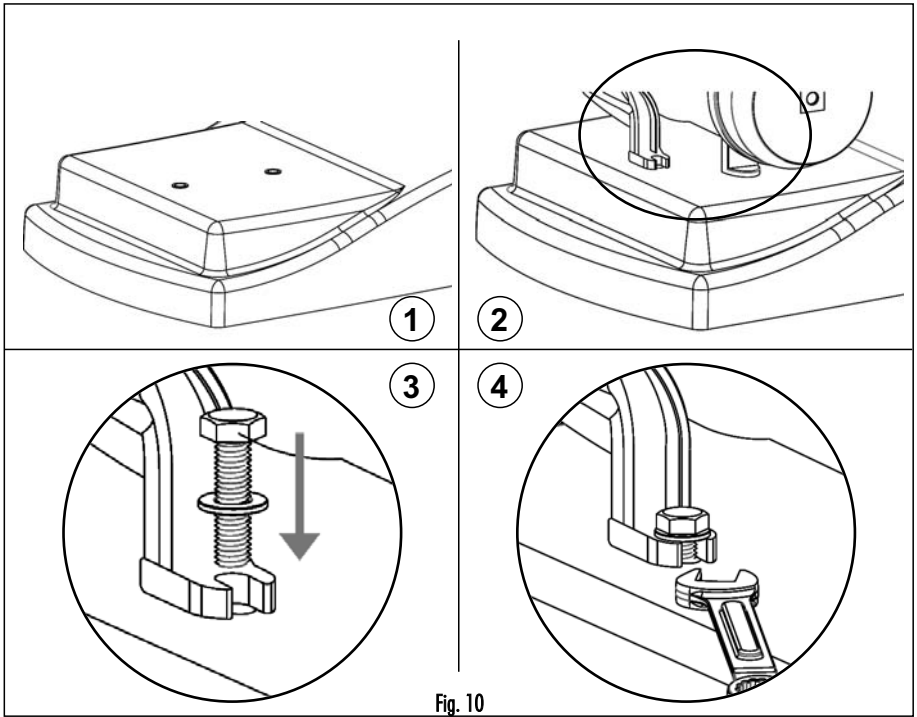


Fig. 10

GUARANTEE CERTIFICATE

1 GENERAL TERMS

- 1.1 In accordance with these provisions, the seller guarantees that the product corresponding to this guarantee ("the Product") is in perfect condition at the time of delivery.
- 1.2 The Guarantee Term for the Product is two (2) years from the time it is delivered to the purchaser.
- 1.3 In the event of any defect in the Product that is notified by the purchaser to the seller during the Guarantee Term, the seller will be obliged to repair or replace the Product, at his own cost and wherever he deems suitable, unless this is impossible or unreasonable.
- 1.4 If it is not possible to repair or replace the Product, the purchaser may ask for a proportional reduction in the price or, if the defect is sufficiently significant, the termination of the sales contract.
- 1.5 The replaced or repaired parts under this guarantee, will not extend the guarantee period of the original Product, but will have a separate guarantee.
- 1.6 In order for this guarantee to come into effect, the purchaser must provide proof of the date of purchase and delivery of the Product.
- 1.7 If, after six months from the delivery of the Product to the purchaser, he notifies a defect in the Product, the purchaser must provide proof of the origin and existence of the alleged defect.
- 1.8 This Guarantee Certificate is issued without prejudice to the rights corresponding to consumers under national regulations.

2 INDIVIDUAL TERMS

- 2.1 This guarantee covers the products referred to in this manual.
- 2.2 This Guarantee Certificate will only be applicable in European Union countries.
- 2.3 For this guarantee to be effective, the purchaser must strictly follow the Manufacturer's instructions included in the documentation provided with the Product, in cases where it is applicable according to the range and model of the Product.
- 2.4 When a time schedule is specified for the replacement, maintenance or cleaning of certain parts or components of the Product, the guarantee will only be valid if this time schedule has been followed.

3 LIMITATIONS

- 3.1 This guarantee will only be applicable to sales made to consumers, understanding by "consumer", a person who purchases the Product for purposes not related to his professional activities.
- 3.2 The normal wear resulting from using the product is not guaranteed. With respect to expendable or consumable parts, components and/or materials, such as batteries, light bulbs, etc. the stipulations in the documentation provided with the Product, will apply.
- 3.3 The guarantee does not cover those cases when the Product: (I) has been handled incorrectly; (II) has been repaired, serviced or handled by non-authorized people or (III) has been repaired or serviced not using original parts.
In cases where the defect of the Product is a result of incorrect installation or start-up, this guarantee will only apply when said installation or start-up is included in the sales contract of the Product and has been conducted by the seller or under his responsibility.

CERTIFICADO DE GARANTÍA

1 ASPECTOS GENERALES

- 1.1 De acuerdo con estas disposiciones, el vendedor garantiza que el producto correspondiente a esta garantía ("el Producto") no presenta ninguna falta de conformidad en el momento de su entrega.
- 1.2 El Período de Garantía para el Producto es de dos (2) años y se calculará desde el momento de su entrega al comprador.
- 1.3 Si se produjera una falta de conformidad del Producto y el comprador lo notificase al vendedor durante el Período de Garantía, el vendedor deberá reparar o sustituir el Producto a su propio coste en el lugar donde considere oportuno, salvo que ello sea imposible o desproporcionado.
- 1.4 Cuando no se pueda reparar o sustituir el Producto, el comprador podrá solicitar una reducción proporcional del precio o, si la falta de conformidad es suficientemente importante, la resolución del contrato de venta.
- 1.5 Las partes sustituidas o reparadas en virtud de esta garantía no ampliarán el plazo de la garantía del Producto original, si bien dispondrán de su propia garantía.
- 1.6 Para la efectividad de la presente garantía, el comprador deberá acreditar la fecha de adquisición y entrega del Producto.
- 1.7 Cuando hayan transcurrido más de seis meses desde la entrega del Producto al comprador y éste alegue falta de conformidad de aquél, el comprador deberá acreditar el origen y la existencia del defecto alegado.
- 1.8 El presente Certificado de Garantía no limita o prejuzga los derechos que correspondan a los consumidores en virtud de normas nacionales de carácter imperativo.

2 CONDICIONES PARTICULARES

- 2.1 La presente garantía cubre los productos a que hace referencia este manual.
- 2.2 El presente Certificado de Garantía será de aplicación únicamente en los países de la Unión Europea.
- 2.3 Para la eficacia de esta garantía, el comprador deberá seguir estrictamente las indicaciones del Fabricante incluidas en la documentación que acompaña al Producto, cuando ésta resulte aplicable según la gama y modelo del Producto.
- 2.4 Cuando se especifique un calendario para la sustitución, mantenimiento o limpieza de ciertas piezas o componentes del Producto, la garantía sólo será válida cuando se haya seguido dicho calendario correctamente.

3 LIMITACIONES

- 3.1 La presente garantía únicamente será de aplicación en aquellas ventas realizadas a consumidores, entendiéndose por "consumidor", aquella persona que adquiere el Producto con fines que no entran en el ámbito de su actividad profesional.
- 3.2 No se otorga ninguna garantía respecto del normal desgaste por uso del producto. En relación con las piezas, componentes y/o materiales fungibles o consumibles como pilas, bombillas etc., se estará a lo dispuesto en la documentación que acompaña al Producto, en su caso.
- 3.3 La garantía no cubre aquellos casos en que el Producto: (I) haya sido objeto de un trato incorrecto; (II) haya sido reparado, mantenido o manipulado por persona no autorizada o (III) haya sido reparado o mantenido con piezas no originales.
Cuando la falta de conformidad del Producto sea consecuencia de una incorrecta instalación o puesta en marcha, la presente garantía sólo responderá cuando dicha instalación o puesta en marcha esté incluida en el contrato de compra-venta del Producto y haya sido realizada por el vendedor o bajo su responsabilidad.

CERTIFICAT DE GARANTIE

1 ASPECTS GÉNÉRAUX

- 1.1 Conformément à ces dispositions, le vendeur garantit que le produit correspondant à cette garantie ("le Produit") ne présente aucun défaut de conformité à la date de sa livraison.
- 1.2 La Période de Garantie pour le Produit est de deux (2) ans et elle sera calculée à partir du moment de sa remise à l'acheteur.
- 1.3 S'il se produisait un défaut de conformité du Produit et si l'acheteur le notifiait au vendeur pendant la Période de Garantie, le vendeur devrait réparer ou remplacer le Produit à ses propres frais à l'endroit qu'il jugerait opportun, à moins que cela soit impossible ou disproportionné.
- 1.4 Lorsque le Produit ne pourra être ni réparé ni remplacé, l'acheteur pourra demander une réduction proportionnelle du prix ou, si le défaut de conformité est suffisamment important, la résolution du contrat de vente.
- 1.5 Les parties remplacées ou réparées en vertu de cette garantie n'élargiront pas le délai de la garantie du Produit original, celles-ci étant cependant couvertes par leur propre garantie.
- 1.6 Pour l'effectivité de la présente garantie, l'acheteur devra justifier la date d'acquisition et de remise du Produit.

- 1.7 Quand plus de six mois se seront écoulés depuis la remise du Produit à l'acheteur et que ce dernier alléguera un défaut de conformité de ce Produit, l'acheteur devra justifier l'origine et l'existence du défaut allégué.
- 1.8 Le présent Certificat de Garantie ne limite pas, ni préjuge les droits correspondant aux consommateurs en vertu des normes nationales de nature impérative.

2 CONDITIONS PARTICULIÈRES

- 2.1 La présente garantie couvre les produits auxquels ce manuel fait référence.
- 2.2 Le présent Certificat de Garantie ne sera applicable que dans les pays de l'Union européenne.
- 2.3 En vue de l'efficacité de cette garantie, l'acheteur devra suivre strictement les indications du Fabricant comprises dans la documentation qui est jointe au Produit, quand celle-ci sera applicable selon la gamme et le modèle du Produit.
- 2.4 Quand un calendrier sera spécifié pour le remplacement, la maintenance ou le nettoyage de certaines pièces ou de certains composants du Produit, la garantie sera valable uniquement lorsque ledit calendrier aura été suivi correctement.

3 LIMITATIONS

- 3.1 La présente garantie ne sera applicable que dans les ventes réalisées aux consommateurs, considérant comme "consommateur", toute personne qui achète le Produit à des fins qui n'entrent pas dans le cadre de son activité professionnelle.
- 3.2 Aucune garantie n'est concédée quant à l'usure normale due à l'utilisation du produit. En ce qui concerne les pièces, composants et/ou matériels fongibles ou consommables comme les piles, les ampoules, etc., il faudra respecter, le cas échéant, ce qui est stipulé dans la documentation qui est jointe au Produit.
- 3.3 La garantie ne couvre pas les cas où le Produit : (I) a fait l'objet d'un traitement incorrect ; (II) a été réparé, entretenu ou manipulé par une personne non autorisée ou (III) a été réparé ou entretenu avec des pièces n'étant pas d'origine.
Quand le défaut de conformité du Produit sera la conséquence d'une installation ou d'une mise en marche incorrectes, la présente garantie répondra uniquement lorsque ladite installation ou ladite mise en marche sera incluse dans le contrat d'achat et de vente du Produit et aura été réalisée par le vendeur ou sous sa responsabilité.

GARANTIEZERTIFIKAT

1 ALLGEMEINE GESICHTSPUNKTE

- 1.1 In Übereinstimmung mit diesen Verfügungen garantiert der Verkäufer, dass das Produkt dieser Garantie ("das Produkt") entspricht und dass es im Moment der Übergabe in allen Punkten mit den Anforderungen übereinstimmt.
- 1.2 Der Garantiezeitraum für das Produkt beträgt zwei (2) Jahre und wird ab dem Augenblick der Lieferung an den Käufer gerechnet.
- 1.3 Falls ein Mangel am Produkt auftritt und der Käufer den Verkäufer innerhalb des Garantiezeitraums darüber unterrichtet, muss der Verkäufer das Produkt auf eigene Kosten dort reparieren oder ersetzen, wo es für ihn am günstigsten ist, es sei denn, dies ist unmöglich oder unverhältnismäßig.
- 1.4 Wenn das Produkt weder repariert noch ersetzt werden kann, kann der Käufer einen angemessenen Preismehrsatz beantragen, oder, falls es sich um einen größeren Mangel handelt, die Auflösung des Kaufvertrages.
- 1.5 Die Teile, die aufgrund dieser Garantie ersetzt oder repariert werden, verlängern den Garantiezeitraum für das Originalprodukt nicht. Jedoch existiert für diese Teile eine eigene Garantie.
- 1.6 Um die vorliegende Garantie wirksam werden zu lassen, muss der Käufer das Kaufdatum und das Lieferdatum des Produktes belegen.
- 1.7 Nach Ablauf von sechs Monaten ab Lieferung des Produktes an den Käufer muss, im Falle eines Mangels, der Käufer den Ursprung und das Vorhandensein des angegebenen Mangels belegen.
- 1.8 Das vorliegende Garantiezertifikat schränkt die Rechte, die der Verbraucher aufgrund der herrschenden, nationalen Gesetzgebung hat, nicht ein.

2 SONDERBEDINGUNGEN

- 2.1 Die vorliegende Garantie gilt für die Produkte, auf die sich dieses Handbuch bezieht.
- 2.2 Das vorliegende Garantiezertifikat ist nur in den Ländern der Europäischen Gemeinschaft anwendbar.
- 2.3 Diese Garantie gilt nur, wenn der Käufer alle Anweisungen des Herstellers, die in der produktbegleitenden Dokumentation enthalten sind und für die jeweilige Produktlinie und Modell anwendbar ist, streng einhält.
- 2.4 Wenn ein Zeitplan für den Austausch von Teilen, die Instandhaltung und Reinigung bestimmter Teile oder Produktkomponenten aufgestellt wurde, gilt die Garantie nur dann, wenn dieser Zeitplan korrekt eingehalten wurde.

3 EINSCHRÄNKUNGEN

- 3.1 Die vorliegende Garantie ist nur auf Verkäufe an Verbraucher anwendbar. "Verbraucher" sind alle Personen, die dieses Produkt zu privaten Zwecken erwerben.
- 3.2 Es wird keine Garantie für die normale Abnutzung durch den Gebrauch des Produktes gewährt. Informationen über Teile, Komponenten und/oder verschleißbare Materialien oder Verbrauchsgüter oder Batterien, Glühbirnen etc. finden Sie in der Dokumentation, die das jeweilige Produkt begleitet.
- 3.3 In folgenden Fällen gilt die Garantie nicht: (I) Das Produkt wurde nicht korrekt benutzt; (II) das Produkt wurde von nicht autorisierten Personen repariert, instandgehalten oder bedient oder (III) das Produkt wurde mit nicht originalen Ersatzteilen repariert oder instandgehalten.
Wenn der Mangel auf eine falsche Installation oder Inbetriebnahme zurückzuführen ist, gilt die vorliegende Garantie nur, wenn diese Installation oder Inbetriebnahme in den Kaufvertrag des Produktes eingeschlossen war, und von dem Verkäufer oder auf dessen Verantwortung durchgeführt wurde.

CERTIFICATO DI GARANZIA

ASPETTI GENERALI

- 1.1 Ai sensi delle seguenti disposizioni, il venditore garantisce che il prodotto corrispondente a questa garanzia ("il Prodotto") non presenta alcun difetto di conformità al momento della sua consegna.
- 1.2 Il Periodo di Garanzia per il Prodotto è di due (2) anni a decorrere dal momento della consegna dello stesso all'acquirente.
- 1.3 Nel caso in cui si venisse a produrre un difetto di conformità del Prodotto e l'acquirente lo notificasse al venditore entro il Periodo di Garanzia, il venditore dovrà riparare o sostituire il Prodotto a sue spese nel luogo che consideri opportuno, salvo che ciò risulti impossibile o sproporzionato.
- 1.4 Qualora non fosse possibile riparare o sostituire il Prodotto, l'acquirente potrà richiedere una riduzione proporzionale del prezzo o, nel caso in cui il difetto di conformità fosse sufficientemente importante, lo scioglimento del contratto di vendita.
- 1.5 Le parti sostituite o riparate in virtù della presente garanzia non rappresenteranno un prolungamento della scadenza della garanzia del Prodotto originale, quantunque dispongano di una loro propria garanzia.
- 1.6 Affinché la presente possa essere valida, l'acquirente dovrà attestare la data di acquisto e consegna di del Prodotto.
- 1.7 Una volta trascorsi più di sei mesi dalla consegna del Prodotto all'acquirente, qualora quest'ultimo dichiarerà un difetto di conformità del medesimo, l'acquirente dovrà attestare l'origine e l'esistenza del difetto dichiarato.
- 1.8 Il presente Certificato di Garanzia non limita o preclude i diritti che corrispondano ai consumatori in virtù delle norme nazionali di carattere imperativo.

CONDIZIONI PARTICOLARI

- 2.1 La presente garanzia copre i prodotti ai quali si riferisce questo manuale.
- 2.2 Il presente Certificato di Garanzia avrà vigore unicamente nell'ambito dei paesi dell'Unione Europea.
- 2.3 Per la validità di questa garanzia, l'acquirente dovrà rispettare in maniera rigorosa le indicazioni del Fabricante indicate nella documentazione che viene allegata al Prodotto, quando questa risulti applicabile secondo la gamma e il modello del Prodotto.
- 2.4 Nel caso in cui venga specificato un calendario per la sostituzione, la manutenzione o la pulizia di determinati pezzi o componenti del Prodotto, la garanzia sarà valida solo quando qualora detto calendario sia stato rispettato in maniera corretta.

LIMITAZIONI

- 3.1 La presente garanzia sarà valida unicamente per le vendite realizzate a consumatori, laddove per "consumatori" s'intende quella persona che acquista il Prodotto con scopi che non rientrano nell'ambito della sua attività professionale.
- 3.2 No viene concessa alcuna garanzia nei riguardi del normale consumo per uso del prodotto. In merito ai pezzi, ai componenti e/o ai materiali fusibili o consumabili come pile, lampadine, ecc., ove sussista si applicherà quanto disposto nella documentazione che è allegata al Prodotto.
- 3.3 La garanzia non copre i casi in cui il Prodotto: (I) sia stato oggetto di un uso non corretto; (II) sia stato riparato, manipolato o la manutenzione sia stata effettuata da una persona non autorizzata o (III) sia stato riparato o la manutenzione sia stata effettuata con pezzi non originali. Qualora il difetto di conformità del Prodotto sia conseguenza di una installazione o messa in marcia non corretta, la presente garanzia risponderà solo nel caso in cui la suddetta installazione o messa in marcia sia compresa nel contratto di compravendita del Prodotto e sia stata realizzata dal venditore o sotto la sua responsabilità.

GARANTIECERTIFIKAAT

1 ALGEMENE ASPEKTEN

- 1.1 In overeenkomst met de voorliggende bepalingen wordt door de verkoper gegarandeerd dat het produkt verkocht onder deze garantie ("het Produkt") geen enkel defect vertoont op het moment van levering.
- 1.2 De Garantieperiode voor het Produkt bedraagt twee (2) jaar en is geldig vanaf het moment dat het Produkt aan de koper geleverd wordt.
- 1.3 Indien er zich een defect aan het Produkt zou voordoen en de koper dit zou mededelen aan de verkoper gedurende de geldige Garantieperiode, dan zal de verkoper het Produkt repareren of laten repareren op zijn eigen kosten alwaar de verkoper dit geschikt zou achten, behalve in het geval dat dit onmogelijk of buitensporig zou zijn.
- 1.4 Indien het Produkt niet gerepareerd of vervangen kan worden, dan kan de koper na verhouding prijsreductie aanvragen, of, indien het defect belangrijk genoeg is, de ontbinding van het verkoopcontract aanvragen.
- 1.5 Indien het Produkt niet gerepareerd of vervangen of gerepareerd zijn, kunnen de duur van de Garantieperiode voor het oorspronkelijke Produkt niet verlengen, maar zullen beschikken over een eigen garantie.
- 1.6 Voor de toepassing van deze garantie moet de koper de aankoopdatum en de levering van het Produkt kunnen aantonen.
- 1.7 Indien er meer dan zes maanden verlopen zijn sinds de levering van het Produkt aan de koper, en deze plotseling aangeeft dat het Produkt niet aan de eisen voldoet, dan zal de koper de oorsprong en het bestaan van de volgens hem bestaande defecten moeten kunnen aantonen.
- 1.8 Dit Garantiecertificaat beperkt of veroordeelt niet bij voorbaat de rechten die de gebruikers hebben en die gebaseerd zijn op nationale normen.

2 BIJZONDERE VOORWAARDEN

- 2.1 Deze garantie dekt de producten waarnaar deze handleiding verwijst.
- 2.2 Het huidige Garantiecertificaat is slechts van toepassing in landen van de Europese Unie.
- 2.3 Voor de toepassing van deze garantie en in geval deze garantie van toepassing is al naar gelang de serie en het model van het Produkt, moet de koper de aanwijzingen van de Fabrikant in de documenten die bij het Produkt bijgesloten zijn, strikt opvolgen.
- 2.4 Indien er een tijdsperiode vastgesteld wordt voor de vervanging, het onderhoud of het reinigen van verschillende delen of onderdelen van het Produkt, dan is de garantie alleen geldig in geval deze tijdsperiode strikt aangehouden is.

3 BEPERKINGEN

- 3.1 De huidige garantie is uitsluitend geldig bij verkoop aan gebruikers, waarbij onder "gebruiker" verstaan wordt een persoon die het Produkt aanschaft met een doel dat niet binnen het gebied van zijn professionele activiteiten valt.
- 3.2 Er bestaat geen garantie in verband met normale slijtage bij gebruik van het Produkt. Wat betreft de delen, componenten en/of vervangbare of verbruiksmaterialen zoals batterijen, gloeilampen, enz. zal men zich moeten richten naar hetgeen in de documenten staat die het Produkt vergezellen.
- 3.3 De garantie dekt niet de gevallen waarbij het Produkt (i) onderhevig is geweest aan ongepast gebruik, (ii) gerepareerd, onderhouden of gemanipuleerd is door een persoon die daarvoor geen toestemming heeft, of (iii) gerepareerd of onderhouden is met niet oorspronkelijke onderdelen. Indien het defect van het Produkt het gevolg is van een incorrecte installering of ingebruikneming, dan is deze garantie slechts van toepassing indien de installering of ingebruikneming in kwestie in het contract van koop en verkoop van het produkt opgenomen is en door de verkoper of onder diens verantwoording uitgevoerd is.

CERTIFICADO DE GARANTIA

1 CONDIÇÕES GERAIS

- 1.1 De acordo com estas disposições, o vendedor garante que, no momento da entrega, o produto correspondente a esta garantia ("o Produto") não apresenta nenhum tipo de falta de conformidade.
- 1.2 O Período de Garantia para o Produto é de dois (2) anos, contados a partir da data de entrega ao comprador.
- 1.3 Se, durante o período de garantia, o comprador notificar ao vendedor alguma falta de conformidade do Produto, o vendedor deverá reparar ou substituir o Produto por sua conta no lugar onde considerar conveniente, salvo que isso seja impossível ou desmesurado.
- 1.4 Quando não for possível reparar ou substituir o Produto, o comprador poderá solicitar uma redução proporcional do preço ou, se a falta de conformidade for o suficientemente grave, a rescisão do contrato de venda.
- 1.5 As partes substituídas ou reparadas em virtude desta garantia não ampliarão o período de garantia do Produto original, mas disporão da sua própria garantia.
- 1.6 Para que a presente garantia tenha efeito, o comprador deverá apresentar o comprovante da data de compra e de entrega do Produto.
- 1.7 Se o comprador alegar uma falta de conformidade do Produto, passados mais de seis meses da data de entrega do mesmo, deverá demonstrar a origem e a existência do defeito alegado.
- 1.8 O presente Certificado de Garantia não limita nem afecta os direitos dos consumidores derivados das normas nacionais de carácter imperativo.

2 CONDIÇÕES PARTICULARES

- 2.1 A presente garantia cobre os produtos descritos neste manual.
- 2.2 O presente Certificado de Garantia só será válido nos países da União Europeia.
- 2.3 Para a eficácia desta garantia, o comprador deverá seguir rigorosamente as indicações do Fabricante contidas na documentação fornecida com o Produto, quando a mesma for aplicável em função da gama e do modelo do Produto.
- 2.4 No caso de se estabelecer um calendário para a substituição, manutenção ou limpeza de determinadas peças ou componentes do Produto, a garantia só será válida se o citado calendário tiver sido cumprido rigorosamente.

3 LIMITAÇÕES

- 3.1 A presente garantia só será válida para as vendas realizadas a consumidores, entendendo-se por "consumidor" a pessoa que comprar o Produto com fins não abrangidos no âmbito da sua actividade profissional.
- 3.2 A garantia não cobre o desgaste normal derivado do uso do produto. Em relação às peças, componentes e/ou materiais fungíveis ou consumíveis como pilhas, lâmpadas, etc., terá efeito o disposto na documentação fornecida com o Produto, em cada caso.
- 3.3 Esta garantia não abrangue as seguintes situações: (I) Se o Produto tiver sido objecto de um uso incorrecto; (II) tiver sido reparado, sofrido manutenção ou manipulado por pessoas não autorizadas ou (III) tiver sido reparado ou as suas peças substituídas por peças não originais. Quando a falta de conformidade do Produto for consequência de uma instalação ou colocação em funcionamento incorrecta, a presente garantia só será válida se a referida instalação ou colocação em funcionamento estiver incluída no contrato de compra-venda do Produto e tiver sido realizada pelo vendedor ou sob sua responsabilidade.



CROSSED-OUT WASTE CONTAINER

- 1.1 In order to reduce the amount of waste of electric and electronic apparatus, to reduce the danger of components, to encourage the reuse of apparatus, to assess waste and to set up a suitable waste treatment system, with the aim of improving the efficiency of environmental protection, a set of rules has been established applicable to the manufacture of the product and other rules regarding the correct environmental treatment when these products become waste.
- 1.2 It is also intended to improve the environmental practices of all agents involved in electrical and electronic goods, including manufacturers, distributors, users and particularly those directly involved in the treatment of waste derived from these apparatus.
- 1.3 From 13th August 2005, there are two ways of disposing of this apparatus:
- 1.4 If you purchase a new equivalent apparatus or which has the same functions as the one you wish to dispose of, you can hand it over, free of charge, to the distributor when making your purchase, or
- 1.5 You can take it to local collection points.
- 1.6 We shall cover waste treatment costs.
- 1.7 The apparatus are labelled with a symbol of a "crossed-out waste container". This symbol means that the apparatus is subject to selected waste collection, different from general waste collection.
- 1.8 Our products are designed and manufactured with top-quality, environmental-friendly materials and components, which can be reused and recycled. In spite of this, several parts of this product are not biodegradable and therefore it should not be left in the environment. For the correct recycling of this product, please completely detach the electrical motor from the rest of the filtration equipment.

CONTENEDOR DE BASURA CON RUEDAS TACHADO

- 1.1 Con objeto de reducir la cantidad de residuos de aparatos eléctricos y electrónicos, la peligrosidad de los componentes, fomentar la reutilización de los aparatos, la valorización de sus residuos y determinar una gestión adecuada tratando de mejorar la eficacia de la protección ambiental, se establecen una serie de normas aplicables a la fabricación del producto y otras relativas a la correcta gestión ambiental cuando se conviertan en residuo.
- 1.2 Así mismo, se pretende mejorar el comportamiento ambiental de todos los agentes que intervienen en el ciclo de vida de los aparatos eléctricos y electrónicos, como son los productores, los distribuidores, los usuarios y en particular, el de aquellos agentes directamente implicados en la gestión de los residuos derivados de estos aparatos.
- 1.3 A partir del 13 Agosto de 2005 cuando usted quiera desechar este aparato, tiene dos posibles sistemas de devolución:
- 1.4 Si adquiere uno nuevo que sea de tipo equivalente o realice las mismas funciones que el que desecha, podrá entregarlo, sin coste, en el acto de la compra al distribuidor.
- 1.5 Podrá llevarlo al sitio que destinen las diferentes entidades locales.
- 1.6 Nosotros nos haremos cargo de los costes de gestión.
- 1.7 Los aparatos van etiquetados con el símbolo de un "contenedor de basura con ruedas tachado", este símbolo es indicativo de la necesaria recogida selectiva y diferenciada del resto de las basuras urbanas.
- 1.8 Nuestros productos están diseñados y fabricados con materiales y componentes de alta calidad, respetuosos con el medio ambiente, que pueden ser reutilizables y reciclados. Aun así, los diferentes partes que componen este producto no son biodegradables, por lo que no se deben abandonar en el medio ambiente. Se debe de reciclar por separado, para ello separar el motor eléctrico del resto del equipo de filtración.

POUBELLE À ORDURES SUR ROULETTES BARRÉE

- 1.1 Afin de réduire la quantité de déchets d'appareils électriques et électroniques, afin d'éviter le danger de leurs composants, d'encourager la réutilisation des appareils ainsi que la valorisation de leurs déchets, et de déterminer une gestion appropriée de ceux-ci, en essayant d'améliorer l'efficacité de la protection environnementale, ont été établies de nombreuses normes applicables à la fabrication du produit, et d'autres relatives à la gestion environnementale correcte lorsque ces appareils sont hors service.
- 1.2 De même, on prétend améliorer le comportement environnemental de toutes les personnes qui interviennent dans le cycle de vie des appareils électriques et électroniques, tels que les producteurs, les distributeurs, les utilisateurs et, en particulier, les intervenants directement impliqués dans la gestion des déchets dérivés de ces appareils.
- 1.3 À partir du 13 août 2005, quand vous souhaitez vous débarrasser de votre appareil usagé, vous avez deux façons de vous en débarrasser :
- 1.4 Si vous achetez un nouvel appareil qui est plus ou moins du même genre ou qui réalise les mêmes fonctions que votre appareil usagé, vous pourrez le remettre au distributeur, sans aucun frais à votre charge, au moment de l'achat.
- 1.5 Ou bien vous pourrez le déposer à l'endroit destiné à cette fin par les différents organismes locaux.
- 1.6 Les frais de gestion seront à notre charge.
- 1.7 Les appareils portent une étiquette sur laquelle figure le symbole d'une "poubelle à ordures sur roulettes barrée". Ce symbole indique la nécessité d'une collecte sélective et triée du reste des déchets urbains.
- 1.8 Nos produits sont conçus et fabriqués avec des matériaux et des composants de haute qualité, respectueux de l'environnement, qui sont réutilisables et recyclables. Malgré tout, les différentes parties qui composent cet article ne sont pas biodégradables ; c'est pourquoi, il ne faut pas les mettre au rebut en les jetant dans l'environnement.

DURCHGESTRICHEHEN ABFALLCONTAINERS MIT RÄDERN

- 1.1 Um die Menge an Abfällen, die aus elektrischen und elektronischen Geräten bestehen, zu reduzieren, die Gefahr einzudämmen, die Wiederverwertung der Apparate und die Bewertung dieser Rückstände zu fördern und ein geeignetes Management zu finden, um die Wirksamkeit des Umweltschutzes zu erhöhen, werden eine Reihe von Normen festgelegt, die auf die Herstellung des Produktes angewandt werden, und Normen, die sich auf die korrekte und umweltbewusste Entsorgung beziehen, wenn diese Produkte zu Abfall werden.
- 1.2 Ebenso soll das Umweltbewusstsein aller Beteiligten verbessert werden, die mit den elektrischen und elektronischen Apparaten während deren gesamtem Nutzungszyklus in Kontakt kommen, das sind zum Beispiel die Hersteller, die Vertreter, die Benutzer und insbesondere diejenigen, die direkt mit der Entsorgung der Rückstände zu tun haben, die durch diese Apparate entstehen.
- 1.3 Ab dem 13. August 2005 gibt es zwei Möglichkeiten für die Rückgabe, wenn Sie diesen Apparat entsorgen möchten:



- 1.4 Falls Sie einen neuen, ähnlichen Apparat oder einen, der den gleichen Funktionen dient, erwerben, können Sie das alte Gerät kostenlos beim Kauf des neuen Gerätes an Ihren Verkäufer zurückgeben.
- 1.5 Oder Sie können den Apparat zu einer der öffentlichen Annahmestellen für diese Art von Sondermüll bringen.
- 1.6 Wir übernehmen die Kosten der Entsorgung.
- 1.7 Die Apparate sind mit einem Etikett mit dem Symbol eines „durchgestrichenen Abfallcontainers mit Rädern“ versehen. Dieses Symbol gibt an, dass es sich um Sondermüll handelt, und nicht um gewöhnlichen städtischen Müll.
- 1.8 Unsere Produkte bestehen aus Materialien und Komponenten hoher Qualität, die umweltfreundlich sind und wieder benutzt oder recycelt werden können. Dennoch sind die verschiedenen Teile, aus denen dieses Produkt besteht, nicht biologisch abbaubar, deshalb können sie nicht einfach weggeworfen werden. Um dieser Produkt korrekt zu recycling, bitte den elektrischen Motor von der Filteranlage zerlegen.

CONTENITORE DELLA SPAZZATURA, SBARRATO

- 1.1 Allo scopo di ridurre la quantità di residui di apparati elettrici ed elettronici, la pericolosità dei componenti, promuovere il riutilizzo degli apparecchi, la valutazione dei loro residui e determinare una gestione adeguata cercando di migliorare l'efficacia della protezione ambientale, si stabiliscono una serie di norme applicabili alla fabbricazione del prodotto ed altre relative alla corretta gestione ambientale quando si trasformino in residui.
- 1.2 Allo stesso modo, si cerca di migliorare il comportamento ambientale di tutti gli agenti che intervengono nel ciclo vitale degli apparecchi elettrici ed elettronici, come i produttori, i distributori, i consumatori e, in particolare, il comportamento di quegli agenti direttamente implicati nella gestione dei residui derivati da questi apparecchi.
- 1.3 A partire dal 13 agosto del 2005, quando vorrà disfarsi di questo apparecchio, avrà due possibili sistemi di rottamazione a sua disposizione:
- 1.4 Se acquista un apparecchio nuovo che sia di tipo equivalente o che svolga le stesse funzioni di quello da rottamare, potrà consegnarlo direttamente al distributore, senza alcun costo, al momento dell'acquisto;
- 1.5 Potrà portarlo nel luogo appositamente destinato dai vari enti locali.
- 1.6 Noi ci faremo carico dei costi di gestione.
- 1.7 Gli apparecchi sono etichettati con il simbolo di un "contenitore della spazzatura, sbarrato", questo simbolo indica la necessaria raccolta selettiva e differenziata dal resto della spazzatura urbana.
- 1.8 I nostri prodotti sono progettati e fabbricati con materiali e componenti di elevata qualità, che rispettano l'ambiente, che possono essere riutilizzati e riciclati. Pur in questo caso, le varie parti che compongono questo prodotto non sono biodegradabili, per cui non devono essere abbandonate nell'ambiente. Per il riciclaggio corretto di questo prodotto, stacchi il motore dal resto dell'apparecchio di filtrazione.

EEN DOORGESTREEPTE AFVALCONTAINER MET WIELEN

- 1.1 Teneinde het afval afkomstig van elektrische en elektronische apparaten en de schadelijke effecten van de diverse onderdelen te verminderen, het hergebruik van apparaten en de evaluatie van de effecten van het afval te bevorderen, en een gepast beheer en de bescherming van het milieu te bevorderen, zijn een aantal regels vastgesteld aangaande de fabricage van dit product alsmede de correcte milieubewuste verwerking van het apparaat wanneer het eenmaal wordt afgevoerd.
- 1.2 Bovendien is het de bedoeling de milieubewuste verwerking door alle agenten die bij de gebruikscyclus van de elektrische en elektronische apparaten betrokken zijn te verbeteren, zoals bijvoorbeeld leveranciers, distributeurs, gebruikers, en in het bijzonder de agenten die direct betrokken zijn bij de verwerking van het afval afkomstig van deze apparaten.
- 1.3 Met ingang van 13 augustus 2005 kunt u uit twee mogelijkheden kiezen wanneer u dit apparaat wilt weggoien:
- 1.4 Wanneer u een nieuw exemplaar aanschaf van een vergelijkbaar type of dat dezelfde functies verricht als het weg te gooien exemplaar, kunt u het oude exemplaar zonder kosten bij de distributeur inleveren bij de aankoop van het nieuwe
- 1.5 Of u kunt het naar de afvalverwerking brengen volgens de voorschriften van de lokale overheid.
- 1.6 Wij zullen de kosten van deze handelingen op ons nemen.
- 1.7 De apparaten zijn voorzien van een etiket met het symbool van "een doorgestreepte afvalcontainer met wielen"; dit symbool geeft aan dat het apparaat niet met het gewone afval gemengd en apart verwerkt moet worden.
- 1.8 Onze producten zijn ontworpen en gefabriceerd op basis van materialen en onderdelen van hoge kwaliteit die het milieu ontzien en die hergebruikt en gerecycled kunnen worden. Desondanks zijn de diverse onderdelen van dit product niet biologisch afbreekbaar, zodat deze niet in het milieu achtergelaten mogen worden. Om dit produkt korrekt te recylen, relieve de elektrische motor van de Filterset los maken

CONTENTOR DE LIXO COM RODAS BARRADO COM UMA CRUZ

- 1.1 Com o objetivo de reduzir a quantidade de resíduos dos equipamentos eléctricos e electrónicos, a perigosidade dos componentes, fomentar a reutilização dos equipamentos, a valorização dos seus resíduos e determinar uma gestão adequada tratando de melhorar a eficácia da protecção ambiental, estabelecem-se uma série de normas aplicáveis ao fabrico do produto e outras relativas à correcta gestão ambiental quando se transformam em resíduos.
- 1.2 Do mesmo modo, pretende-se melhorar o comportamento ambiental de todos os agentes que intervêm no ciclo de vida dos equipamentos eléctricos e electrónicos, como são os produtores, os distribuidores, os utilizadores e, em particular, o dos agentes directamente implicados na gestão dos resíduos derivados destes equipamentos.
- 1.3 A partir do dia 13 Agosto de 2005, quando quiser desfazer-se deste aparelho, tem duas possibilidades de devolução:
- 1.4 Se adquirir um novo aparelho que seja de tipo equivalente ou que realize as mesmas funções que o que está a deitar fora, poderá entregá-lo ao distribuidor, sem custo, no acto da compra;
- 1.5 Poderá levá-lo ao local destinado pelas diferentes entidades locais.
- 1.6 Nós assumiremos os custos de gestão.
- 1.7 Os equipamentos são rotulados com o símbolo de um "contentor de lixo com rodas barrado com uma cruz", que indica a necessidade de recolha selectiva e diferenciada do resto dos lixos urbanos.
- 1.8 Os nossos produtos são concebidos e fabricados com materiais e componentes de alta qualidade, respeitadores do ambiente, que podem ser reutilizados e reciclados. No entanto, as diferentes partes que compõem este produto não são biodegradáveis e, portanto, não devem ser abandonadas no meio ambiente. Para a reciclagem correcta deste equipamento, por favor separe o motor eléctrico do resto do aparelho de filtração.

DISTRIBUIDO POR:
MANUFACTURAS GRE. S.A.
C./ ARITZBIDEA N°57, BARRIO TROBIKA
48100 MUNGIA (BIZKAIA) ESPAÑA
TEL. +34 946 74 11 16 · FAX. +34 946 74 17 08
<http://www.gre.es>
N° REG. IND.: 48-06762

Cod. GRE-0008-07

- We reserve the right to change all or part of the features of the articles or contents of this document, without prior notice.
- Nos reservamos el derecho de cambiar total o parcialmente las características de nuestros artículos o contenido de este documento sin previo aviso.
- Nous nous réservons le droit de modifier totalement ou en partie les caractéristiques de nos articles ou le contenu de ce document sans préavis.
- Ci riserviamo il diritto di cambiare totalmente o parzialmente le caratteristiche tecniche dei nostri prodotti ed il contenuto di questo documento senza nessun preavviso.
- Wir behalten uns das Recht vor, die merkmale unserer Produkte und den inhalt dieser beschreibung ohne vorherige unkündigung ganz oder teilweise zu ändern.
- Wij behouden ons het recht voor geheel of gedeeltelijk de kenmerken van onze artikelen of de inhoud van deze handleiding zonder voorafgaand bericht te wijzigen.
- Reservamo-nos no direito de alterar, total ou parcialmente características dos nossos artigos ou o conteúdo deste documento sem aviso prévio.